



Art.-Nr.: 159713
Herst.-Nr.: ALL-CAM2495-LVEFN_Junction_Box

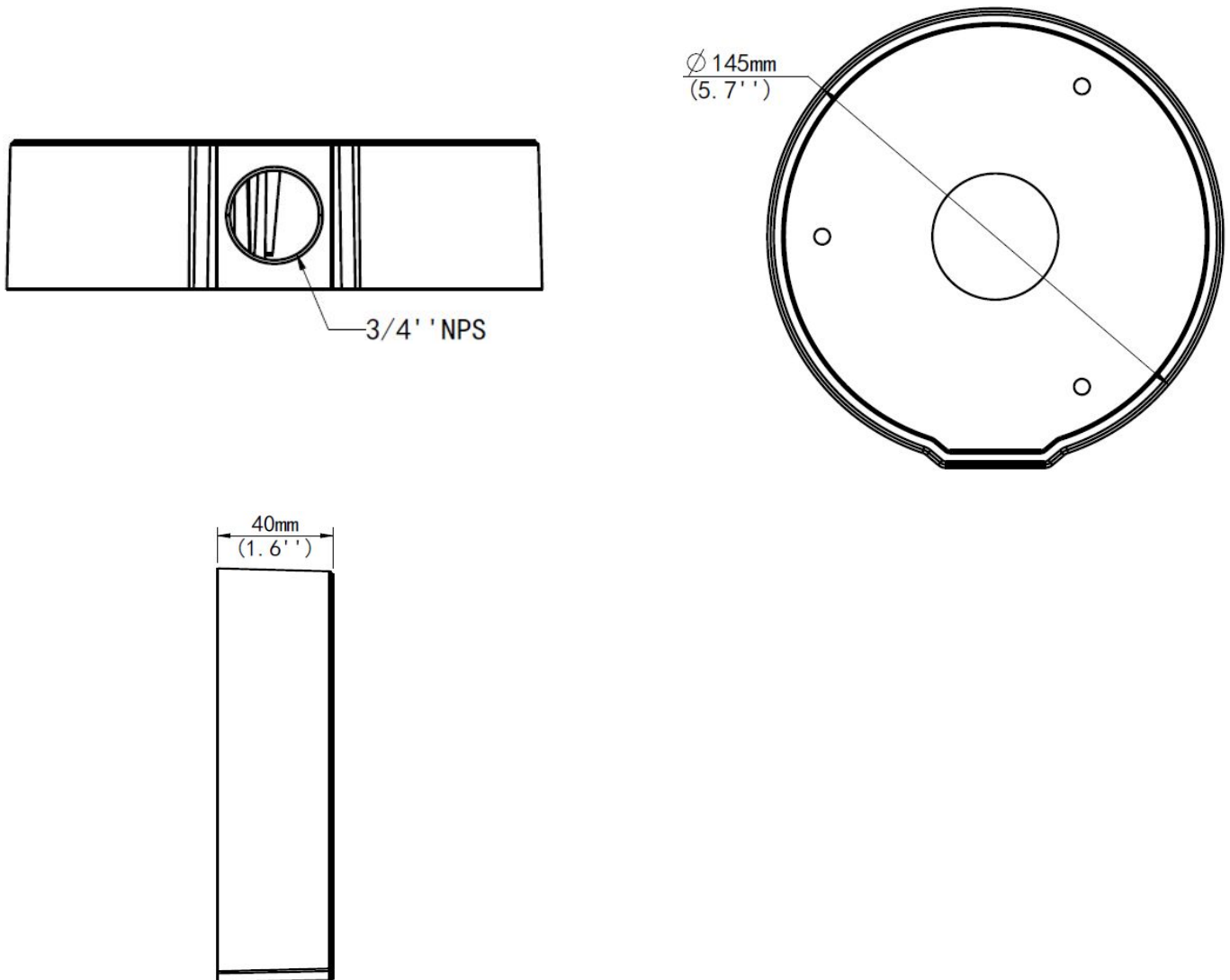
ALLNET ALL-CAM2495-LVEFN zbh. Wallmount mit Junction Box



EAN CODE



Wallmount Installation with Junction Box (Extra back outlet for Cable)
253mmx125mmx125mm (10" x4.9" x4.9")



Zubehör

Art.-Nr.	Name
126946	ALLNET IP-Cam MP Outdoor Mini Bullet Full HD ALL-CAM2397-LE zbh. Junction Box
99305	ALLNET TP Cat 6 Überspannungs-/Blitzschutz ALL95100
139637	ALLNET PoE Injektor Gigabit ALL0488V5 AF/AT 15,4/30W IEC-C14, Kunststoff
112270	ALLNET PoE Injektor Gigabit AT++ 90W ALL048900V2 SMART
113046	ALLNET Switch unmanaged 4 Port Gigabit LT-PoE 90W 1 Port Gigabit PD, lüfterlos, ALL048605PD
99315	ALLNET Switch unmanaged 8 port Gigabit HPoE, 2x PoE+ oder 4x PoE, lüfterlos, internes Netzteil, 19" ALL8804PoE+



Art.-Nr.: 159713

Herst.-Nr.: ALL-CAM2495-LVEFN_Junction_Box

Art.-Nr.	Name
93392	ALLNET Switch unmanaged 8 port Gigabit HPoE, 4x PoE+ oder 8x PoE, lüfterlos, internes Netzteil, 19" ALL8808PoE
124022	ALLNET Switch smart managed 8 Port Gigabit HPoE + 2x SFP Ports 8x HP PoE, lüfterlos, internes Netzteil ALL-SG8310PM
137466	ALLNET Switch full managed 8 Port Gigabit HPoE + 2 Giga Combo Ports (RJ/SFP) ALL-SG8910PM
123236	ALLNET Switch smart managed 24 Port Gigabit PoE, Power Budget 500Watt, 19" ALL-SG8824PM
112082	ALLNET Switch full managed 24 Port Gigabit PoE AT 500W + 2x SFP/SFP+ & 2x SFP+ Stack, 19" Layer2+ ALL-SG8826PMX-10G