

ZXA10 9852G

An Enclosed G.fast DPU



The ZXA10 9852G (V2.0) is an enclosed G.fast DPU that provides 8/16 G.fast ports and supports the 106a and the 212a profiles.



Interfaces

User interfaces

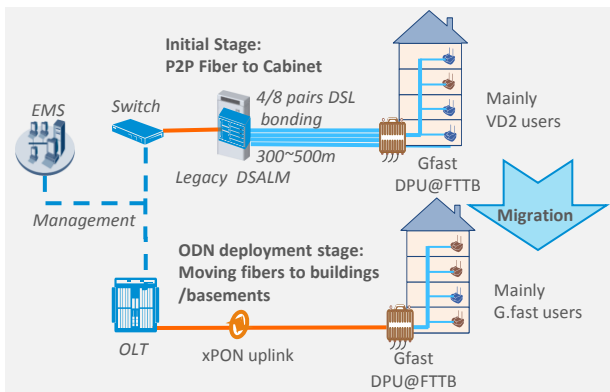
- 16 G.fast ports
- 8 G.fast ports

Uplink interfaces

- GPON
- GE
- DSL bonding
- 10GE

Flexible Backhaul DSL bonding or xPON

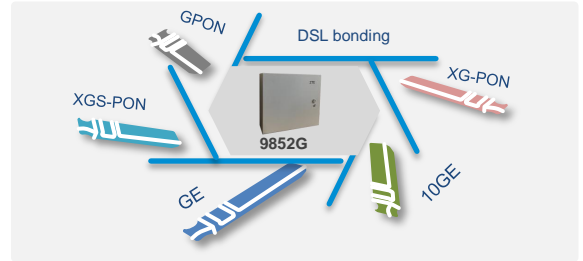
It allows for the reuse of existing copper twisted pairs, which can not only shorten the time to market (TTM) but also enable smooth migration to fiber/xPON at a reduced cost.



Six-in-one backhaul

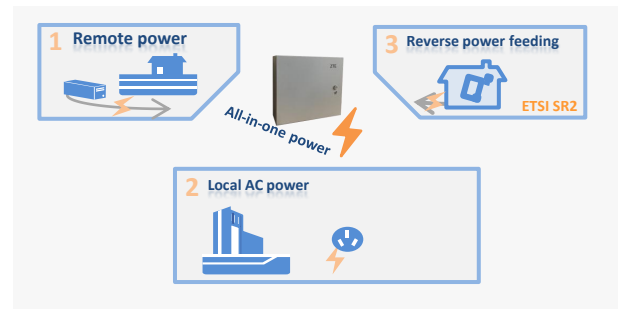
The all-in-one MAC is compatible with multi uplink techs like GE, 10GE, GPON, DSL bonding,

XG-PON(roadmap) and XGS-PON (roadmap).



Flexible and convenient power supply

The all-in-one power integrating AC, remote power, and RPF can adapt to complex and unpredictable power conditions.



Technical specifications

Item	Specification
Dimensions (W x H x D)	410 mm x 405 mm x 160 mm
Installation	Indoor wall mount
Power supply	AC, RPF SR2, RFT, AC+RPF, RFT+RPF
Operating humidity	5% - 95% (non-condensing)
Operating temperature	-20°C - 55°C
IP protection level	IP 53