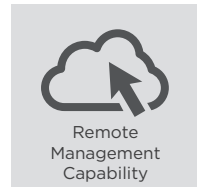
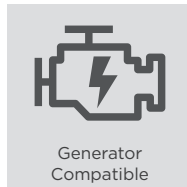
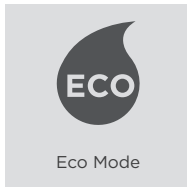
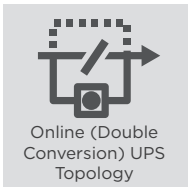


OLS1000ERT2UA/OLS1500ERT2UA
OLS2000ERT2UA/OLS3000ERT2UA

TRUSTWORTHY ONLINE UPS TO SAFEGUARD DATA CENTER



The high-performance online double-conversion UPS that offers reliable power protection

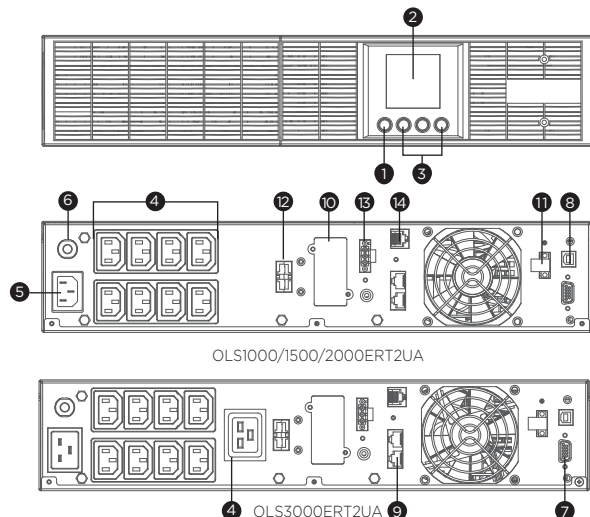
Designed for office and data center applications, the Online S Series adopts double-conversion topology to provide seamless Pure Sine Wave output. The UPSs feature color LCD panel for users to monitor power system and configure settings easily. The products also provide relay-type dry contact to perform local management. Extended battery module auto-detection assists users to estimate UPS's runtime by automatically detecting the quantity of connected Extended Battery Modules (EBM). The variable speed fans provide automatic thermal management based on power load to reduce noise and provide greater comfort for users.

SERIES FEATURES

- Online (Double Conversion) UPS Topology
- ECO Mode
- Generator Compatible
- Overload Protection
- Zero Transfer Time
- Smart Battery Management (SBM)
- Extended Battery Module Auto-detection
- Surge and Spike Protection
- Critical/Non-critical Load Outlets
- EMI and RFI Filtration
- Phone/Fax/Modem/DSL/Network Protection
- Color LCD Status Display
- Variable Speed Fans
- Emergency Power Off (EPO) Port
- PowerPanel® Management Software
- Relay-type Dry Contact
- SNMP/HTTP Remote Management Capability (Optional)

PRODUCT CALLOUTS

1. Power On/Off Switch
2. LCD Display Panel
3. Function Button(s)
4. Battery Backup & Surge Protected Outlets
5. AC Inlet
6. Input Circuit Breaker
7. Serial Port
8. USB Port
9. Communication Protection Ports RJ-11/RJ-45
10. SNMP/HTTP Network Slot
11. EPO Port
12. Extended Battery Module Connector
13. Relay-type Dry Contact
14. Extended Battery Module Detection Connector



TECHNICAL SPECIFICATIONS

Model Name	OLS1000ERT2UA	OLS1500ERT2UA	OLS2000ERT2UA	OLS3000ERT2UA
General				
UPS Topology	Online Double Conversion			
Energy Saving Technology	Online ECO Mode Efficiency > 95%			
Active PFC Compatibility	Yes			
Input				
Generator Compatibility	Yes			
Nominal Input Voltage (Vac)	230 ± 10%			
Input Voltage Range (Vac)	160 - 300	200 - 300		190 - 300
Input Frequency (Hz)	50 ± 10, 60 ± 10			
Input Frequency Detection	Auto-sensing			
Rated Input Current (A)	4.5	9		13
Input Power Factor	0.99			
Input Connector Type	IEC C14			IEC C20
Output				
Capacity (VA)	1000	1500	2000	3000
Capacity (Watts)	900	1350	1800	2700
On Battery Waveform	Pure Sine Wave			
On Battery Voltage(s) (Vac)	208 ± 1%, 220 ± 1%, 230 ± 1%, 240 ± 1%			
Output Voltage Setting	Configurable			
On Battery Frequency (Hz)	50 ± 0.5%, 60 ± 0.5%			
Output Frequency Setting	Configurable			
Power Factor	0.9			
Overload Protection	Internal Current Limiting, Circuit Breaker, Fuse			
Overload Protection (Line Mode)	110-120% Load for 1 min, >120% Load Immediately			
Overload Protection (Battery Mode)	110-120% Load for 10 sec, >120% Load Immediately			
Overload Protection (Bypass Mode)	>130% Load Immediately			
Harmonic Distortion (Linear Load)	THD < 3%			
Harmonic Distortion (Non-linear Load)	THD < 5%			
Outlet(s) - Total	8			9
Outlet Type	IEC C13 x 8			IEC C19 x 1, IEC C13 x 8
Outlet(s) - Battery & Surge Protected	8			9
Outlet(s) - Critical Load (CL)	4			5
Outlet(s) - Non-Critical Load (NCL)	4			
Typical Transfer Time (ms)	0			
Battery				
Runtime at Half Load (min)	11	9	11.9	13.8
Runtime at Full Load (min)	4	3	4	4.3
Typical Recharge Time (Hours)	4			
Smart Battery Management (SBM)	Yes			
User-replaceable	Yes - Qualified Personnel Only			
Battery Type	Sealed Lead-acid			
Extended Battery Module (EBM)	BPSE24V40ART2U	BPSE48V40ART2U		BPSE72V40ART2U
Max. EBM Quantity (pcs)	3			
Surge Protection & Filtering				
Surge Suppression (Joules)	363			388
EMI/RFI Filtration	Yes			
Phone/Network Protection RJ11/RJ45 (Combo)	1-in, 1-out			
Management & Communications				
LCD Panel	Yes			
LCD Orientation	Rotatable LCD - Manual			
HID Compliant USB Port(s)	1			
Serial Port	RS232			
Dry Contact (with Relay)	Yes			
Emergency Power Off (EPO) Port	Yes			
Power Management Software	PowerPanel® Business (Recommended)			
SNMP/HTTP Remote Monitoring	Yes - with optional RMCARD205			
Physical				
Form Factor	Rackmount, Tower			
Physical Size - UPS Module				
Dimensions (WxHxD) (mm.)	438 x 88 x 430			438 x 88 x 610
Weight (kg.)	10.42	13.8	17.15	27.6
Installed Rack Height (U)	2			
Environmental				
Operating Temperature (°C)	0 - 40			
Operating Relative Humidity (Non-condensing) (%)	20 - 90			
Online Thermal Dissipation (BTU/hr)	458	682		1023
Audible Noise at 1.0M from Surface of Unit	24-45 dBA (0-100% load)	32-51 dBA (0-100% load)		31-49 dBA (0-100% load)
Certifications				
Certifications*	CE, EAC			
RoHS	Yes			

*Certifications may vary according to different regions. Visit www.cyberpower.com for more information.
#All specifications are subject to change without notice.



EASY REMOTE POWER MANAGEMENT FOR UPS

The SNMP Card allows users to monitor and manage UPS to perform remote management

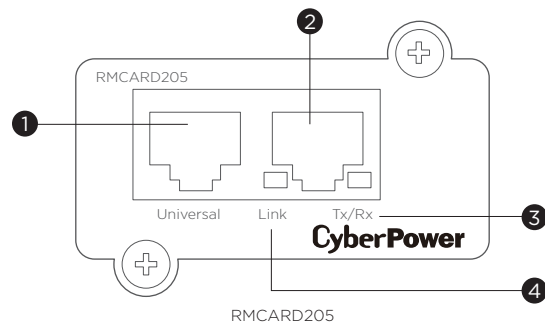
Ideal for UPS systems, the Remote Management Card Series provides remote and local management solution. It is an add-on component which can be inserted into a UPS expansion port, allowing users to easily monitor and control UPS status via web browsers, command line interface, and PowerPanel® Power Management Software. The cards are plug-and-play design, simple to install into compatible UPS. The RMCARDs' user-friendly interface supports multiple languages, easy firmware upgrade, and remote schedule/shutdown/start-up/reboot of UPS.

SERIES FEATURES

- Plug-and-play Installation
- User-friendly Web Interface
- Command Line Interface Supported
- Remotely Schedule Shutdown/ Start-up/ Reboot of the UPS
- Automatic Event Notifications
- Multi-language Supported
- User-upgradeable Firmware
- Syslog Supported
- Secure Authentication
- Compatible with ENVIROSENSOR

PRODUCT CALLOUTS

1. Universal (Serial) Port
2. Ethernet Port
3. Tx/Rx Indicator
4. Link Indicator



TECHNICAL SPECIFICATIONS

Model Name	RMCARD205
Management & Communications	
LED Indicators	Tx/Rx, Link
Connectivity Port	RJ45, RJ45 (for Environmental Sensor)
Data Link Protocol	Ethernet 100Base-TX, Ethernet 10Base-T
Support Plug-and-Play Installation	Yes
Power Management Software	PowerPanel® Business (Recommended for small-medium scale management), PowerPanel® Enterprise (Recommended for large scale management)
User-upgradeable Firmware	Yes
Remote Management	Web Browser, Command Line Interface, NMS
Local Management	Web Interface, Command Line Interface
Event Notifications	E-mail, SNMP Traps, Syslog, SMS
Supported Protocols	IPv4/v6, SNMPv1/v3, HTTP/HTTPS, TCP/IP, UDP, DHCP, NTP, DNS, SMTP, SSH, SSL, TLS, Telnet, FTP, and Syslog
Authentication	RADIUS, LDAP, LDAPS, Windows AD
Multi-language Supported	Chinese (Traditional), Chinese (Simplified), English, French, German, Spanish
Environmental Sensor Supported	Yes
Physical	
Dimensions (WxHxD) (mm.)	54 x 36.1 x 76.5
Weight (g.)	38
Certifications	
Certifications*	CE, FCC Class A, EAC
Cisco Compatibility	Yes
RoHS	Yes

*Certifications may vary according to different regions. Visit www.cyberpower.com for more information.
#All specifications are subject to change without notice.