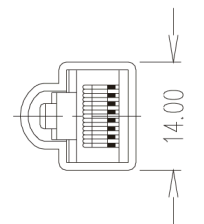
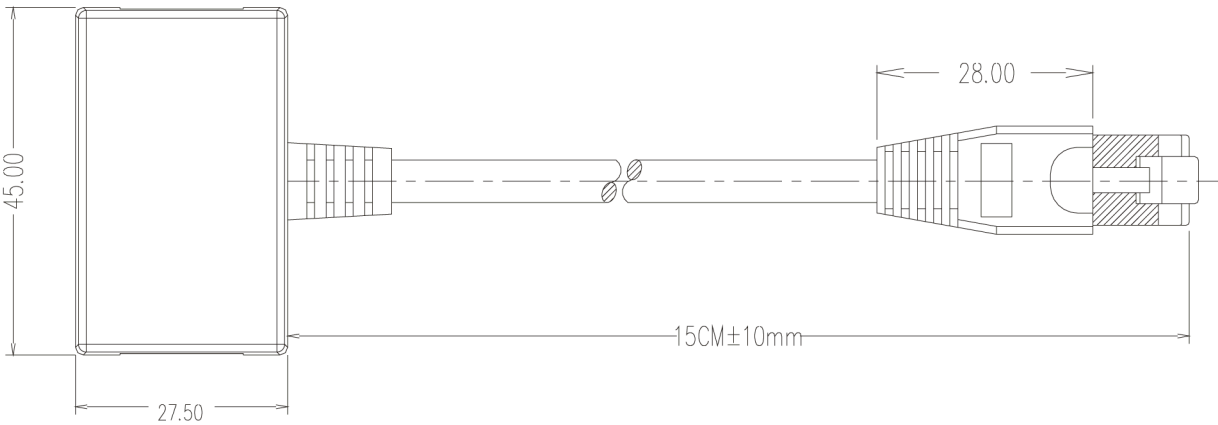
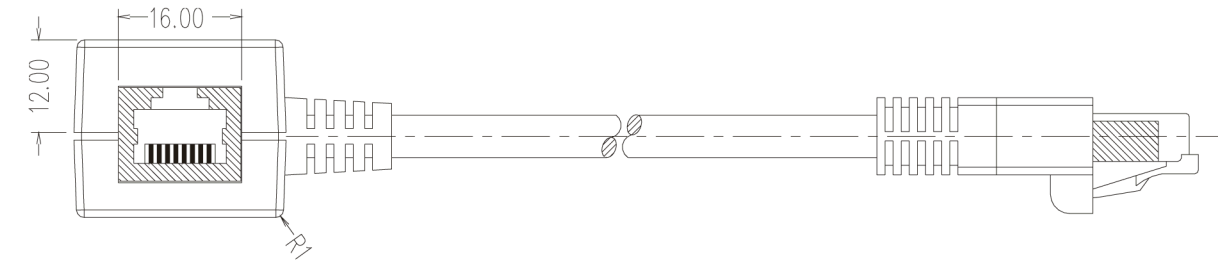
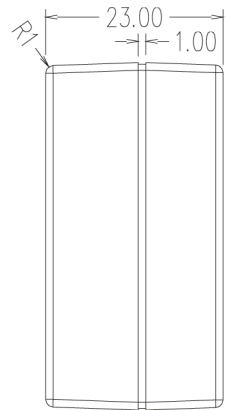
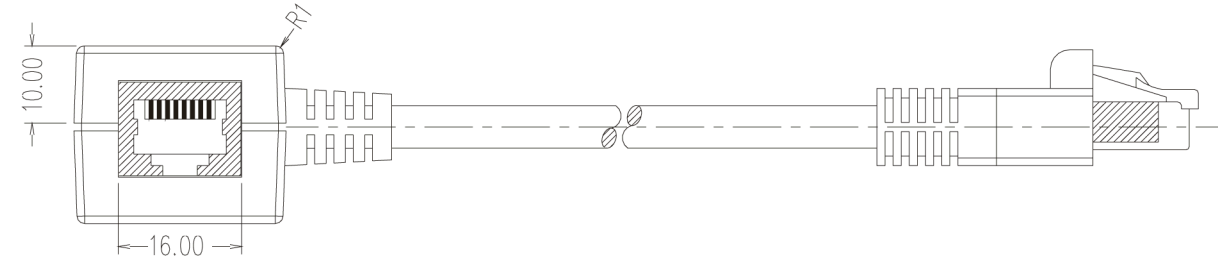


J2-RJ45 JACK



J3-RJ45 JACK



J1-RJ45 PLUG

WIRING INFORMATION:

J1	J2	J3	
1	1	1	100Ω
2	2	2	
3	3	3	100Ω
4	4	4	
5	5	5	100Ω
6	6	6	
7	7	7	100Ω
8	8	8	

SPECIFICATION:

- 1.SURFACE MATERIALS: ABS UL94V-0 COLOR: BLACK
- 2.CONN:RJ45 JACK (8P8C) W/SHIELDED\*2PCS  
RJ45 PLUG (8P8C) W/SHIELDED +BOOT
- 3.WIRE:STP 4 PRS CABLE COLOR:IVORY
- 4.LENGTH:15CM±10mm

		TITLE: ISDN LINE ADAPTER (MINI-S-BUS) (RJ45 PLUG TO 2*RJ45 JACK W/100Ω RESISTOR)	
		DATE: MAY-02-2003	DESIGNED:
		DRAW NO.: K5116.015	APPROVED:
		SCALE: 1:1	ORDER NO.:
UNIT: mm	REV: 1-0		
		TOLERANCE: ±0.20	