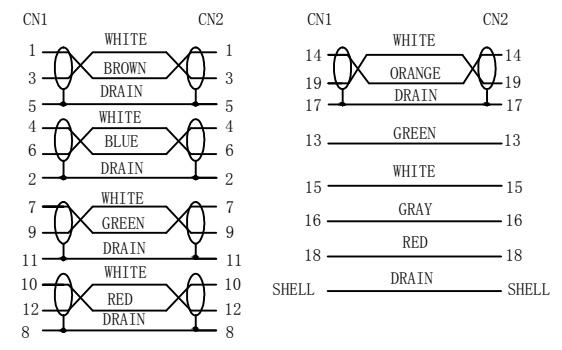


PIN OUT



NOTE:

- Electrical test:
  - 100% open short & miss wire test;
  - Insulation resistance:DC 300V 10M ohm;
  - Contact resistance:3 ohm;
  - Dielectric strength:150V AC/Sec, 1mA.
  - HD-TV TEST 4k\*2k 60hz
- RoHS2.0 AND REACH COMPLIANT
- PRINT WORD:High Speed HDMI® Cable with Ethernet P-19
- PACKING:1PCS/SYNERGY 21 BAG+LABEL

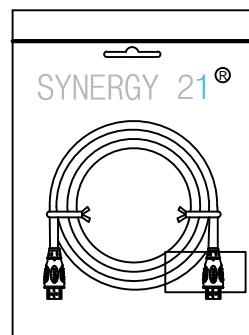
MATERIAL LIST:

NO.	PARTS NAME	SPECIFICATION STANDARD	QT' Y	REMARK
④	OUTER MOLD	PVC 88A Black	2	
③	INNER MOLD	LD-PE	2	
②	HDMI Connector	19P A/M Crimping Type The Pin Gold Plated,The Shell Gold Plating	2	
①	CABLE	HDMI (1/30AWGCCS*1P+E+A+MYLAR)*5+1/30AWG CCS*4C+AE PVC/Black OD:6.0±0.2mm	1	

ITEM NO	LENGTH	PACKING
S215412	500 ± 30mm	SYNERGY 21 Bag A
S215413	1000 ± 30mm	SYNERGY 21 Bag A
S215414	2000 ± 50mm	SYNERGY 21 Bag A
S215415	3000 ± 70mm	SYNERGY 21 Bag B
S215417	1500 ± 30mm	SYNERGY 21 Bag A

NO.	PARTS NAME	SPECIFICATION STANDARD	QT' Y	REMARK
	Alvan	Alvan	Revise Moulding	2019-03-06 A3
			UPDATE PACKING TYPE	2018-03-20 A2
			Add NEW ITEM NO. :S215417	2017-04-07 A1
			NEW	2016-08-09 A
BY	CHK	REVISION RECORD MODIFICATIONS	DATE	REV.

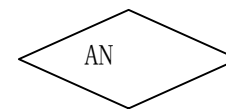
SYNERGY 21					
CUSTOMER			ITEM NO.	See The Chart	
PRODUCT NAME	HDMI2.0 Cable with Ethernet, AM/AM, black color	manufacture country:	CHINA	UNIT	MM
DRAWNBY	CHECKBY	APPROVE	DATE		
SYNERGY 21	SYNERGY 21	SYNERGY 21	2018-03-20		



SYNERGY 2: Colour pantone 877C  
 1: Colour pantone 298C  
 ®: Colour pantone Black  
 Bag thickness single side:0.05mm

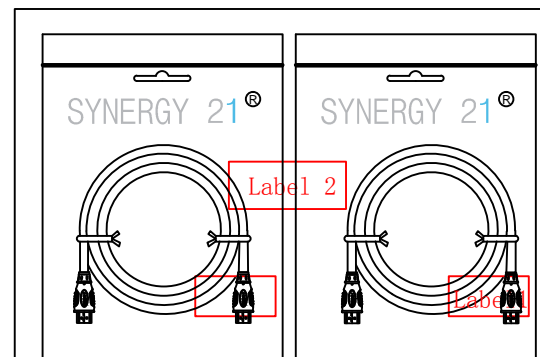
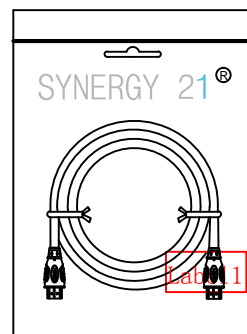
master mark

side mark



REACH and ROHS 2.0 Compliant  
 MADE IN CHINA

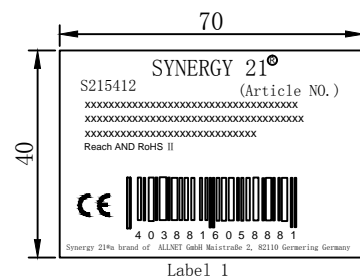
Item no:  
 Q' TY:  
 PO NO.  
 Carton no.  
 G.W



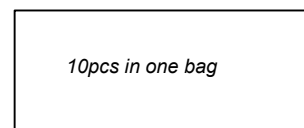
1pcs/SYNERGY 21 Bag+label 1

1pcs/SYNERGY 21 Bag+label 1,10pcs/pe bag+label 2

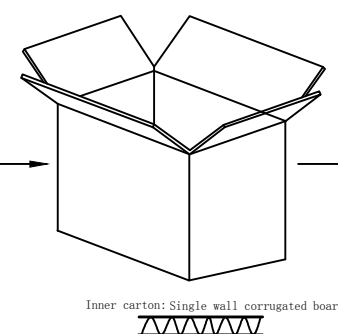
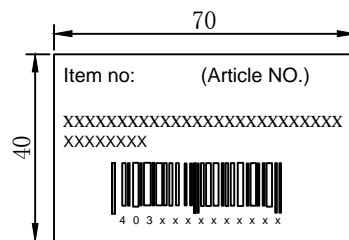
Labeling example 1



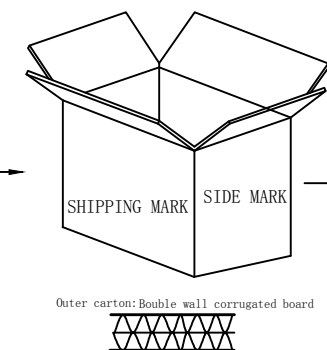
Labeling example 2



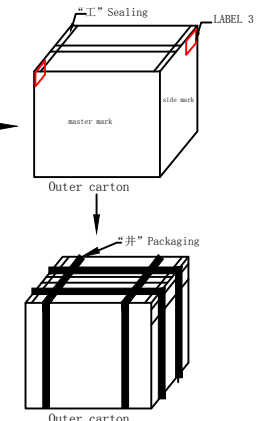
Labeling example 3



Inner carton: Single wall corrugated board



Outer carton: Double wall corrugated board



- 1.Packing:IPC/SYNERGY 21 Bag +LABLE 1, 10PCS/PE bag+LABLE 2, inner carton +outer carton+LABLE3
2. “工” type sealing
3. “井” type packaging

		Revise Moulding	2019-03-06	A3	SYNERGY 21					
		UPDATE PACKING TYPE	2018-03-20	A2	CUSTOMER		ITEM NO.	See The Chart		
		Add NEW ITEM NO. :S215417	2017-04-07	A1	PRODUCT NAME	PACKING	manufacture country:	CHINA	UNIT	MM
		NEW	2016-08-09	A	DRAWNBY	CHECKBY	APPROVE	DATE		
BY	CHK	REVISION RECORD MODIFICATIONS	DATE	REV.	SYNERGY 21	SYNERGY 21	SYNERGY 21	2019-03-06		