

SYNERGY 21[®]

"SYNERGY 2[®]" for black printing The pantone of Color is black c
 "1" for blue printing The pantone of Color is 298C

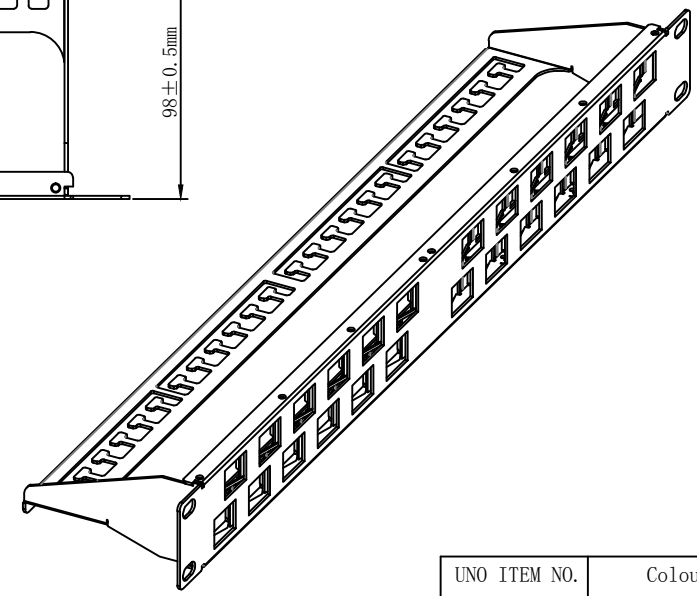
NOTE:

Modular install Front panel with plastic powder cladding
 Material SPCC Thickness:1.2mm Nickel plated
 Suitable for keystone jack modules with width less than 17.4mm
 RoHS 2.0 and REACH Compliant

Accessory:

1. Cable Tie(75X1.9mm) *24pcs
2. Screw and Nut M6*18mm × 4set

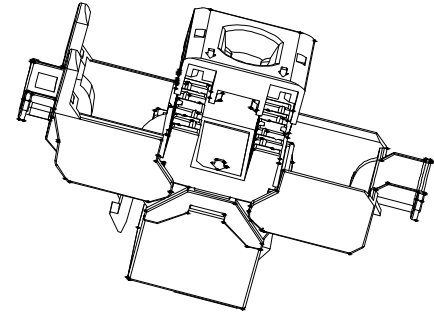
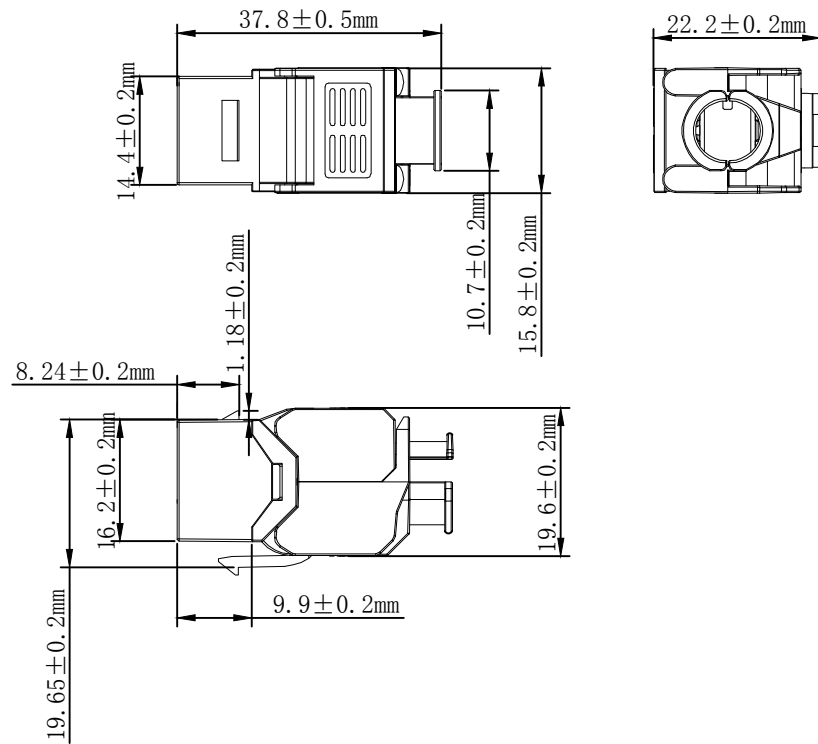
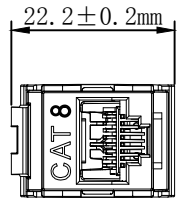
PACKING:1PCS/PE BAG+BOX, 10PCS/Carton



| | |
|--------------|----------------|
| UNO ITEM NO. | Colour |
| S216360 | Gray RAL 7035 |
| | Black RAL 9005 |

| SYNERGY 21 | | | | | | | | | |
|--------------|---|------------|----------------------|--------|------|------------|--|--|--|
| CUSTOMER | | | ITEM NO. | | | | | | |
| PRODUCT NAME | 19"1U 24 ports blank Patch panel, staggered desgin, 45 degree | | manufacture country: | CHINA | UNIT | MM | | | |
| DRAWNBY | | CHECKBY | | APPOBY | | DATE | | | |
| SYNERGY 21 | | SYNERGY 21 | | | | 2020-02-18 | | | |

| | | | | | | | | | |
|-----|-----|-------------------------------|------------|------|------|--|--|--|--|
| NEW | | | 2020-02-18 | A | | | | | |
| BY | CHK | REVISION RECORD MODIFICATIONS | | DATE | REV. | | | | |



NOTES:

ELECTRICAL:

1. Contact Resistance : 20MΩ MAX
2. Insulation Resistance : 500MΩ MIN @ 500V DC
3. Withstand Voltage : DC 1000V AC 700V RMS 60Hz, 1MIN
4. Compliance with Class I up to 2000 MHz to ISO/IEC 11801-1:2017 (Ed. 1. 0)

ENVIRONMENTAL:

1. Storage Temperature : -40°C ~ +70°C
2. Operation Temperature : -10°C ~ +60°C

MECHANICAL

1. MATERIAL: Zinc alloy
2. IDC MATERIAL: PC TERMINAL: PHOSPHOR BRONZE, TIN PLATING
3. RJ45 Contact Life: 750 Times Min
4. Plug inforce: <30N
5. Solid cable: 1/22AWG (0.65MM) - 1/26AWG (0.4MM) ID: 1.1MM - 1.6MM
6. Stranded cable: 22/7-26/7AWG ID: 1.1MM - 1.6MM
7. Cable OD: 5.0mm - 8.5mm
8. PoE per IEEE 802.3af, PoE+ per IEEE 802.3at, PoE++ per IEEE 802.3bt
RoHS 2.0 and REACH Compliant
9. with copper foil in packing.

MATERIAL LIST:

| | | | | |
|---|-------------------|----------------------------------|---|--|
| ⑦ | Housing | Zinc alloy Silver | 1 | |
| ⑥ | RJ 45 JACK INSERT | PHOSPHOR BRONZE 8P8C GOLD PLATED | 8 | |
| ⑤ | PCB | FR-4 1.6mm | 1 | |
| ④ | IDC BODY | White PC | 1 | |
| ③ | IDC PIN | PHOSPHOR BRONZE & TINNED | 8 | |
| ② | LABEL COLOR CODE | T568A/B | 2 | |
| ① | IDC TERMINAL | FOR 22-26AWG CABLE | 1 | |

| NO | PARTS NAME | SPECIFICATION STANDARD | QT' Y | REMARK |
|----|------------|-------------------------------|------------|--------|
| | | NEW | 2020-09-01 | A |
| BY | CHK | REVISION RECORD MODIFICATIONS | DATE | REV. |

| SYNERGY 21 | | | | | | |
|--------------|-----------------------------|----------------------|------------|------|----|--|
| CUSTOMER | ALLNET Computersysteme GmbH | ITEM NO. | S216378 | | | |
| PRODUCT NAME | CAT 8.1 STP KEYSTONE JACK | manufacture country: | china | UNIT | MM | |
| DRAWNBY | CHECKBY | APPOBY | DATE | | | |
| SYNERGY 21 | SYNERGY 21 | SYNERGY 21 | 2020-09-01 | | | |