

Synergy 21 LED light panel 620*620 with standard power supply unit with emergency power supply 15W

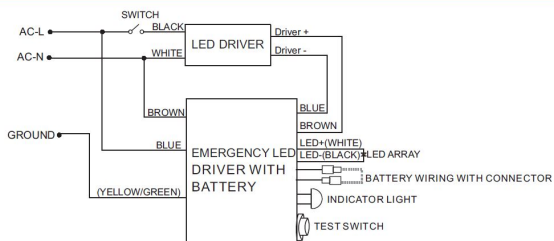


Input: 100-277 V/AC 50/60Hz
Input: 100mA and 7W
Output: 420mA +-5% / 25-42 V/DC / 15 Watt
Charging time: >24h,
Emergency runtime: ~3h
With indicator led and test button
Operating temperature: 0°C to +45°C
LxWxH 300*100*35 mm

Please note that the standard power supply unit is also required.

Additional Images

Wiring

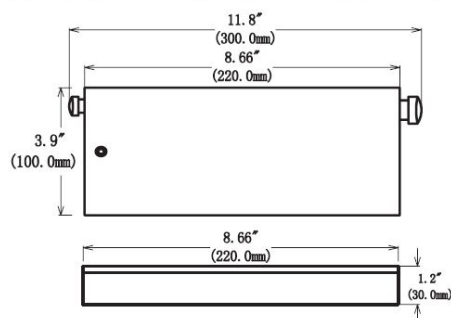


1. DO NOT MATE CONNECTOR UNTIL INSTALLATION IS COMPLETE AND AC POWER IS SUPPLIED.

2. TEST ACCESSORY LEADS-OBSERVE PROPER POLARITY WIRING.

Dimension

8.66"x3.9"x1.2" (220mmx100mmx30mm)



Accessories

| Part No. | Name |
|----------|-------------------------------------------------------------------------------------|
| 149066 | Synergy 21 LED light panel 620*620 35W V3 PRO NW / W |
| 149067 | Synergy 21 LED light panel 620*620 neutral white 35W V3 PRO white UGR<19 |
| 149072 | Synergy 21 LED-Leuchtplatte 620*620 35W V3 PRO KW / W |
| 149073 | Synergy 21 LED light panel 620*620 cool white 35W V3 PRO white UGR<19 |
| 149079 | Synergy 21 LED light panel 620*620 warm white 35W V3 PRO white UGR<19 |
| 149083 | Synergy 21 LED light panel 620*620 warm white 35W V3 PRO white |
| 147265 | Netzkabel 230V Schutzkontakt CEE7(Stecker)->Open End mit Adernendhülsen, 1,8m,Black |