

NOTE:

1. Electrical test:

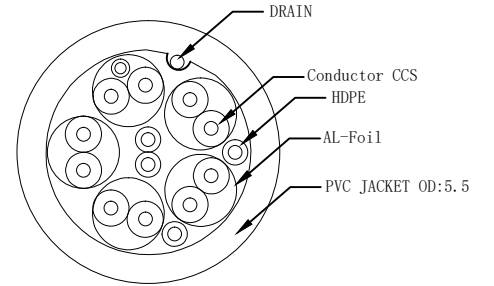
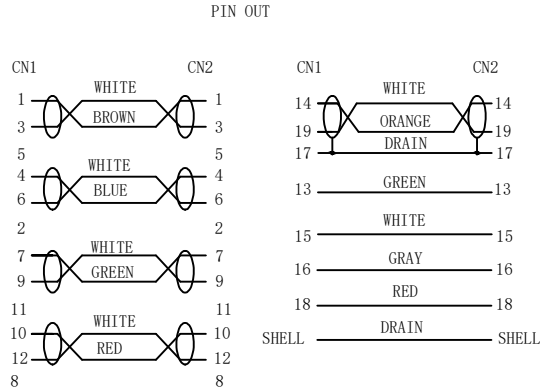
- (1). 100% open short & miss wire test;
- (2). Insulation resistance: DC 300V 10M ohm;
- (3). Contactor resistance: 8 ohm;
- (4) HD-TV TEST 4k*2k 60hz

2. RoHS 3.0 AND REACH COMPLIANT

3. PRINT WORD: High Speed HDMI® Cable with Ethernet

- 4. Operating Temperature: 0°C~45°C
- Storage Temperature: -20°C~ 70°C
- Operation humidity: 10%~85%
- Storage humidity: 10%~85%

5. PACKING: 1pc/Synergy 21 A bag+label



MATERIAL LIST:

④	OUTER MOLD	PVC 88A Black	2	
③	INNER MOLD	LD-PE	2	
②	HDMI Connector	19P A/M Crimping Type The Pin Gold Plated, The Shell Gold Plating	2	
①	CABLE	HDMI (30AWG CCS*1P+A+MYLAR)*4+(30AWG CCS*1P+E+A+MYLAR)*1P+30AWG CCS*4C+AE PVC/Black OD: 5.5±0.2mm	1	
NO.	PARTS NAME	SPECIFICATION STANDARD	QT' Y	REMARK

ITEM NO	LENGTH
S215412V1	500±30mm
S215413V1	1000±30mm
S215417V1	1500±50mm
S215414V1	2000±50mm
S215415V1	3000±70mm

SYNERGY21											
CUSTOMER		ITEM NO.			PRODUCT NAME		manufacture country:		CHINA	UNIT	MM
DRAWNBY		CHECKBY		APPOBY		DATE					
					15+1 HDMI 2.0b Cable with Ethernet, AM/AM		CHINA		UNIT	MM	
SYNERGY21		SYNERGY21		SYNERGY21		2022-09-09					

BY	CHK	REVISION RECORD MODIFICATIONS	DATE	REV.