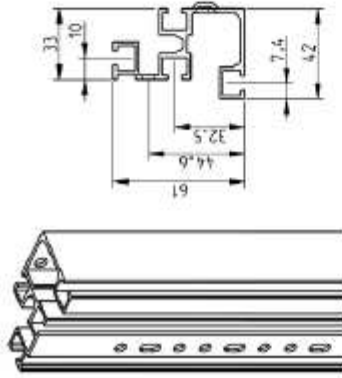


19" vertical extrusion

aluminum with T-slot and increment slide



ITC20018

- For front and rear installation with in the rack.
- Spring nut, variable and adjustable, in U increments (19").
- **Material**
 - Extruded aluminum, polished.
- **Scope of delivery**
 - 1 pair 19" LAN T-Slot, with cross beam (depends on order number), with mounting kit.
- **Note**
 - Maximal loading per pair 400 kg.

W	H	U	Description	Order No.	Units
800	2000	42	19"-LAN T-Slot, with cross beam, for front side	01.157.105.0.003	1 pair
800	2200	47	19"-LAN T-Slot, with cross beam, for front side	01.157.105.0.004	1 pair
800	2000	42	19"-LAN T-Slot, without cross beam, for back side	01.157.106.0.003	1 pair
800	2200	47	19"-LAN T-Slot, without cross beam, for back side	01.157.106.0.004	1 pair
600	2000	42	19"-LAN T-Slot, without cross beam, for front and back side	01.157.102.0.003	1 pair
600	2200	47	19"-LAN T-Slot, without cross beam, for front and back side	01.157.102.0.004	1 pair