

**MATERIAL LIST:**

⑧	PE BAG	SYNERGY 21 SLIP PE BAG	1	
⑦	LABEL	NO DRY GLUE LABEL	1	
⑥	MINI TIE	BLACK	2	
⑤	THUMB SCREW	THUMB SCREW TO BE MOLDED BLACK PVC. NICKEL PLATED SCREW	2	
④	OVER MOLDING	BLACK PVC	2	
③	HDMI CONNECTOR	HDMI 19PIN MALE, BLACK INSULATION, GOLD PLATED CONTACTS, NICKEL PLATED SHELL.	1	
②	DVI CONNECTOR	DVI-D(18+1) MALE, BLACK INSULATION, GOLD PLATED CONTACTS, NICKEL PLATED SHELL.	1	
①	CABLE	(30AWG BC*1P+E+FAM)*4PCS+30AWG BC*3C+30AWG BC*1P+AEB, BLACK PVC JACKET OD: $6.0 \pm 0.2 \text{ mm}$	1	

**NOTE:**

- Electrical test:
  - 100% OPEN AND SHORT TEST
  - CONDUCTOR RESISTANCE: 5 OHMS MAX
  - INSULATION RESISTANCE: 5 MEGOHMS MIN
  - HI-POT: DC200V/0.01S
  - Computer application testing 4K \* 2K@30Hz
- ROHS2.0 AND REACH COMPLIANT
- PRINT WORD: AWM STYLE 20276 80°C 30V VW-1 DVI
- PACKING: 1PCS/SYNERGY 21 bag + LABEL 1, 10PCS/PE BAG+ LABEL 2

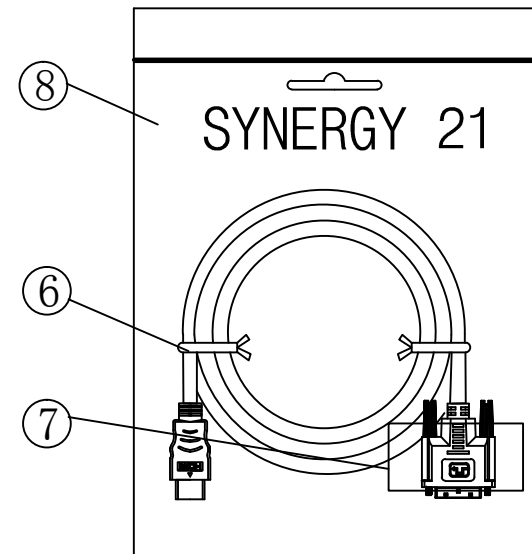
**SYNERGY21**

NO.	PARTS. NAME	SPECIFICATION STANDARD	QT' Y	REMARK	CUSTOMER	ITEM NO.	SEE THE CHART
SYNERGY21		Add Item No. : S215419 S215418	2017. 08. 31	A1	PRODUCT NAME	HDMI 19P A/M-DVI(18+1)/M	manufacture country: CHINA
		NEW	2016. 01. 19	A	DRAWNBY	CHECKBY	APPOBY
BY	CHK	REVISION RECORD MODIFICATIONS	DATE	REV.	SYNERGY21	SYNERGY21	SYNERGY21

2017. 08. 31

Chart:

COLOR:BLACK		
ITEM	LENGTH	PACKING
S215419	1000±30MM	SYNERGY 21 A Bag
S215418	1500±30MM	SYNERGY 21 A Bag
S215403	2000±50MM	SYNERGY 21 B Bag
S215404	3000±70MM	SYNERGY 21 B Bag



					SYNERGY21							
					CUSTOMER			ITEM NO.	SEE TEH CHART			
SYNERGY21		Add Item No. : S215419 S215418			2017. 08. 31	A1	PRODUCT NAME	HDMI 19P A/M-DVI (18+1)/M	manufacture country:	CHINA	UNIT	MM
		NEW			2016. 01. 19	A	DRAWNBY	CHECKBY	APPOBY	DATE		
BY	CHK	REVISION RECORD MODIFICATIONS			DATE	REV.	SYNERGY21	SYNERGY21	SYNERGY21	2017. 08. 31		