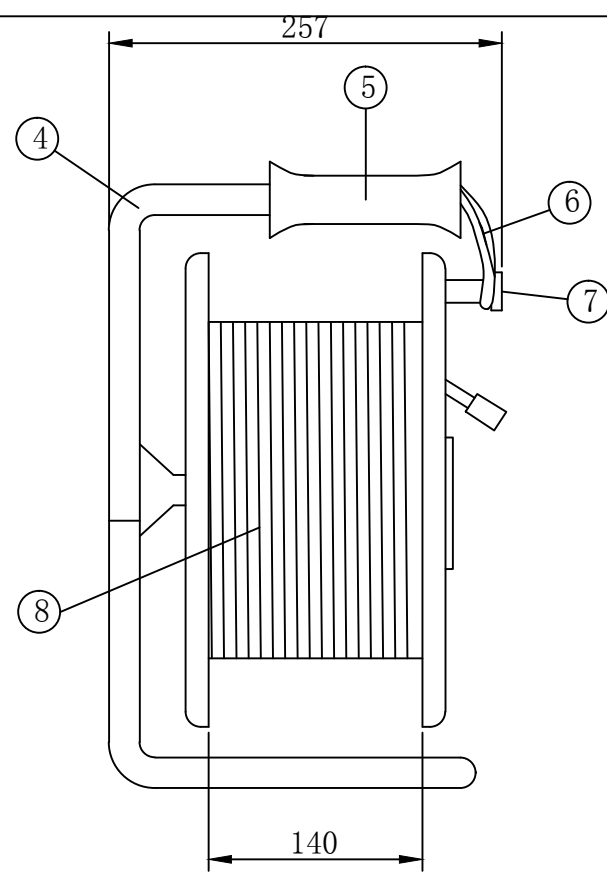
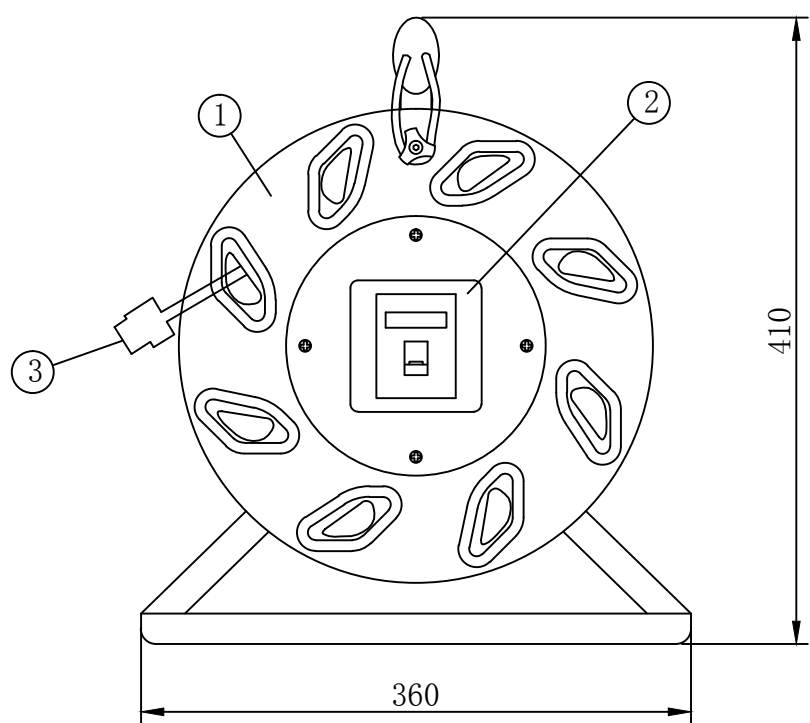


Item No.	Length
	50M
	60M
	70M
	80M
S216820	90M



MATERIAL LIST:

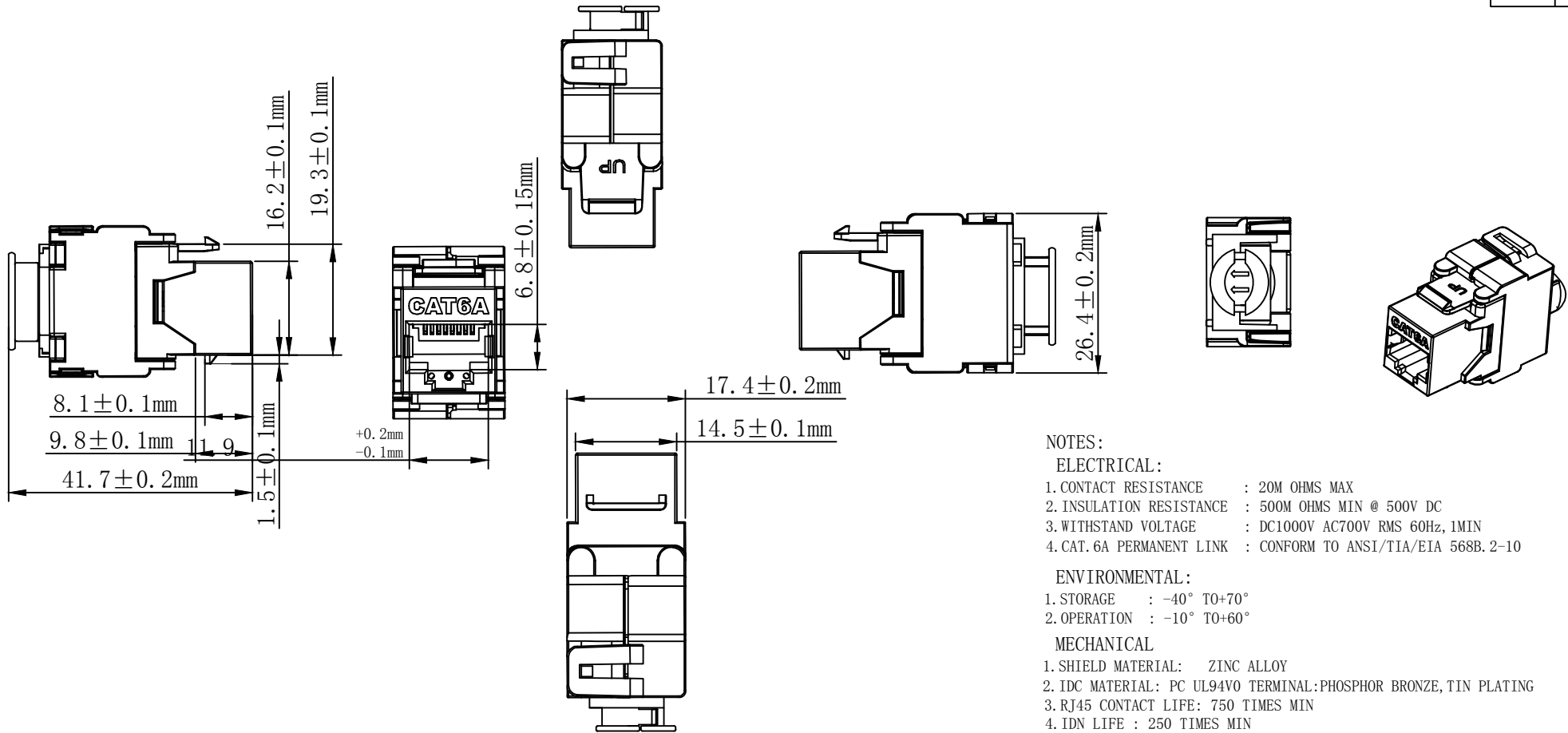
⑧	Cable	CAT7A S/FTP 23AWG 1200MHz BC Solid LSZH Cable Orange RAL2003	1	
⑦	Pillar	Plastic	1	
⑥	Buckle	rubber	1	
⑤	Handle	rubber	1	
④	Support shaft	Iron	1	
③	KEystone JACK	CAT6A STP keystone jack	1	
②	FACE PLATE	86*86mm one-port, Title block with Transparent cover, Dust cap, RAL7035	1	
①	Plastic reel	φ310mm with face plate, Plastic	1	

Notes:

- ISO/IEC 11801:2002 Class Fa 1200MHz
- ISO/IEC EN 50173 Class Fa 1200MHz
- EIA/TIA 568-C 1200MHz
- IEC 60603-7-51
- RJ45 Contacts durability:750 cycles min
- Support PoE per IEEE 802.3af. PoE+per IEEE802.3at
- Operating Temperature:-10~+60°C
- RoHS 2.0 & REACH Compliant

SYNERGY 21

NO.	PARTS NAME	SPECIFICATION STANDARD	QT' Y	REMARK	CUSTOMER	ITEM NO.
					PRODUCT NAME	CHINA
					CAT.7A S/FTP on the mobile spool	UNIT
					manufacture country:	MM
		NEW	2016-06-15	A	DRAWNBY	DATE
					CHECKBY	APPOBY
BY	CHK	REVISION RECORD MODIFICATIONS	DATE	REV.	SYNERGY 21	SYNERGY 21
					SYNERGY 21	2016-06-15



NOTES:

ELECTRICAL:

- 1. CONTACT RESISTANCE : 20M OHMS MAX
- 2. INSULATION RESISTANCE : 500M OHMS MIN @ 500V DC
- 3. WITHSTAND VOLTAGE : DC1000V AC700V RMS 60Hz, 1MIN
- 4. CAT. 6A PERMANENT LINK : CONFORM TO ANSI/TIA/EIA 568B. 2-10

ENVIRONMENTAL:

- 1. STORAGE : -40° TO+70°
- 2. OPERATION : -10° TO+60°

MECHANICAL

- 1. SHIELD MATERIAL: ZINC ALLOY
- 2. IDC MATERIAL: PC UL94V0 TERMINAL:PHOSPHOR BRONZE, TIN PLATING
- 3. RJ45 CONTACT LIFE: 750 TIMES MIN
- 4. IDN LIFE : 250 TIMES MIN
- 5. RJ45 DIMENSION:11.9MM*9.8MM
- 6. WEIGHT: 34.7G

TYPE

- 1. SHIELDED CAT. 6A KEYSTONE JACK
 - 2. COLOUR:SILVERY WHITE
- RoHS 2. 0&REACH COMPLIANT

MATERIAL LIST:

⑦	MODULAR COVER	FIREPROOF PC UL94V0	1	
⑥	RJ 45 JACK INSERT	8P8C 3U" GOLD PLATED	8	
⑤	PCB	1.6mm UL 94V0	1	
④	IDC BODY	FIREPROOF/PC UL 94V0	1	
③	IDC PIN	PHOSPHOR BRONZE & TINNED	8	
②	LABEL COLOR CODE	T568A/B	2	
①	IDC TERMINAL	FOR 22-26AWG CABLE	1	
NO.	PARTS NAME	SPECIFICATION STANDARD	QT' Y	REMARK

		NEW	2016-06-15	A
BY	CHK	REVISION RECORD MODIFICATIONS	DATE	REV.

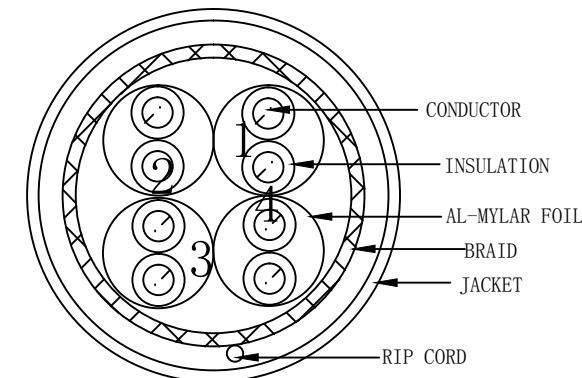
SYNERGY 21					
CUSTOMER		ITEM NO.			
PRODUCT NAME	CAT. 6A STP KEYSTONE JACK	manufacture country:	CHINA	UNIT	MM
DRAWNBY		CHECKBY		APPOBY	
DATE		DATE		DATE	
SYNERGY 21	SYNERGY 21	SYNERGY 21	SYNERGY 21	SYNERGY 21	2016-06-15

SPECIFICATIONS

TITLE: CAT. 7A S/FTP SOLID CABLE 23AWG (BC*1P+AL-MYLAR FOIL) × 4PAIR+BRAID+RIP CORD LSZH JACKET
OD: 7.8 ± 0.5MM

FILE AMEND NOTE	DATE	EDITION
ORIGINALITY EDITION	2016-06-15	A/0

VIEW:



*NOTE:

1. BLUE/WHITE 2. ORANGE/WHITE
3. BROWN/WHITE 4. GREEN/WHITE

MARKING: HIGH SPEED 1200MHz LAN CABLE CAT7A S-FTP 4×2×AWG23/1
LSZH www.Synergy21.de CE 01M...02M...90M

NOTE:

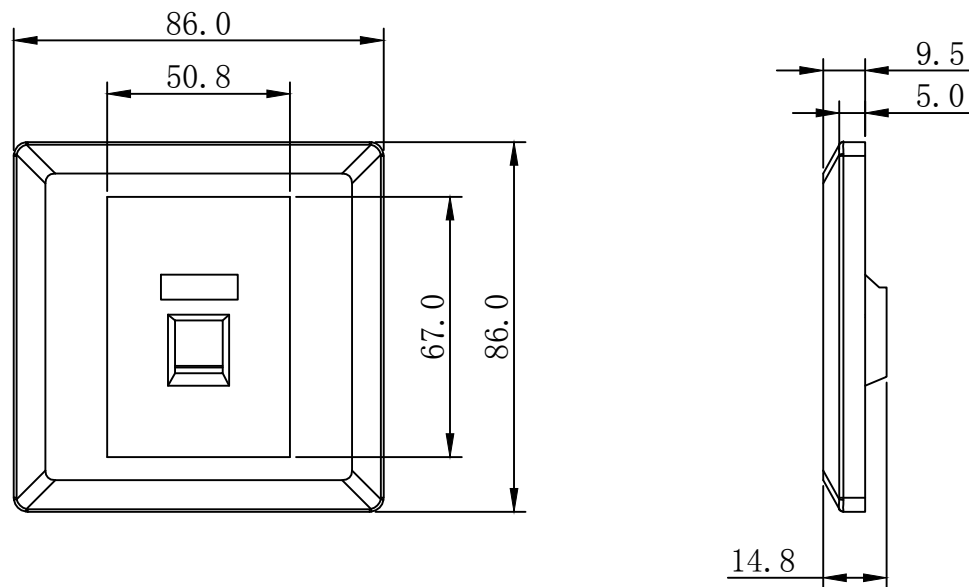
1. Impedance:
4 - 100MHz 100±15 (ohms)
100 - 200MHz 100±22 (ohms)
200 - 1200MHz 100±32 (ohms)
2. Installation Temperature :0°C to 50°C; Operation Temperature:-20°C to 60°C
3. Resistance unbalance (%) max 2.5
4. Max. Conductor DC resistance 20°C 87 (ohms/km)
5. Pair-to-Ground Capacitance Unbalance 330 (PF/100M)
6. Transfer Impedance: Max 10 mohms/m @100MHz
7. Coupling Attenuation: Min 80 dB
8. ROHS 2.0 & REACH COMPLIANT

Frequency (MHz)	Min. RL (dB/100M)	Min. IL (dB)	Max. DOP (dB)	Max. SKEW (ns/100M)	Min. NEXT (dB)	Min. PSNEXT (dB)	Min. ACR-F (dB/100M)	Min. PSACR-F (dB/100M)
4	23.0	3.7	562	25	78.0	75.0	78.0	75.0
8	24.5	5.2	547	25	78.0	75.0	77.2	74.2
10	25.0	5.8	545	25	78.0	75.0	75.3	72.3
16	25.0	7.3	543	25	78.0	75.0	71.2	68.2
20	25.0	8.2	542	25	78.0	75.0	69.3	66.3
25	24.3	9.2	541	25	78.0	75.0	67.3	64.3
31.25	23.6	10.3	540	25	78.0	75.0	65.4	62.4
62.5	21.5	14.6	539	25	75.5	72.5	59.4	56.4
100	20.1	18.5	538	25	72.4	69.4	55.3	52.3
200	18.0	26.5	537	25	67.9	64.9	49.3	46.3
250	17.3	29.7	536	25	66.4	63.4	47.3	44.3
300	17.3	32.7	536	25	65.2	62.2	45.8	42.8
400	17.3	38.0	536	25	63.4	60.4	43.3	40.3
500	17.3	42.8	536	25	61.9	58.9	41.3	38.3
600	17.3	47.1	535	25	60.7	57.7	39.7	36.7
700	17.3	51.1	535	25	59.7	56.7	38.4	35.4
800	17.3	54.9	535	25	58.9	55.9	37.2	34.2
900	17.3	58.5	535	25	58.1	55.1	36.2	33.2
1000	17.3	61.9	535	25	57.4	54.4	35.3	32.3
*1100	17.3	65.2	535	25	56.8	53.8	34.6	31.6
*1200	17.3	68.4	535	25	56.2	53.2	33.7	30.7

ITEMS		UNIT	A (4P)			
CONDUCTOR	SIZE	AWG	23AWG			
	CONSTRUCTION	PCS/mm				
	MATERIAL	/	BC			
	PICKS	mm	/			
INSULATION	MATERIAL	/	PE (Skin-Foam-Skin)			
	DIA.	mm	1.40 ± 0.05mm	1.40 ± 0.05mm	1.40 ± 0.05mm	1.40 ± 0.05mm
	COLOR	/	BLUE/WHITE	ORANGE/WHITE	GREEN/WHITE	BROWN/WHITE
	CONCENTRIC	%	≥90%	≥90%	≥90%	≥90%
	NOM. THICKNESS	mm	0.41 ± 0.05MM			
TWIST	CONSTRUCTION	/	1P	1P	1P	1P
	AL-FOIL	mm u	YES			
	MYLAR	mm u	YES			
	CONTOUR	%	/	/	/	/
	OVERLAPPING	%	/	/	/	/
	DIA.	mm	/	/	/	/
	PICK	mm	/			
	CONSTRUCTION	/	4P			
MYLAR OVERLAPPING	mm u %	/				
DRAIN WIRE	mm	/				
AL-FOIL/OVERLAPPING	mm u %	/				
FILLERS	/	RIP CORD				
PE SKELETON	mm	/				
BRAID/SHIELD	CONSTRUCTION	/	BRAID			
	MATERIAL/COLOR	/	LSZH/Orange RAL2003			
JACKET	OUTER DIA.	mm	7.8 ± 0.5mm			
	CONCENTRIC	%	≥80%			
	NOM. THICKNESS	mm	0.65 ± 0.2MM			

SYNERGY 21

CUSTOMER		NAME	Cat. 7A S/FTP SOLID CABLE		
ITEM NO.		PICTURE SHOWS	TOLERANCE		
manufacture country:	CHINA		X.	± 1.00	
			X. X	± 0.50	
APPROVED	AUDIT	DRAWING	UNITS	mm	
SYNERGY 21	SYNERGY 21	SYNERGY 21	PAGE	3/4	



Materials:

Outlet Housing: Fireproof ABS UL-94V0/Colour:RAL 9010

Outlet Base:Firepfoof ABS UL-94V0/Colour:RAL 9010

ACCESSORY :

1. Screw:M3*25mm*2pcs

RoHS 2.0 & REACH Compliant

SYNERGY 21

CUSTOMER		ITEM NO.	
----------	--	----------	--

					PRODUCT NAME	FACE PLATE 1 PORT	manufacture country:	CHINA	UNIT	MM
		NEW	2016-06-15	A	DRAWNBY	CHECKBY	APPOBY		DATE	
BY	CHK	REVISION RECORD MODIFICATIONS	DATE	REV.	SYNERGY 21	SYNERGY 21	SYNERGY 21		2016-06-15	