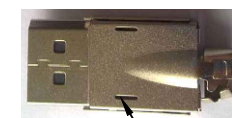
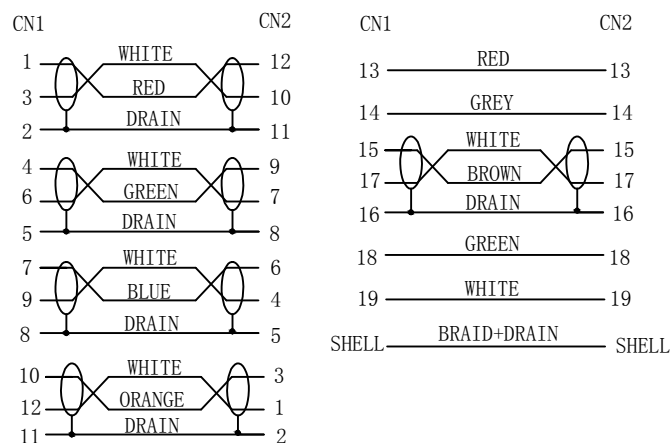


PIN OUT



IRON SHELL SHIELDING

1. Electrical test:

- (1). 100% open short & miss wire test;
- (2). Insulation resistance: DC 300V 10M ohm min;
- (3). Contactor resistance: 3 ohm max;
- (4). Dielectric strength: 150V AC/Sec, 1mA.
- (5). Displayport practical application Test Pass 5k*3k@60HZ

2. ROHS 2.0 AND REACH COMPLIANT

3. PRINT WORD: 5K×3K DisplayPort Cable E***** 兄 AWM STYLE 20276 80°C 30V VW-1

4. DP1.3V version

5. Storage temperature: -20°C~+75°C

6. Operation temperature: -10°C~+60°C

7. Display port Connector without DP logo

8. PACKING: 1PC/SYNERGY 21 Bag+lable

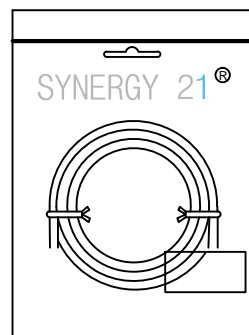
MATERIAL LIST:

NO.	PARTS NAME	SPECIFICATION DESCRIPTION	QT' Y	REMARK
⑥	DUST CAP	LD-PE WHITE	2	
⑤	TUBE END	BLACK PVC 45P	2	
④	INNER COVER	LD PE And Iron Shell Shielding	2	
③	HOUSING	ABS assembly Black	2	
②	CONNECTOR	DP 20P/M WITH LATCHING SOLDER TYPE, BLACK INSULATION, THE PIN GOLD PLATED, THE SHELL FOR GOLD PLATED	2	
①	CABEL	DP 1.3V (30AWG BC*1P+E+AL+MYLAR)*5+30AWG BC*4C+AEB JACKET: PVC/BLACK OD: 6.0 ± 0.2mm	1	

ITEM NO.	LENGTH (mm)	Rolled diameter	Packing
S215437	500 ± 15	90 ± 10mm	SYNERGY 21 A Bag
S215438	1000 ± 20	130 ± 10mm	SYNERGY 21 A Bag
S215439	1500 ± 30	130 ± 10mm	SYNERGY 21 A Bag
S215440	2000 ± 30	130 ± 10mm	SYNERGY 21 A Bag

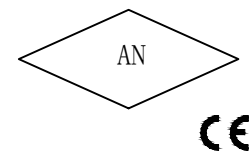
SYNERGY 21

					CUSTOMER			ITEM NO.	SEE THE CHART	
					PRODUCT NAME	DP1.3V Male-Male assembly w/interlock	manufacture country:	CHINA	UNIT	MM
NEW					2019. 03. 07	A	DRAWNBY	CHECKBY	APPOBY	DATE
BY	CHK	REVISION RECORD MODIFICATIONS			DATE	REV.	SYNERGY 21	SYNERGY 21	SYNERGY 21	2019. 03. 07



SYNERGY 2: Colour pantone 877C
 1: Colour pantone 298C
 ®: Colour pantone Black
 Bag thickness single side:0.05mm

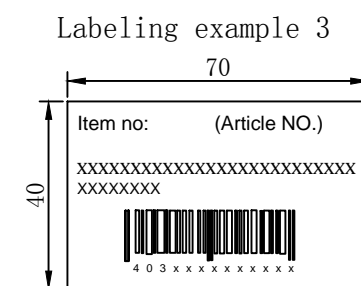
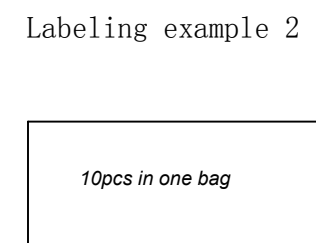
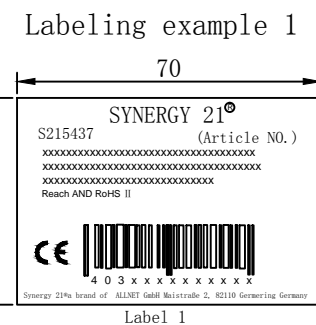
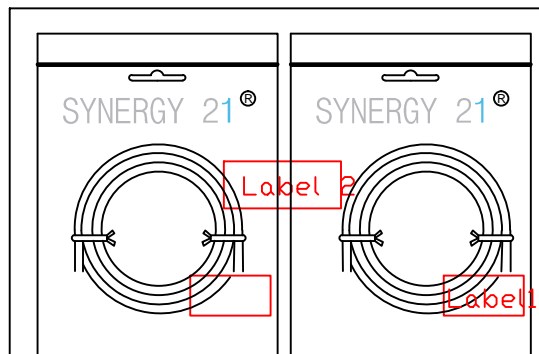
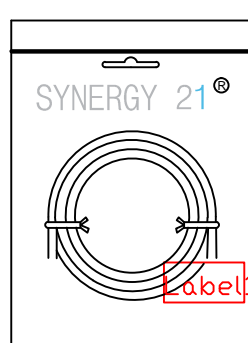
master mark



side mark

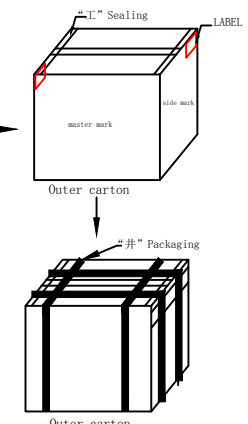
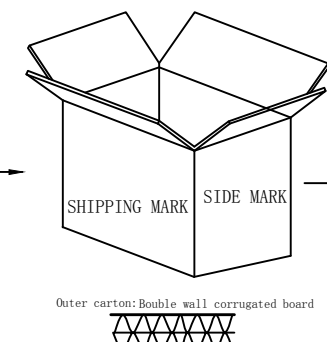
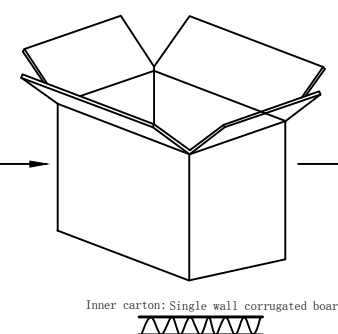
Item no:
 Q' TY:
 PO NO. :
 Carton no.
 G. W

REACH and ROHS 2.0 Compliant
 MADE IN CHINA



1pcs/SYNERGY 21 Bag+label 1

1pcs/SYNERGY 21 Bag+label 1,10pcs/pe bag+label 2



1. Packing: 1PC/SYNERGY 21 Bag + LABEL 1, 10PCS/PE bag+LABEL 2, inner carton +outer carton+LABEL 1
2. “工” type sealing
3. “井” type packaging

SYNERGY 21					
CUSTOMER		ITEM NO.	See The Chart		
PRODUCT NAME	PACKING	manufacture country:	CHINA	UNIT	MM
		APPROVE	DATE		
BY	CHK	SYNERGY 21	SYNERGY 21	SYNERGY 21	2019-03-07

		NEW	2019-03-07	A	DRAWNBY	CHECKBY	APPROVE	DATE
BY	CHK	REVISION RECORD MODIFICATIONS	DATE	REV.	SYNERGY 21	SYNERGY 21	SYNERGY 21	2019-03-07