

## Synergy 21 LED light panel 620\*620 with standard power supply unit with emergency power supply 15W

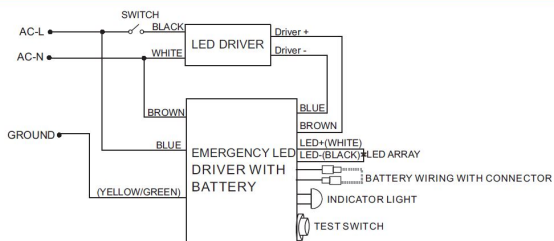


Input: 100-277 V/AC 50/60Hz  
Input: 100mA and 7W  
Output: 420mA +-5% / 25-42 V/DC / 15 Watt  
Charging time: >24h,  
Emergency runtime: ~3h  
With indicator led and test button  
Operating temperature: 0°C to +45°C  
LxWxH 300\*100\*35 mm

Please note that the standard power supply unit is also required.

## Additional Images

## Wiring

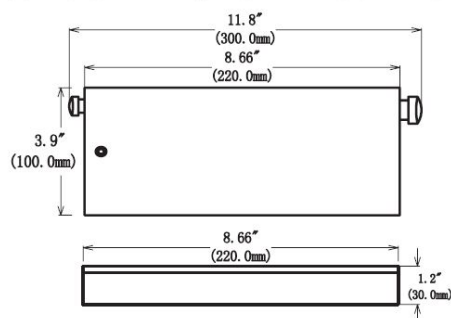


1. DO NOT MATE CONNECTOR UNTIL INSTALLATION IS COMPLETE AND AC POWER IS SUPPLIED.

2. TEST ACCESSORY LEADS-OBSERVE PROPER POLARITY WIRING.

## Dimension

8.66"x3.9"x1.2" (220mmx100mmx30mm)



## Accessories

Part No.	Name
149066	Synergy 21 LED light panel 620*620 35W V3 PRO NW / W
149067	Synergy 21 LED light panel 620*620 neutral white 35W V3 PRO white UGR<19
149072	Synergy 21 LED-Leuchtplatte 620*620 35W V3 PRO KW / W
149073	Synergy 21 LED light panel 620*620 cool white 35W V3 PRO white UGR<19
149079	Synergy 21 LED light panel 620*620 warm white 35W V3 PRO white UGR<19
149083	Synergy 21 LED light panel 620*620 warm white 35W V3 PRO white
147265	Netzkabel 230V Schutzkontakt CEE7(Stecker)->Open End mit Adernendhülsen, 1,8m,Black