

Quickmanual
ALLNET Vesa Mount

Product No.: 235165



Table of contents

Package Contents	2
General	3
Conventions and symbols	3
Warnings	3
EU contact details:	4
Disposal of packaging	4
Ordinance	4
Disposal of the device	4
General Security	5
Mounting	6

Package Contents

Please check the contents of the packaging before proceeding with the commissioning of the display.

- 4x M4x14 screw for Display Vesa
- 4x M5x14 screw for Display Vesa
- 4x D5 washer
- 2x wall mounting screw
- 2x wall plug
- 2x washer Wall bracket
- 1x Vesa Wallplate
- 1x Vesa Display Plate

General

The Vesa mount is suitable for mounting displays on the wall. Display sizes from 13-27 inches up to max. 25 kg are recommended. Vesa mounting size 75x75 and 100x100 is possible. The material is steel with powder coating.

Conventions and symbols

The following text formats are used in this guide. These serve to increase the clarity of the instructions.

Warnings

The warnings in this instruction manual are structured according to the following scheme:

 **DANGER**

The signal word "**DANGER**" indicates a warning of imminent danger to life!

 **WARNING**

The signal word "**WARNING**" indicates a warning of possible danger to life and/or serious irreversible injury!

 **ATTENTION**

The signal word "**CAUTION**" indicates a warning of possible medium and/or minor injuries!

 **RISK**

The signal word "**ATTENTION**" indicates possible property damage.

 **NOTICE**

"**Notice**" indicates useful or important information about the product.

EU contact details:

ALLNET GmbH Computersysteme Maistrasse 2 82110 Germering

Phone +49 (0)89 894 222 - 22

Fax +49 (0)89 894 222 - 33

Email: info@allnet.de

Disposal of packaging

Choking hazard from films and other packaging materials. Do not leave the packaging and its parts to children. Dispose of the packaging in an environmentally friendly manner. Ask the retailer or the municipal waste disposal facility about the possibilities of environmentally friendly and proper disposal of the packaging.

Ordinance

This product contains the following materials:

Outer packaging: Cardboard PP02

Innverpackung: Polyethylen PE04

Material: Paper

Disposal of the device



Old appliances are not worthless waste. Valuable raw materials can be recovered through environmentally friendly disposal. This equipment is labelled in accordance with Directive 2012/19/EU on waste electrical and electronic equipment (WEEE). This product must not be disposed of with normal household waste at the end of its life, but must be handed in

at a collection point for the recycling of electrical and electronic equipment. The symbol on the product, the instructions for use or the packaging indicates this. The materials are recyclable according to their labelling. The reuse, material recycling or other forms of recycling of old appliances make an important contribution to the protection of the environment. Ask the dealer or the municipal waste disposal facility

about the possibilities of environmentally friendly and proper disposal of the device.



As a consumer, you are obliged to hand in all batteries and rechargeable batteries, regardless of whether they contain harmful substances or not, to a collection point in your municipality/district or to retailers so that they can be disposed of in an environmentally friendly manner.

General Security



RISK

The product is intended exclusively for the intended purpose. Use the item only as described in the user manual. Any other use is considered not intended and may result in property damage.

The manufacturer or distributor assumes no liability for damage caused by improper or incorrect use. All safety instructions should be read carefully and this instruction manual should be kept for later questions. All warnings and instructions in this instruction manual must be followed.

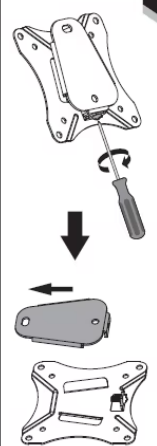
Keep the instruction manual and hand it over to a possible new owner.

WARNING

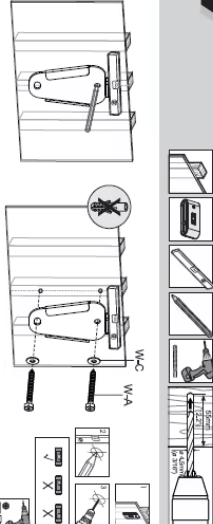
Please be sure that you always use screws for wall mountings which are stable and strong enough. For larger Displays/Devices with more weight it could be necessary to use different screws as in packing included. The manufacturer cannot be held liable for incorrect installation. If you are not sure, hire a craftsman.

Mounting

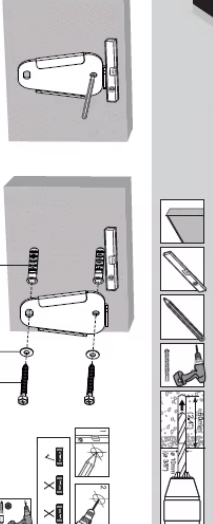
1



2a

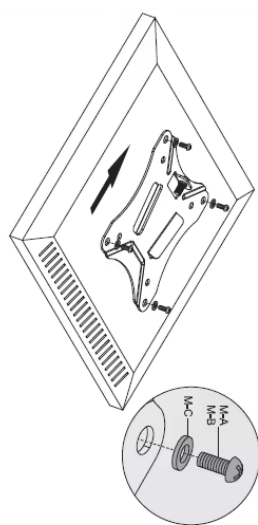


2b



M4x14 (x4) M-A	M5x14 (x4) M-B	D5 (x4) M-C
W-A (x2)	W-B (x2)	W-C (x2)

3



4

