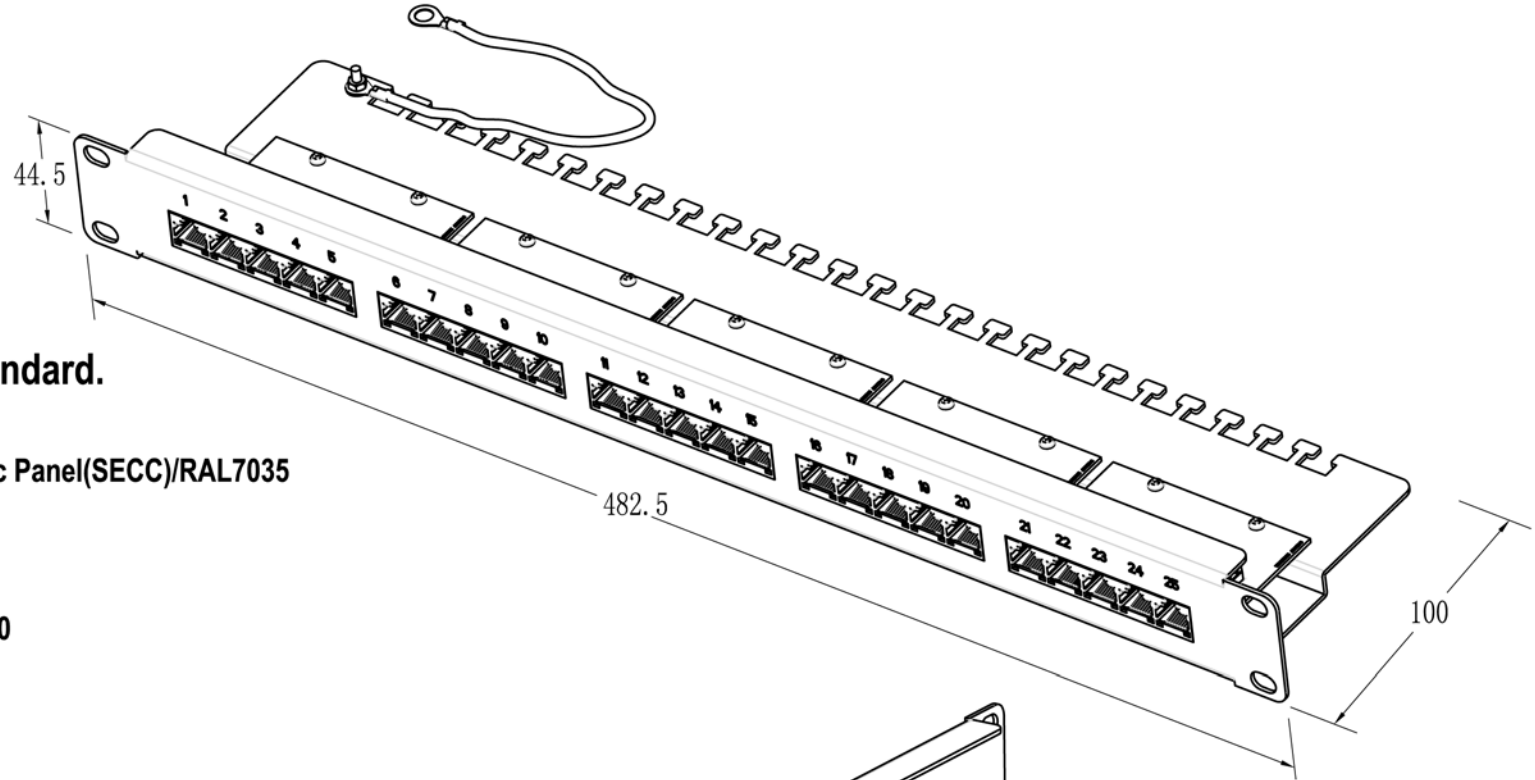


Cat.3 25 Port Vertical Patch Panel



Performance:

Meets Cat.3 EIA/TIA 568A Standard.

Materials:

Bottom Panel: 1.5mm thickness Metallic Panel(SECC)/RAL7035

RJ-45 Jack : Housing-PBT/
UTP RJ45-jacks UL-94V0

PCB : FR-4/1.6mm UL-94V0

IDC Body : Fireproof PC/ABS UL-94V0

IDC Pin : Bronze & Tinned

IDC Terminal: For 22-26 AWG Cable

Electrical Specifications:

Insulation Resistance: 500M ohms (min.)

Contact Resistance: 20m ohms (max.)

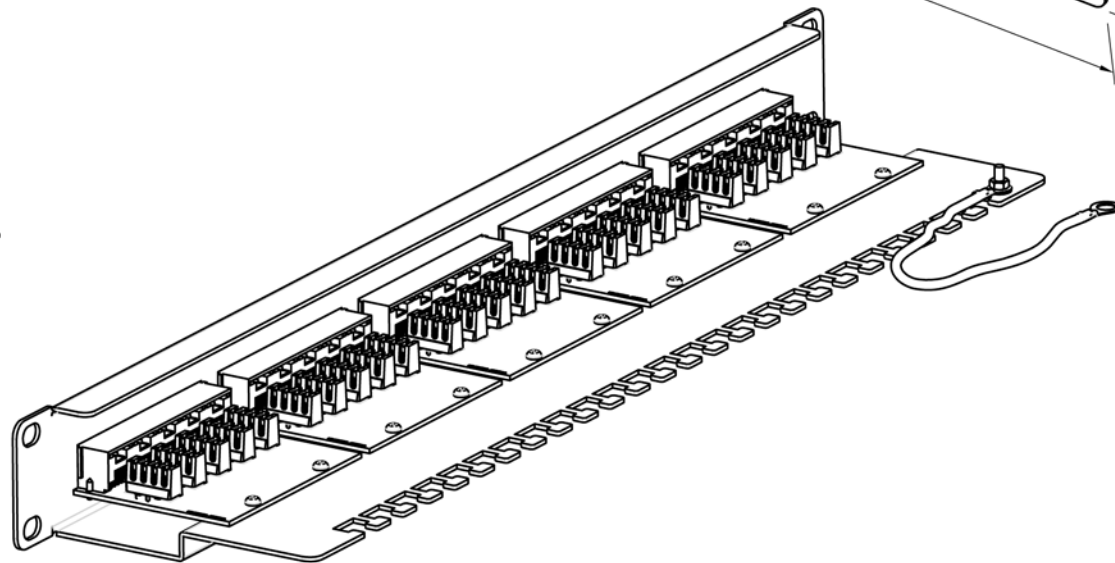
Current Rating : 1.5 Amps.

Withstanding Voltage : 1000 VAC RMS @ 60Hz/ 1 min.

Mechanical Specifications:

IDC Punch Down Cycle : Over 25 Cycles (min.)

RJ-45 Jack Insertion Cycle : Over 200 Cycles (min.)



Accessory:

1. Cable Tie(75X2.4mm)X25Pcs

2. Instruction Sheet

ROHS compliant