

# AXIS T98A15-VE Media Converter Cabinet A

## A robust cabinet for easy installation of critical system equipment



- > Standalone
- > Pre-configured media converter
- > Ease of installation
- > Protect your installation

AXIS T98A15-VE Media Converter Cabinet A is a unique, outdoor-ready cabinet, specially designed for Axis cameras. It offers pre-configured components for usage together with fiber installations.

AXIS T98A15-VE is a part of a cabinet series that protects your installation against vandalism and tampering acts. The series is weatherproof against the ingress of dust, water, ice and outside temperature. It represents a system solution that is designed for electrical safety and ease of installation to save you time and money in the field.

To simplify installation even further, when fiber installation is a requirement, AXIS T98A15-VE Media Converter Cabinet A comes with power supply, electrical safety kit and media converter pre-installed. It can be used stand-

alone where network camera installation on the cabinet is not possible. All cabinets in the series come with a mounting plate to simplify installation and cable protection.

With the 12 V DC model the temperature range meets camera's temperature specifications.

AXIS T98A-VE cabinet series is ideal in city surveillance or critical infrastructure installations where a sturdy, vandal-resistant and water-protected box is a must.

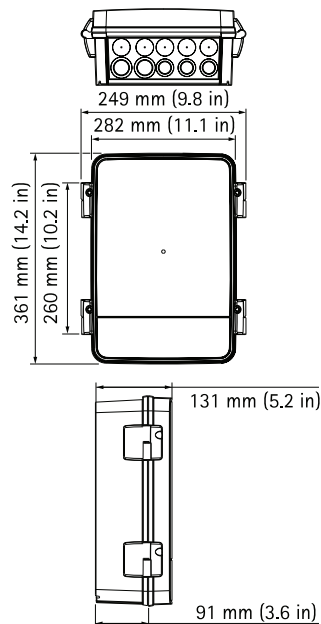
# Technical Specifications - AXIS T98A15-VE Media Converter Cabinet A

<b>Models</b>	<b>AXIS T98A15-VE Media Converter Cabinet A</b> Available either with 120 V AC or 230 V AC	IEC/EN/UL 60950-1, IEC/EN/UL 60950-22, UL 50, UL 50E 120 V AC: FCC Part 15 Subpart B Class A, VCCI Class A, ICES-003 Class A, C-tick AS/NZS CISPR 22 Class A 230 V AC: EN 55022 Class A, EN 61000-3-2, EN 61000-3-3, EN 61000-6-1, EN 61000-6-2, EN 55024, C-Tick AS/NZS CISPR 22 Class A
<b>General</b>		
<b>Supported cameras</b>	Cameras using 12 V DC input. For full compatibility please see: <a href="http://www.axis.com/products/video/accessories/configurator/">http://www.axis.com/products/video/accessories/configurator/</a>	
<b>Casing</b>	Polycarbonate cabinet and stainless steel mounting plate Color: White NCS 1002-B and stainless steel	
<b>Environment</b>	Indoor/Outdoor	
<b>Power</b>	Input (120 V AC): 90-175 V AC, Max. 4 A Input (230 V AC): 90-264 V AC, Max. 4 A Output: 12 V DC, 20 W	
<b>Connectors</b>	2x RJ45 connectors (10/100 Mbps) 2x SFP connectors (100/1000 Mbps) for SFP fiber optic modules or SFP to copper modules	
<b>Operating conditions</b>	-40 °C to 65 °C (-40 °F to 149 °F) Humidity 10-100% RH (condensing)	
<b>Approvals</b>	EN 50121-4, IEC 62236-4, EN 50581, IEC/EN 60529 IP66, NEMA 250 Type 4X, IEC/EN 62262 IK10, REACH, WEEE, CE, IEC 60068-2-6 4M4, IEC 60068-2-27 4M4,	
		<b>Weight</b> 4.4 kg (9.7 lb)
		<b>Installation &amp; Configuration</b> AXIS T98A15-VE Surveillance Cabinet, AXIS Electrical Safety Kit <sup>a</sup> , Power Supply DIN CP-D 12/2.1 25 W, AXIS T8604 Media Converter Switch
		<b>Included accessories</b> Installation guide, Pre-mounted cable gaskets, Pre-mounted DIN rails, Cable clamps, Pre-mounted power cover for MCB fuse
		<b>Optional accessories</b> AXIS Cabinet Lock A, AXIS Door Switch A, AXIS T98-VE Sunshield, AXIS T95A64, AXIS T95A67
		<b>Warranty</b> Axis 3-years warranty, see more information at <a href="http://www.axis.com/warranty">www.axis.com/warranty</a>

a. Not including door switch

More information is available at [www.axis.com](http://www.axis.com)

## Dimensions



## Optional accessories

1. AXIS T98-VE Sunshield
2. AXIS T95A67
3. AXIS T95A64
4. AXIS Cabinet Lock A
5. AXIS Door Switch A

