



ALLNET

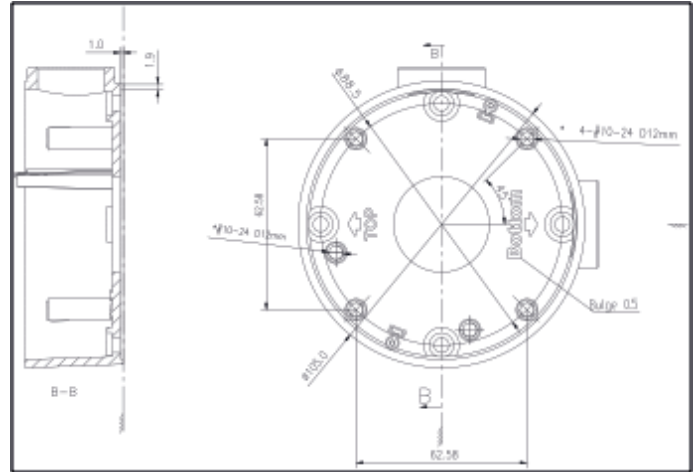
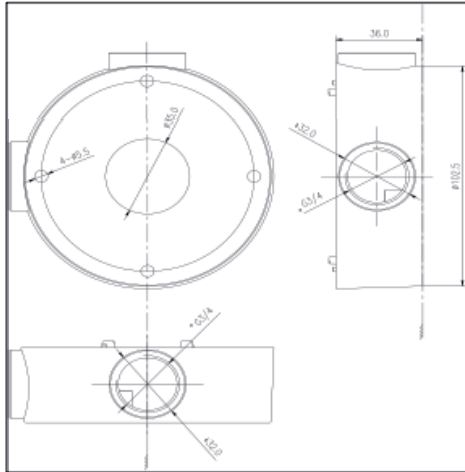
ALL-CAM2396-LEF_Junction_Box

Junction Box for Bullet Camera

- Aluminum alloy material with surface spray treatment

Art. Nr. 124639

Dimension



Note: The actual dome camera may vary from the picture above.

Order Model

ALL-CAM2396-LEF_Junction_Box

Parameter

Model	ALL-CAM2396-LEF_Junction_Box
Parameters	Junction Box for Bullet Camera
Appearance	White
Material	Aluminum Alloy
Dimension	Φ88.5 mm
Weight	251g

Notice

- The bracket should be installed on flat wall
- Waterproof rubber is necessary for outdoor application
- The wall must be capable of supporting over 3 times as much as the total weight of the camera and the mount.
- The maximum load capacity of the bracket is 4.5KG