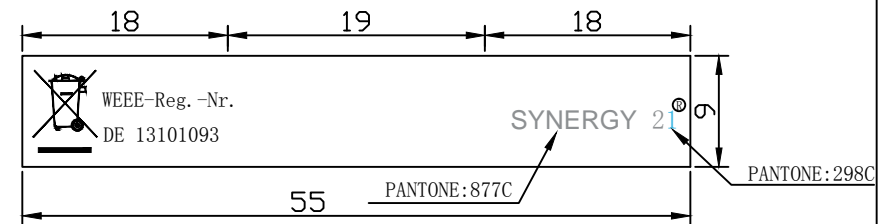
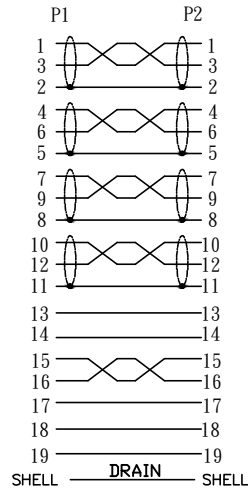


COLOR: BLACK			
ITEM	LENGTH	EAN CODE	PACKING
S215335	1000 ± 30MM	4038816224781	SYNERGY 21 A Bag
S215336	2000 ± 50MM	4038816224798	SYNERGY 21 A Bag
S215337	3000 ± 70MM	4038816224804	SYNERGY 21 B Bag
S215338	5000 ± 70MM	4038816224811	SYNERGY 21 B Bag



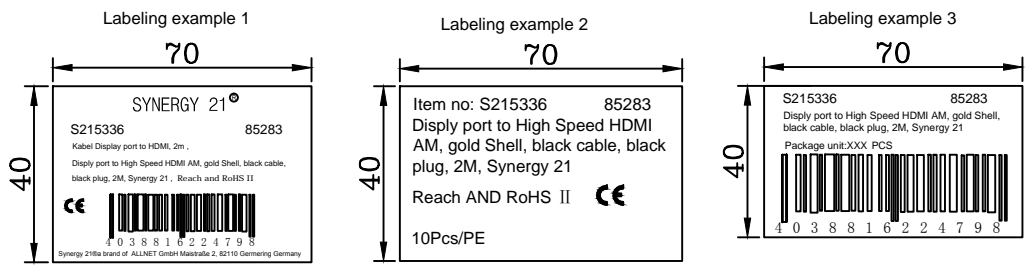
NOTE:

- Electrical test:
 - 100% open short & miss wire test;
 - Insulation resistance: DC 300V 10M ohm MIN;
 - Contact resistance: 5 ohm MAX;
 - Dielectric strength: 150V AC/Sec, 1mA.
 - Displayport practical application Test
- PRINT WORD: DisplayPort Cable E***** 冠 AWM
STYLE 20276 80°C 30V VW-1
- PACKING: 1PCS/PE BAG+LABEL
- REACH AND ROHS 2.0 COMPLIANT
- 30 AWG Length: 0.5M-3M (inc. 3M 4K*2K 24HZ); 5M (1080P@60Hz)
- Version 1.2

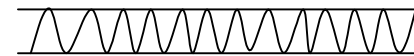
SYNERGY 21

⑪	DUST CAP	DP 20PIN MALE LDPE	1	
⑩	DUST CAP	HDMI A MALE LDPE	1	
⑨	TUBE	∅1.0*18 HEAT SHRINK TUBE	2	
⑧	TUBE	∅1.0*13 HEAT SHRINK TUBE	5	
⑦	TUBE	∅2.0*7 HEAT SHRINK TUBE	10	
⑥	INTER MOLD	LDPE	2	
⑤	OUT MOLD2	DP 20PIN MALE CONNECTOR BLACK ABS Assembly TYPE OUTER COVER	1	
④	DP MALE	DP 20P/M SOLDER, BLACK INSULATION, THE PIN GOLD PLATED, THE SHELL FOR GOLD PLATED 1u", BEHIND THE CONNECTION PCB WITH IC(8121e), SIGNAL INPUT	1	
③	OUT MOLD1	45P BLACK PVC	1	
②	HDMI 19P AM	HDMI 19P A/M SOLDER, BLACK INSULATION, THE PIN GOLD PLATED 3u", THE SHELL FOR GOLD PLATED 1u", SIGNAL OUTPUT	1	
①	CABEL	30AWG (7/0.1BC*1P+D+AL+MYLAR)*4+7/0.1BC*1P+7/0.1BC*5C+ADB 80 braiding OD 6.0±0.2mm	1	
NO.	PARTS NAME	SPECIFICATION DESCRIPTION	QT'Y	REMARK
		NEW	2015.01.20	A
BY	CHK	REVISION RECORD MODIFICATIONS	DATE	REV.

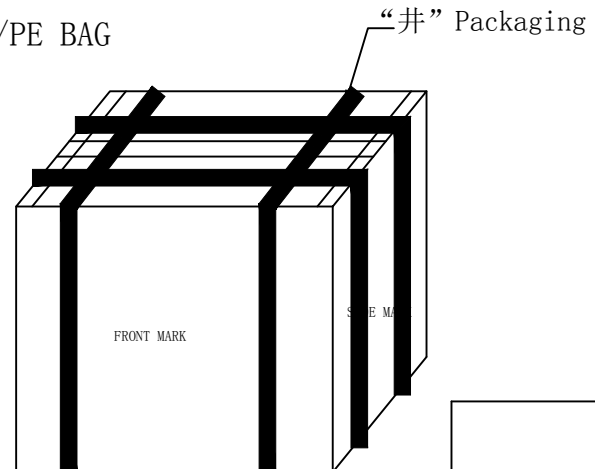
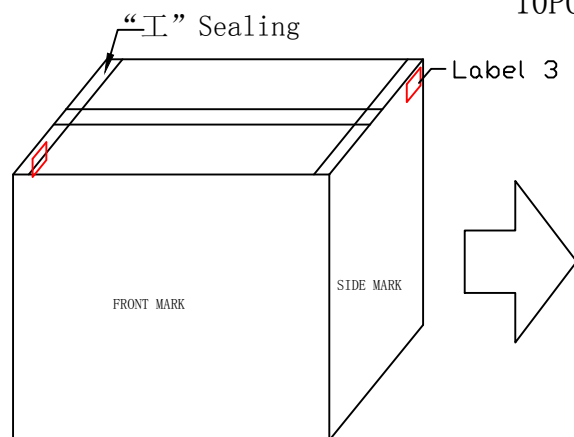
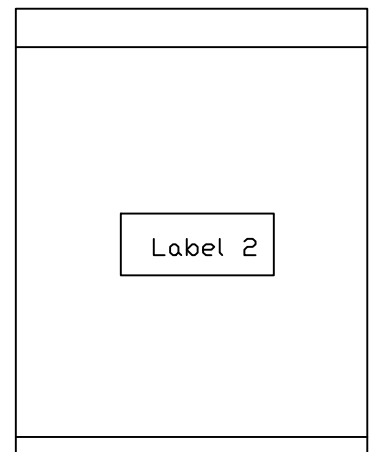
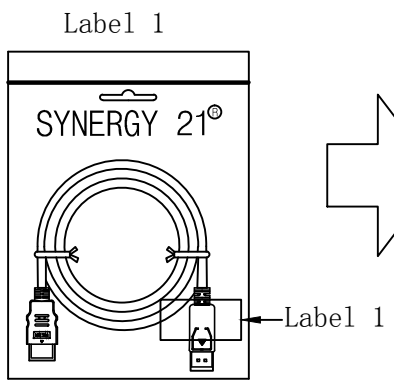
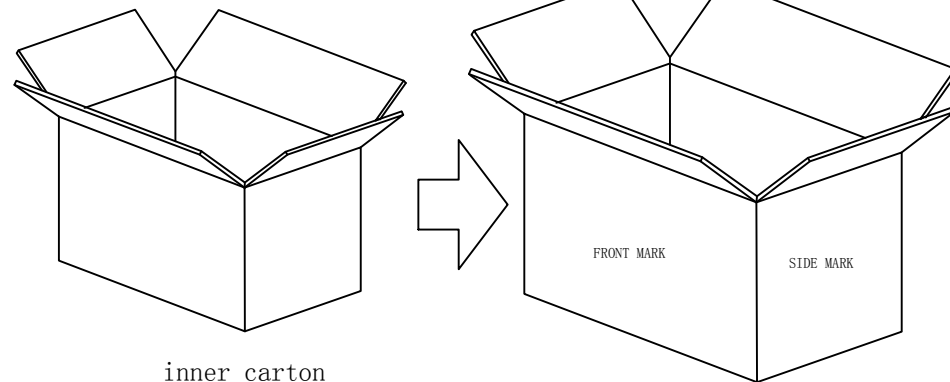
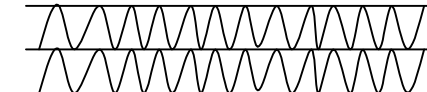
CUSTOMER	PRODUCT NAME	DP/M to HDMI 19P A/M	ITEM NO.	MANUFACTURE COUNTRY	CHINA	UNIT	MM
	DRAWNBY	CHECKBY	APPOBY				DATE
	SYNERGY 21	SYNERGY 21	SYNERGY 21				2015.01.20



three layer corrugated carton(inner carton):



Five layer corrugated carton(outer carton):



FRONT MARK

SIDE MARK

PO NO. :
 DP M/HDMI AM
 Length:
 Colour:
 C/NO. :
 REACH+RoHS 2.0 Compliant
 MADE IN CHINA

Item no:
 DP M/HDMI AM
 Length:
 Colour:
 Q' TY:
 N. W:
 G. W:
 MEAS:

SYNERGY 21

					CUSTOMER		ITEM NO.						
					PRODUCT NAME		PACKING		MANUFACTURE COUNTRY		CHINA	UNIT	MM
					DRAWNBY		CHECKBY		APPOBY		DATE		
BY	CHK	REVISION RECORD MODIFICATIONS			DATE	REV.	SYNERGY 21	SYNERGY 21	SYNERGY 21	2015. 01. 20			