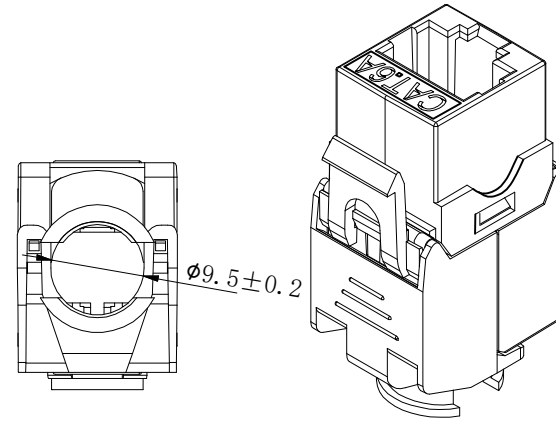
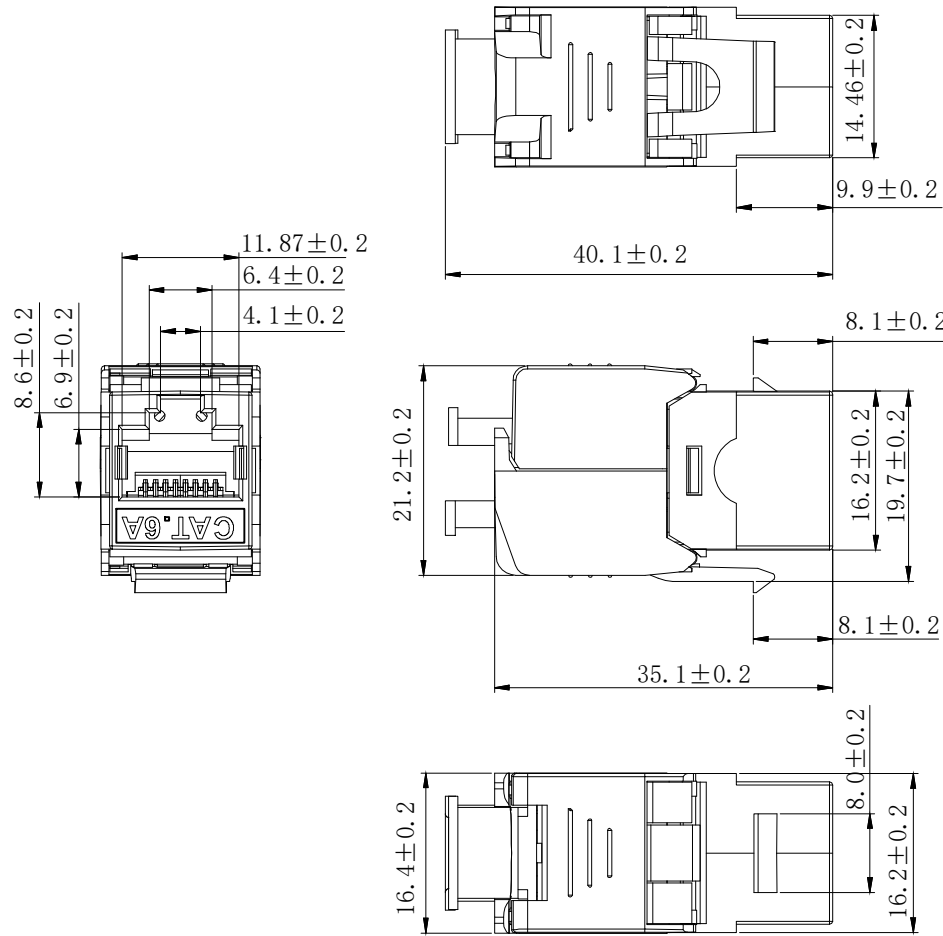


NOTE:

1. Material: SPCC
2. Thickness:1.2mm
3. with Ground wire
4. Front panel with 3 cable management racks
5. RoHS 2011/65/EU and amendment directives (EU) 2015/863 compliant;REACH 1907/2006/EC compliant.
6. Apply to the keystone jack which the width less than 17.4mm
7. "1 2 3.....16" Color: black Font : Arial H:3.35MM
8. Accessory:
 - Cable Tie(75X1.9mm) *16pcs
 - M6*18 screw and nut *4set

ITEM NO.	Body Colour	Cable management racks Color	Logo Color
S216386	Gray RAL 7035	Gray	Black

SYNERGY 21										
CUSTOMER		ITEM NO.								
PRODUCT NAME	16port BLANK PATCH PANEL	manufacture country:	CHINA	UNIT	MM					
NEW	2024-03-01	A	DRAWNBY	CHECKBY	APPOBY	DATE				
BY	CHK	REVISION RECORD MODIFICATIONS	DATE	REV.	SYNERGY 21	SYNERGY 21	SYNERGY 21			2024-03-01



- NOTES:
- ELECTRICAL:
- Contact Resistance : 20MΩ MAX
 - Insulation Resistance : 500MΩ MIN @ 500V DC
 - Withstand Voltage : DC 1000V AC 700V RMS 60Hz, 1MIN
 - Compliance with Class EA up to 500 MHz to ISO/IEC 11801 Ed. 2.2:2011-06
DIN EN 50173-1:2011-09
TIA/EIA-568.2-D (2009-08)
IEC 60603-7 Ed.1 (12/2008)
- ENVIRONMENTAL:
- Storage temperature : -40°C to +70°C
 - Operation temperature : -10°C to +60°C

- MECHANICAL
- SHIELD MATERIAL: ZINC ALLOY
 - IDC MATERIAL: PC TERMINAL:PHOSPHOR BRONZE, TIN PLATING
 - RJ45 Contact Life: 750 Times Min
 - Plug inforce:<30N
 - Solid cable:1/22AWG (0.65MM)-1/26AWG (0.40MM) ID:1.05MM-1.5MM
 - Cable OD: 5.0mm-8.5mm
 - PoE per IEEE 802.3af, PoE/per IEEE 802.3at, PoE/per IEEE 802.3bt PoE++
 - 360° Shield connection
 - Fluke Test: Permanent link ISO11801 (PL2) Class Ea
 - RoHS 3.0 and REACH Compliant
- Accessories:
- Instruction Sheet *lpc/inner box
Cable Tie (75X1.9mm) *1Pc
Packing:lpc/PE bag+label

MATERIAL LIST:

⑦	MODULAR COVER	PC with T568A/B label	1	
⑥	RJ 45 JACK INSERT	8P8C PHOSPHOR BRONZE GOLD PLATED	8	
⑤	PCB	FR-4 1.6mm UL 94V0	1	
④	IDC BODY	PC White	1	
③	IDC PIN	PHOSPHOR BRONZE & TINNED	8	
②	LABEL COLOR CODE	T568A/B	2	
①	IDC TERMINAL	FOR 22-26AWG CABLE	1	
NO.	PARTS NAME	SPECIFICATION STANDARD	QT' Y	REMARK

		NEW	2023-03-30	A
BY	CHK	REVISION RECORD MODIFICATIONS	DATE	REV.

SYNERGY21					
CUSTOMER	AN		ITEM NO.	S216318V3	
PRODUCT NAME	CAT. 6A/ClassEA STP KEYSTONE JACK W:16.3MM		manufacture country:	CHINA	UNIT MM
DRAWNBY	CHECKBY	APPOBY	DATE		
SYNERGY21	SYNERGY21	SYNERGY21	2023-03-30		