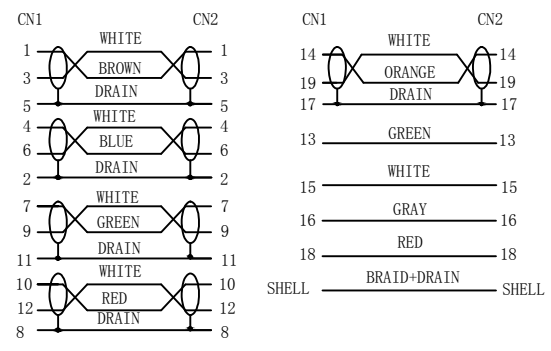


PIN OUT



NOTE:

1. Electrical test:
  - (1). 100% open short & miss wire test;
  - (2). Insulation resistance: DC 300V 10M ohm;
  - (3). Contactor resistance: 8 ohm;
  - (4). Dielectric strength: 150V AC/Sec, 1mA.
  - (5). Computer + HDTV TEST 3840\*2160@60Hz 4:4:4 8bit
2. RoHS2.0 AND REACH COMPLIANT
3. PRINT WORD: High Speed HDMI® Cable with Ethernet E\*\*\*\*\* 兄 AWM STYLE 20276 80°C 30V VW-1
4. PACKING: 1PC/SYNERGY 21 Bag C Bag+LABLE 1, inner carton+outer carton+LABLE 3

MATERIAL LIST:

④	OUTER MOLD	PVC 88A Black	2	
③	INNER MOLD	LD-PE	2	
②	HDMI Connector	19P A/Male The Pin Gold Plated, The Shell Gold Plating	2	
①	CABLE	(24AWG BC*1P+E+AM)*5P+28AWG BC*4C+AEB E:28AWG BC PVC/Black OD 9.5±0.2mm	1	

ITEM NO	LENGTH	PACKING
S215384V2	10000±150mm	SYNERGY 21 Bag

NO.	PARTS NAME	SPECIFICATION STANDARD	QT' Y	REMARK
		25+28AWG to 24+28AWG	2019-10-08	
		NEW	2019-09-26	A
BY	CHK	REVISION RECORD MODIFICATIONS	DATE	REV.

SYNERGY 21							
CUSTOMER		AN		ITEM NO.	SEE THE CHART		
PRODUCT NAME	HDMI2.0b 19P AM-AM WITH ETHERNET 26AWG			manufacture country:	CHINA	UNIT	MM
DRAWNBY		CHECKBY		APPOBY		DATE	
SYNERGY 21		SYNERGY 21		SYNERGY 21		2019-09-26	