

NOTE:  
 RoHS 3.0 And Reach Compliant  
 1.0mm thickness Metallic Panel with plastic powder cladding

Accessory:  
 Screw and Nut M6\*16mm \* 4 set  
 Dust cap SC SX type \* 24 pcs  
 Cable connector PG13.5\*4pcs

SinglePack: 1pc/box+label; SubPack:  
 no; Carton +labelx2;

MATERIAL LIST:

⑤	Spool	ABS Plastic Material	2	
④	Inner Panel	1.0mm thickness Metallic Panel with plastic powder cladding	1	
③	Mounting	1.5mm thickness Metallic Panel with plastic powder cladding	2	
②	Upper Panel Cover	1.0mm thickness Metallic Panel with plastic powder cladding	1	
①	Outer Panel	1.0mm thickness Metallic Panel with plastic powder cladding	1	
NO.	PARTS NAME	SPECIFICATION DESCRIPTION	QT'Y	REMARK
		NEW	2022-03-10	V0
BY	CHK	REVISION RECORD MODIFICATIONS	DATE	REV.

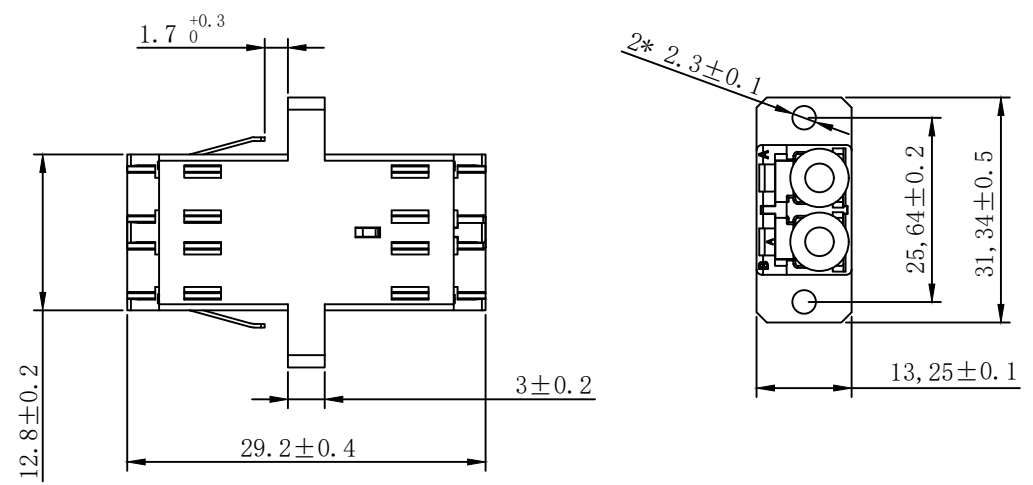
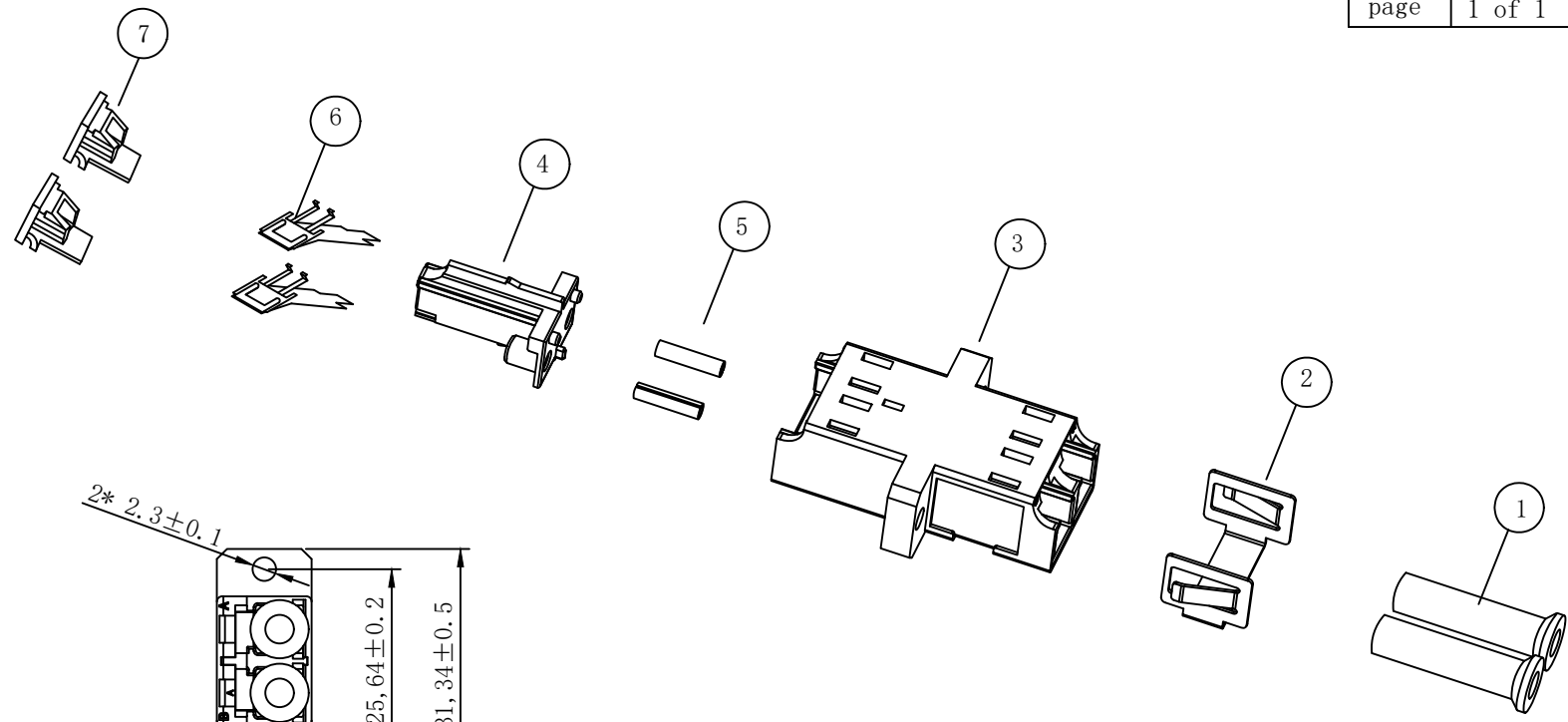
ITEM NO.	Colour
S216299V3	Black RAL9005
S216298V3	Gray RAL7035

SYNERGY21

CUSTOMER	ITEM NO.	SEE THE CHART		
PRODUCT NAME	manufacture country:	CHINA	UNIT	MM
19" Fiber Optic Patch Panel, 1U sliding type 24port SC Simplex				
DRAWNBY	CHECKBY	APPOBY	DATE	
SYNERGY21	SYNERGY21	SYNERGY21	2022-03-10	

Chart:

ITEM NO.	COLOR
S215426V2	blue
S215592V2	green
S215424V2	Erika violet



**MATERIAL LIST:**

⑦	LC White Dust Cap	2pcs	
⑥	Internal laser protection shutter stainless steel	2pcs	
⑤	LC Sleeve ceramic	2pcs	
④	bush COLOR:SEE THE CHART	1pc	
③	LC Body (SC simplex footprint) COLOR:SEE THE CHART	1pc	
②	LC Metal Mount	1pc	
①	LC White Dust Cap	2pcs	
NO.	SPECIFICATION STANDARD	QT' Y	REMARK
BY	CHK	NEW	2022-10-17
		REVISION RECORD MODIFICATIONS	DATE
			REV.

NOTE:  
RoHS 3.0 & Reach COMPLIANT

Insertion Loss (dB)	≤0.20
Operating Temperature (° C)	-40 ~+85
Storage Temperature (° C)	-40 ~+85

Blister+Label+Test Report

SYNERGY21					
CUSTOMER		ITEM NO.	See the chart		
PRODUCT NAME	LC Duplex with flange Plastic Adapter with internal Laser Protection shutter	manufacture country:	CHINA	UNIT	MM
DRAWNBY	CHECKBY	APPOBY	DATE		
SYNERGY21	SYNERGY21	SYNERGY21	2022-10-17		

