

ITEM NO	COLOUR
S216322	pure white, RAL9010
S216323	pearl white, RAL1013

**Materials:**

Outlet Housing: ABS /UL94V2

Outlet Base: ABS /UL94V2

Metalic Plate: Al&Zn Alloy /Al&Zn Alloy,

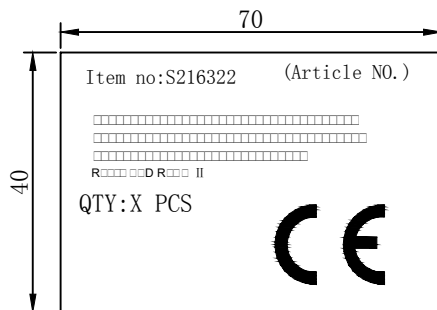
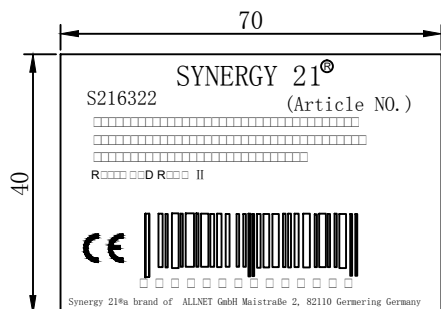
PACKING: 1pcs/PE bag+label 1, 12pcs/box+label 2, 120pcs/ctn+label 1

RoHS 2.0 And REACH Compliant

**SYNERGY 21**

		UPDATE PACKING TYPE		2018-03-20	A1	PRODUCT NAME	Face plate 1 port	manufacture country	China	UNIT	MM
		NEW		2016-10-11	A	DRAWNBY	CHECKBY	APPOBY	DATE		
BY	CHK	REVISION RECORD MODIFICATIONS		DATE	REV.	SYNERGY 21	SYNERGY 21	SYNERGY 21	2018-03-20		

CUSTOMER		ITEM NO.	See The Chart
----------	--	----------	---------------



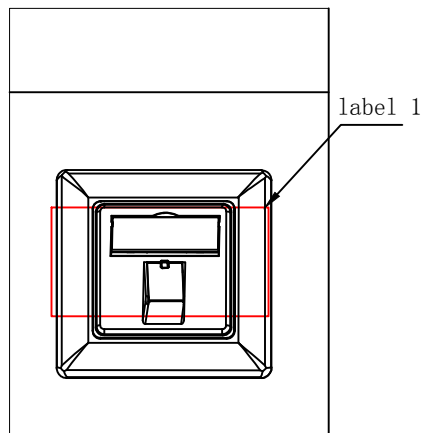
SHIPPING MARK



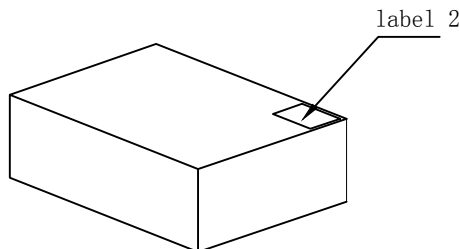
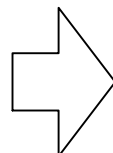
PO NO. :  
REACH and ROHS 2.0 Compliant  
MADE IN CHINA

SIDE MARK

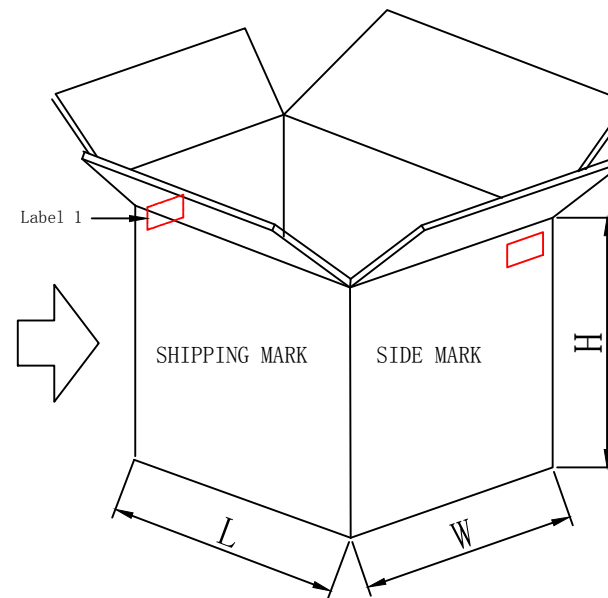
PO NO. :  
Item no:  
Q' TY:  
N.W  
G.W  
Carton no.  
MEAS.



1PCS/PE bag+lable1



12pcs/box+lable2



120pcs/ctn+lable 1

- :
- pcs/PE bag+label 1, 12pcs/box+lable 2, 120pcs/ctn+lable 1
- 2. “工” type sealing
- 3. “井” type packaging

SYNERGY 21										
CUSTOMER						ITEM NO.		See The Chart		
PRODUCT NAME		PACKING	manufacture country:		china	UNIT	MM			
DRAWNBY			CHECKBY			APPOBY		DATE		
BY	CHK	REVISION RECORD MODIFICATIONS			DATE	REV.	SYNERGY 21	SYNERGY 21	SYNERGY 21	2018-03-20

UPDATE PACKING TYPE

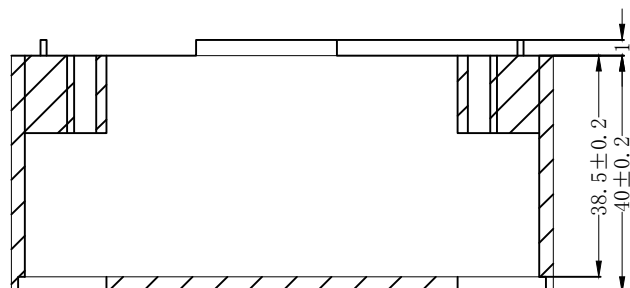
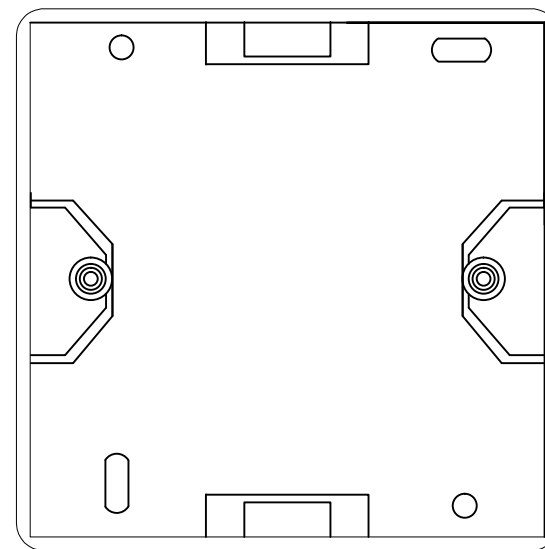
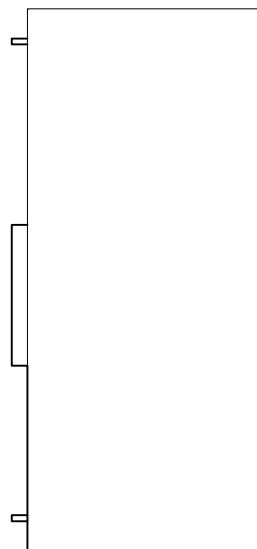
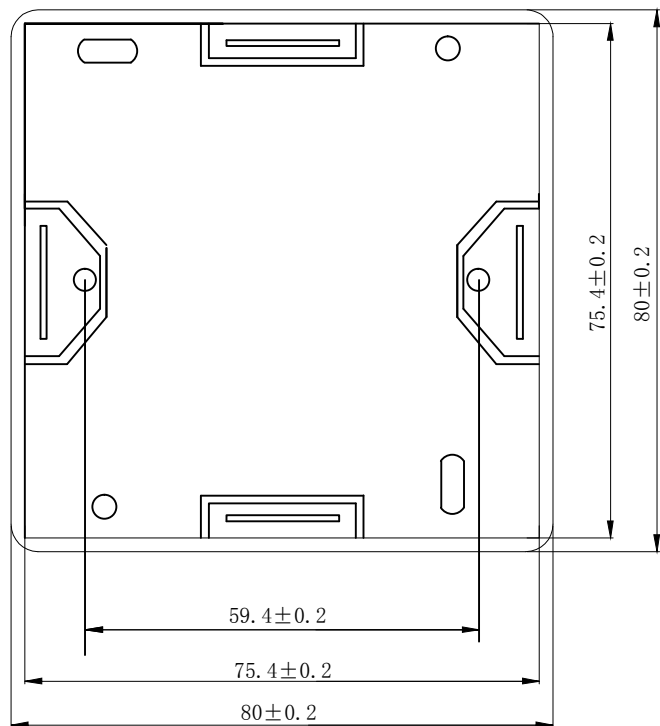
2018-03-20 A1

NEW

2014-09-25 A

REVISION RECORD MODIFICATIONS

DATE REV.



ITEM NO.	COLOUR
S216328	Pure White RAL9010
S216329	Pearl White RAL1013

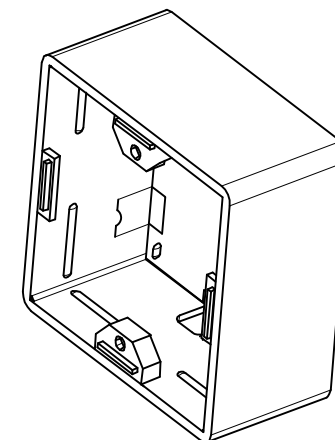
**NOTE:**

MATERIAL: ABS

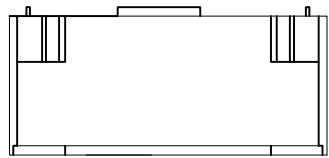
SIZE: 80MM\*80MM\*40MM

RoHS2.0 AND REACH COMPLIANT

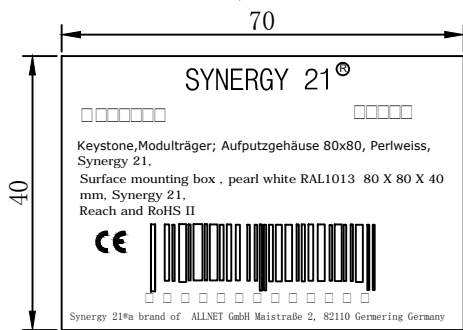
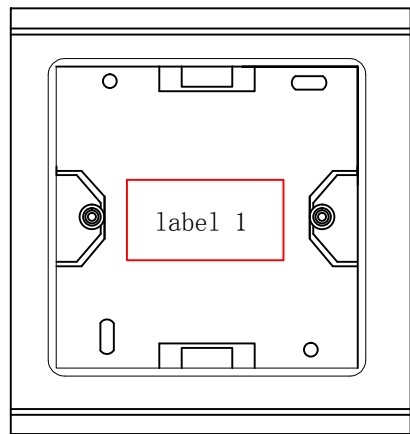
ACCESSORY: SCREW M3\*14 2PCS



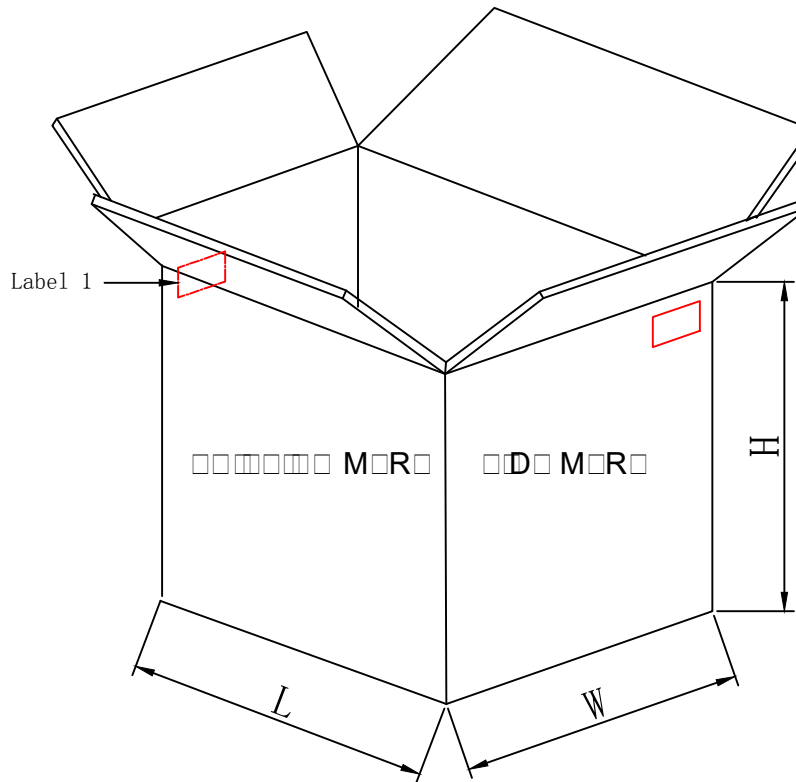
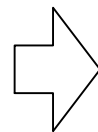
		UPDATE PACKING TYPE			2018-03-20	A3	SYNERGY 21					
		UPDATE PRODUCT			2014-09-24	A2	CUSTOMER		ITEM NO.	see the chart		
		UPDATE ROHS COMPLIANT			2013-07-10	A1	PRODUCT NAME	mounting box	manufacture country:	CHINA	UNIT	MM
		NEW			2011-07-11	A	DRAWNBY	CHECKBY	APPOBY	DATE		
BY	CHK	REVISION RECORD MODIFICATIONS			DATE	REV.	SYNERGY 21	SYNERGY 21	SYNERGY 21	2018-03-20		



mounting box+pe bag



pe bag label



96PCS/CTN+LABEL 1

SHIPPING MARK



PO NO. :  
REACH and ROHS 2.0 Compliant  
MADE IN CHINA

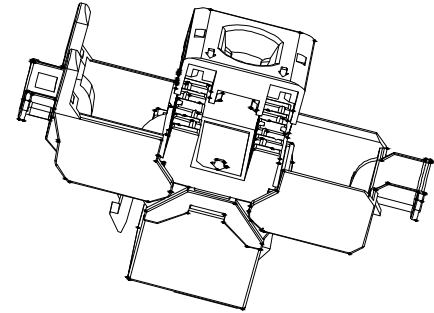
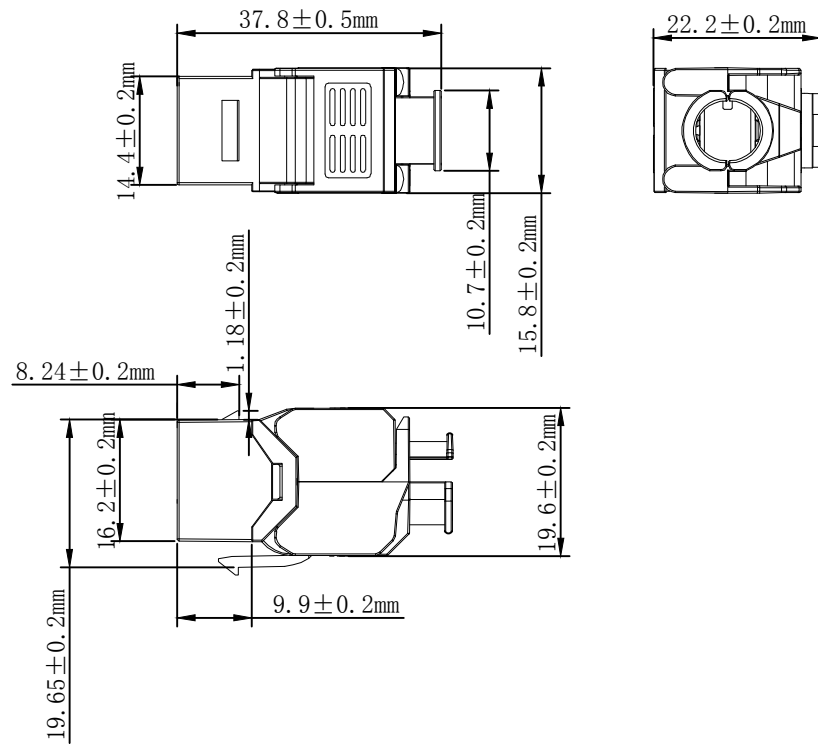
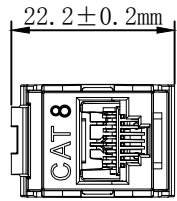
SIDE MARK

PO NO. :  
Item no:  
Q' TY:  
N. W  
G. W  
Carton no.  
MEAS.

1. Packing: 1PCS/PE Bag A+Label 1, 96PCS/CTN+LABEL 1
2. “工” type sealing
3. “井” type packaging

SYNERGY 21			
------------	--	--	--

					CUSTOMER		ITEM NO.	see the chart		
		UPDATE PACKING TYPE	2018-03-20	A3	PRODUCT NAME	PACKING	manufacture country:	CHINA	UNIT	MM
		NEW			DRAWNBY	CHECKBY	APPOBY	DATE		
BY	CHK	REVISION RECORD MODIFICATIONS	DATE	REV.	SYNERGY 21	SYNERGY 21	SYNERGY 21	2018-03-20		



NOTES:

ELECTRICAL:

1. Contact Resistance : 20MΩ MAX
2. Insulation Resistance : 500MΩ MIN @ 500V DC
3. Withstand Voltage : DC 1000V AC 700V RMS 60Hz, 1MIN
4. Compliance with Class I up to 2000 MHz to ISO/IEC 11801-1:2017 (Ed. 1. 0)

ENVIRONMENTAL:

1. Storage Temperature : -40°C ~ +70°C
2. Operation Temperature : -10°C ~ +60°C

MECHANICAL

1. MATERIAL: Zinc alloy
2. IDC MATERIAL: PC TERMINAL: PHOSPHOR BRONZE, TIN PLATING
3. RJ45 Contact Life: 750 Times Min
4. Plug inforce: <30N
5. Solid cable: 1/22AWG (0.65MM) - 1/26AWG (0.4MM) ID: 1.1MM - 1.6MM
6. Stranded cable: 22/7-26/7AWG ID: 1.1MM - 1.6MM
7. Cable OD: 5.0mm - 8.5mm
8. PoE per IEEE 802.3af, PoE+ per IEEE 802.3at, PoE++ per IEEE 802.3bt  
RoHS 2.0 and REACH Compliant
9. with copper foil in packing.

MATERIAL LIST:

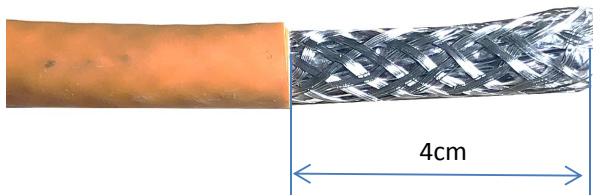
⑦	Housing	Zinc alloy Silver	1	
⑥	RJ 45 JACK INSERT	PHOSPHOR BRONZE 8P8C GOLD PLATED	8	
⑤	PCB	FR-4 1.6mm	1	
④	IDC BODY	White PC	1	
③	IDC PIN	PHOSPHOR BRONZE & TINNED	8	
②	LABEL COLOR CODE	T568A/B	2	
①	IDC TERMINAL	FOR 22-26AWG CABLE	1	

NO	PARTS NAME	SPECIFICATION STANDARD	QT' Y	REMARK
		NEW	2020-09-01	A
BY	CHK	REVISION RECORD MODIFICATIONS	DATE	REV.

SYNERGY 21							
CUSTOMER	ALLNET Computersysteme GmbH	ITEM NO.	S216378				
PRODUCT NAME	CAT 8.1 STP KEYSTONE JACK	manufacture country:	china	UNIT	MM		
DRAWNBY	CHECKBY	APPOBY	DATE				
SYNERGY 21	SYNERGY 21	SYNERGY 21	2020-09-01				

# Installationsanleitung/Installation guide

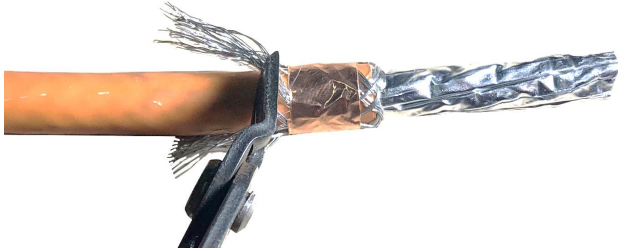
## Keystone Jack



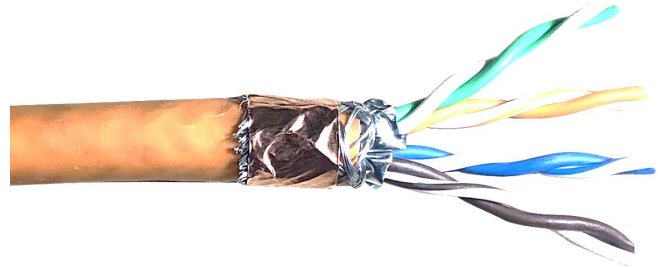
①.Stripping 4cm of sheath.



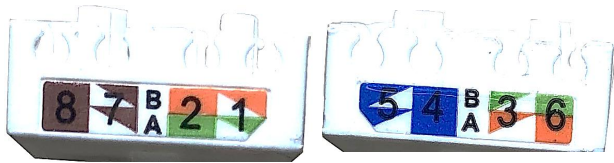
②.foldback braided and drained wire.



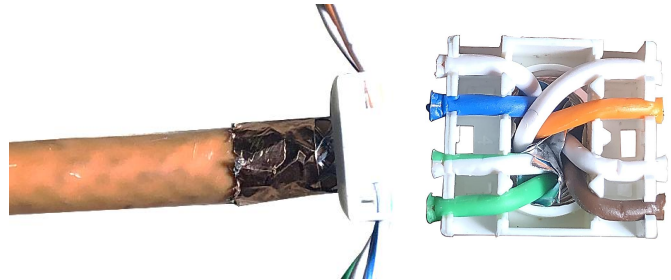
③.paste copper foil on the braided and ground wire and cut off the excess weave and the ground wire



④.4.Fan out all four twisted pairs, allocate each by following colorcoding label



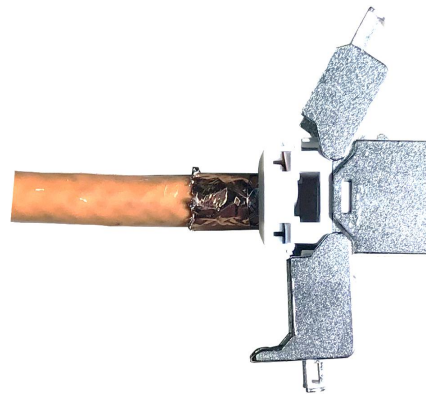
⑤.Across the holde by the color marks of T568A or T568B



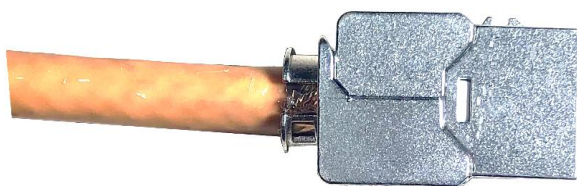
⑥. allocate each conductor into proper slots on wiring cap by following color coding



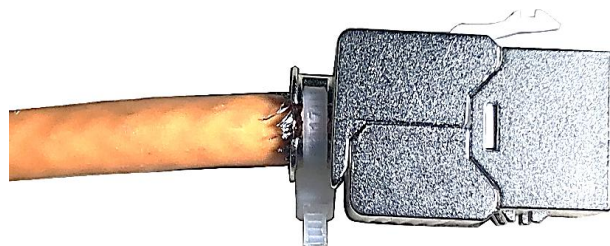
⑦.Trim the theends of conductors.



⑧.install the termination cap in direction of arrow into the keystone jack



⑨.press both covers of the keystone jack to contact the cable



⑩.use cable tie for strain relief and to fix the shielding clamp