

Type C	Core color	Type C
A1,B1,A12,B12	Ground	A1,B1,A12,B12
A4,B4,A9,B9 (VBUS)	Red	A4,B4,A9,B9 (VBUS)
A5 (CC)	Yellow	A5 (CC)
B5 (Vconn)	Orange 2/03 (Smark)	B5 (Vconn)
A6 (UTP D+)	Green (-)	A6 (UTP D+)
A7 (UTP D-)	White V	A7 (UTP D-)
A2 (SSTx1)	Coax Yellow	B11 (SSRx1)
A3 (SSTx1)	Coax Purple	B10 (SSRx1)
B11 (SSRx1)	Coax Brown	A2 (SSTx1)
B10 (SSRx1)	Coax Orange	A3 (SSTx1)
B2 (SSTx2)	Coax Black	A11 (SSRx2)
B3 (SSTx2)	Coax Blue	A10 (SSRx2)
A11 (SSRx2)	Coax White	B2 (SSTx2)
A10 (SSRx2)	Coax Green	B3 (SSTx2)
A8 (SBU1)	Orange	BB (SBU2)
BB (SBU2)	Purple	A8 (SBU1)
Shell	Braiding	Shell

The USB4 cable transfer all important transmission protocols for computing and multimedia area.

It supports i.a.:

- PCI Express
- USB4™ 40Gbps
- Thunderbolt™ 3 (partial)
- Displayport 1.4a up to 8K
- SuperSpeed USB up to 20 Gbps
- PowerDelivery

Connect your notebook to your docking station with just one cable and you get access to all important interfaces, devices with high energy requirements can also be charged simultaneously with up to 100 watts (depending on the hardware used)

Info: not all devices with USB Type-C® interface support the 100 watts fast charging capability (PD 3.0), the transmission of video signals (DP-Alternate Mode) or data transfer of 40 Gbps (USB4™ 40Gbps / Thunderbolt™ 3), please contact your device manufacturer for more informations.

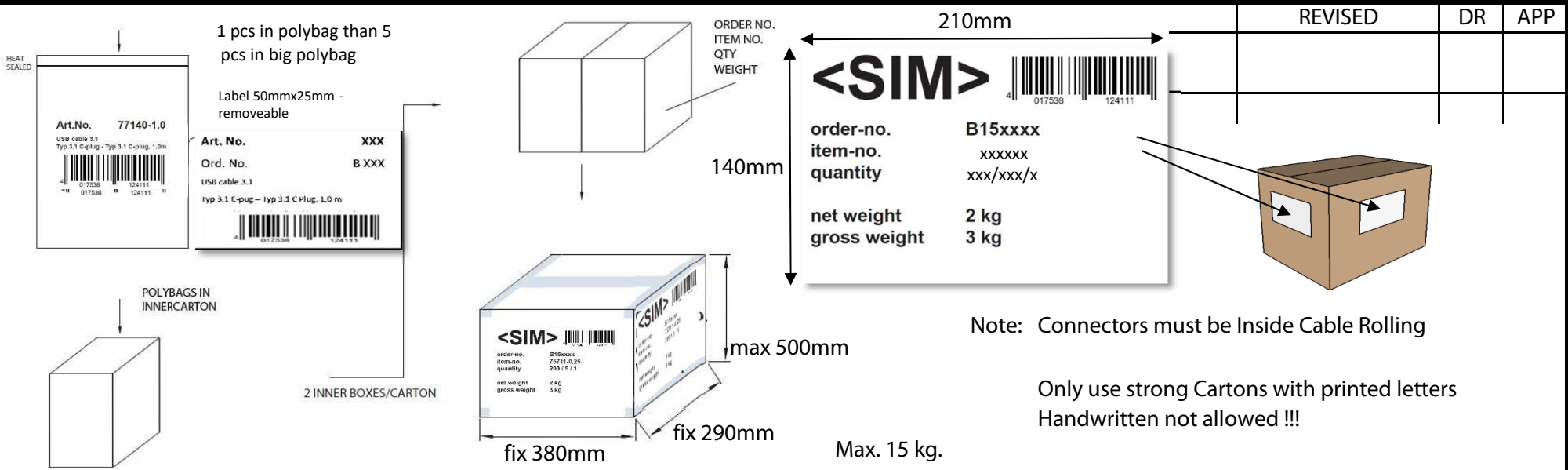
- Connections: USB-C plug to USB-C plug
- Supports: DP-Alternate Mode Displayport 1.4a (bis zu 8K|6K|5K/60Hz, 4K/120Hz, 2x 4K/60Hz), PD bis zu 100W (20V/5A), SuperSpeed USB 5|10|20Gbps, PCI Express 3.0, Bidirectional data transfer
- Bandwidth up to: 40 Gbps
- Compatible to all USB-C interfaces (i.a.): Hi-speed USB, SuperSpeed USB, Thunderbolt™ 3
- Number of shields: 3
- Shielding 1: ALU braid (100% density)
- Shielding 2: ALU foil laminated (100% density)
- Shielding 3: ALU braid (100% density)
- Wire material: tinned copper
- Wire structure: coaxial
- Plug: moulded with metal shielding
- Contact surface: pins gold plated
- Plug housing: TPE
- Cable type: round cable
- Material cable sheath: TPE



1	CONNECTORS	USB ( C ) CONNECTING CABLE, 4.0 GEN 3X2, BLACK
2	MOLDING	
3	CABLE	
NO	PART NAME	PICTURES AND COLORS CAN DIFFER FROM THE PRODUCT!

DESCRIPTION		USB ( C ) CONNECTING CABLE, 4.0 GEN 3X2, BLACK					
SIZE	A4	DATE	29.06.2021	CHECKED		TOL	13-65005
UNIT	MM	DRAWN	R.Hueller	APPROVED			
CUSTOM TARIF NO.: 854442909000							





ART.NO.	LENGTH	ROLLING SIZE	NET.WEIGHT (g)	PACKING	EAN CODE
13-65005	0.25m	140x140x10mm	19g	200 EXP / 100 INNER - 5/1 in pb with st.	4017538134370
13-65015	0.5m	140x140x12mm	29g	200 EXP / 100 INNER - 5/1 in pb with st.	4017538134387
13-65025	1.0m	140x140x14mm	49g	200 EXP / 100 INNER - 5/1 in pb with st.	4017538134394
13-65155	1.5m	140x140x15mm	69g	150 EXP / 75 INNER - 5/1 in pb with st.	4017538134400

DESCRIPTION		USB ( C ) CONNECTING CABLE, 4.0 GEN 3X2, BLACK				
SIZE	A4	DATE	29.06.2021	CHECKED		13-65005
UNIT	MM	DRAWN	R.Hueller	APPROVED		
CUSTOM TARIF NO.: 854442909000						