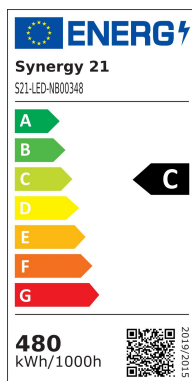


## Synergy 21 LED object/stadium spotlight 480W IP66 cw (dali)



kwh/1000h:	480,00
Lumens:	79200
Watt:	480,0
Nominal Service Life:	35000 Std.
Switching Cycles:	50000
Opt. Ambient Temperature.:	25 °C



Operating voltage: AC 90-305V, 50/60Hz  
LED: 248 LED Philips Lumileds 165lm/Watt  
Power supply unit: MeanWell  
Beam angle: Lens 90°, light heads variably adjustable (swivelling and tilting)  
Beam angles of 10°, 30° or 60° also available on request.  
Lumen: 79200lm  
Efficiency: 165Lm/Watt  
Light colour: 5000K ±150  
CRI: Ra>70  
dimmable: dali  
Housing: aluminium  
Operating temperature: -40°C to +60°C  
Protection class: IP66  
Dimensions: 536\*165\*579mm

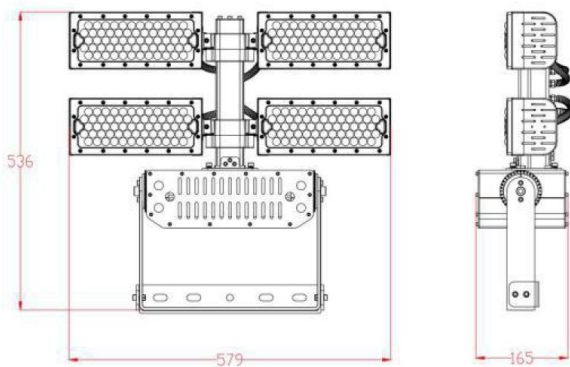
Energy efficiency class: A++  
kWh/1000h: 480

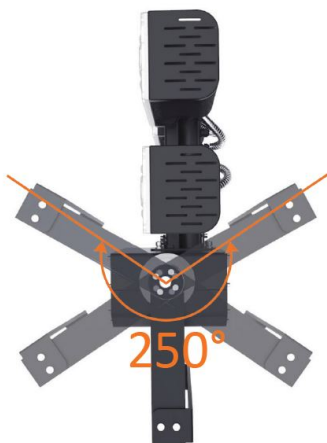
The connection of electrical components and systems may only be carried out by only be carried out by qualified specialists!

## Attributes

Attribute	Value
Abstrahlwinkel:	90
CRI:	>80
Dimmbar:	DALI
Grösse:	536*165*579
LED - Gehäusefarbe:	schwarz
LED - Gehäusematerial:	Aluminium
Lichtfarbe:	kaltweiß
Lichtfarbe in Kelvin:	5000
Lumen:	79200
Schutzklasse:	IP66
Volt:	230
Weight:	16 Kg
Warranty:	60.00 Months

## Additional Images





## Accessories

Part No.	Name
148726	Synergy 21 - Waterproof connector 1:1
148727	Synergy 21 - Waterproof connector 1:2
148730	Synergy 21 - Waterproof connector box 3 ports
148729	Synergy 21 - Waterproof connector box 3 ports transparent
148728	Synergy 21 - Waterproof connector box 4 ports
147265	Netzkabel 230V Schutzkontakt CEE7(Stecker)->Open End mit Adernendhülsen, 1,8m,Black