

ALLNET Switch industrial unmanaged Layer2 3 Port 2.5 GbE • PoE Budget 90W • 1x PoE bt • 2x SFP 1G/2.5G • Fanless • DIN • IP40 • ALL-SGI8003P-2.5G

>>> [Go to the shop article](#)



EAN CODE



ALLNET Switch unmanaged industrial 3 Port Gigabit 90W / 1x PoE BT 90W / 2x SFP 1G/2,5G / FANLESS / DIN / IP40 / "ALL-SGI8003P-2.5G"

Highlights:

- With 1*10/100/10002.5G Hi-PoE 90W ports and 2*2.5G/1000M SFP ports;
- Fiber ports provides 2 modes through the dip switch, 2.5GM mode and 1000M mode to adapt to variety needs;
- Supports relay alarm for power off, network broken and PoE off;
- Supports PoE Auto-check function, which is specially designed to solve the problems of equipment frozen.It can automatically detect the frozen PD equipment and restart the ports' output of PSE, and restart the PD device. It greatly reduces the maintenance difficulty of engineering;
- Supports 6KV surge protection, 6KV contact / 8KV air ESD protection;
- Supports working temperature -30°C~65°C.

The ALLNET ALL-SGI8003P-2.5G represents a state-of-the-art 3-port industrial switch that combines impressive performance with outstanding features. This switch features its 1 *10/100/1000/2.5G high performance copper PoE port that supports PoE end devices with up to 90W. Supported PoE technologies include IEEE802.3af/at as well as IEEE802.3bt with a maximum power of 90W. In addition to this powerful PoE port, the switch provides 2 additional 2.5G/1000M SFP ports for optional SFP modules suitable for both copper and fiber connections (see accessories). A DIP switch makes it easy to switch the SFP slots between 2.5GM mode and 1000M mode.

An outstanding feature of the switch is the built-in PoE Auto-Check function, specifically designed to troubleshoot



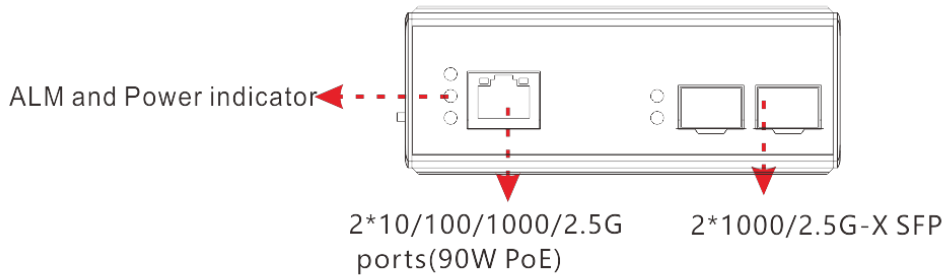
problems with frozen PoE devices. This intelligent feature automatically detects frozen PD devices and resets the output of the PoE copper port to ensure smooth functionality. This significantly reduces maintenance and keeps the technology operating reliably.

The switch is DIN-rail compatible and is ideal for applications in security networks, video surveillance systems, networking and AP installations. In environments where high network speeds and significant PoE performance are required, such as WIFI6 infrastructures, the switch proves to be a perfect choice.

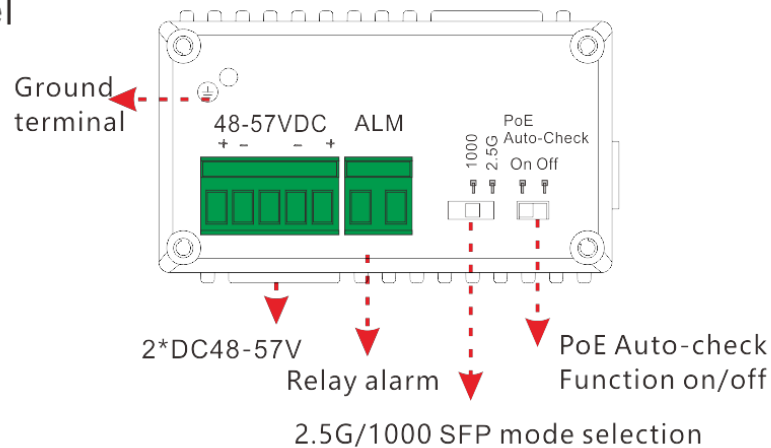
The scope of delivery includes a manual, a DIN rail clamp and a 5-way Phoenix clamp for power connection. A power supply is not included, but suitable power supplies are available as accessories. With the ALLNET ALL-SGI8003P-2.5G, you are relying on a technologically advanced product that will fit seamlessly into your demanding network requirements.

Front-Panel:

● Front panel



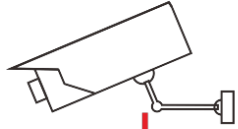
● Left panel



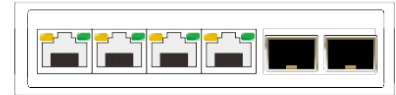
- ▲ **Attention 1:** This product must be well grounded against lightning, please use better than 20# cable to connect the grounding terminal and ground.
- ▲ **Attention 2:**
3~4 SFP ports 2.5G/1000 working mode: selected by dip switch to 2.5GM or 1000M.
- ▲ **Attention 3:**
POE Auto-check: PoE Auto-check function is open/ closed by dip switch.
The switch always auto detect 1 ports whether frozen, if some ports are frozen, the switch will restart them, but other ports are unaffected.

Application:

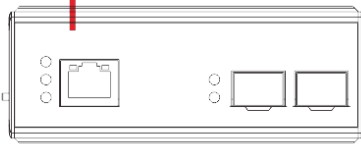
IP camera(PoE)



Switch

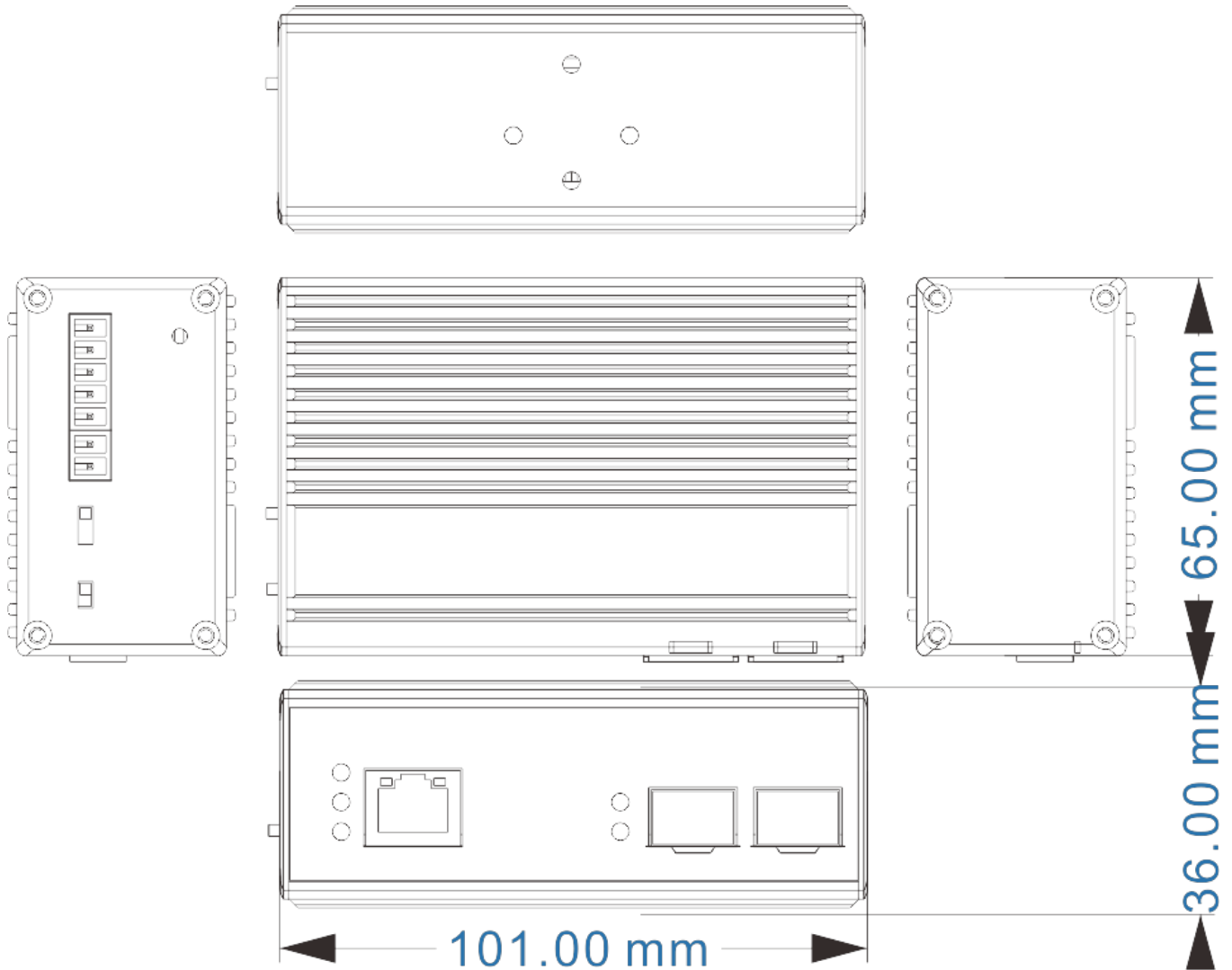


— Fiber
— PoE
— Non PoE



NVR

Dimensions:



Technical Details:

Parameter	Specifications
Power supply	Powered by power adaptor
Range of voltage	DC 48~57V
Consumption	Self consumption<5W
Downlink ports	Ports 1 10/100/1000/2.5GBase-T 90W PoE RJ45
Uplink ports	Ports 2~3 supports 2 modes of 2.5G/1000Base-X
PoE Auto-check	If detect the frozen PD device, restart it
Working mode of fiber ports	It can be selected 2.5GM or 1000M work mode by dip switch

Relay alarm	1 channel relay alarm output for power off, ports PoE off, ports link down
Cable and distance	Use cat5e/6,100m max
Standard	IEEE802.3, IEEE802.3u, IEEE802.3z
Switch fabric	15Gbps
Though put	11.16Mpps
Buffer	1M bits
MAC address table	8K
Indicator	Power: 2 *red ; Uplink2~3: Green LEDs indicate Link/Act Downlink 1: Yellow LED indicate PoE, green LEDs indicate Link/Act Downlink 1: Yellow LED indicate PoE, green LEDs indicate Link/Act
Protection	Surge: 6KV, standard: IEC61000-4-5 ESD: 6KV: contact / 8KV: air, standard:IEC61000-4-2
Working temperature	-30°C~60°C
Storage temperature	-40°C~85°C
Humidity	0~95%(No condensation)
Dimension(LxWxH)	101 mmx65 mmx36mm
Material	Aluminium
Colour	Black
Net-weight	300g
Marks	CE

Attributes

Attribute	Value
Anzahl Ports PoE/LAN:	1/0
Belüftung Switch:	Lüfterlos
Einsatzort Switch:	Industrial DIN
Extra Features:	IP40
LAN Geschwindigkeit:	100 Mbit/s; 1Gbit/s; 2,5Gbit/s;
Management:	unmanaged



Attribute	Value
PoE Budget:	<100 Watt
PoE Port Leistung:	90W BT
SFP Geschwindigkeit:	SFP 1Gbit;SFP 2,5Gbit;
Weight:	0.3 Kg
Warranty:	24.00 Months

Accessories

Part No.	Name
200364	ALLNET 19"zbh. Gerätehalter für Hutschiene/DIN-Rail Geräte, T150mm/5HE, Lichtgrau, Frontmontage,
219493	ALLNET DIN-RAIL wall mount enclosure, T220mm, light gray, IP66, SP, 16x M25 ALL-DIN-101-AC
219373	ALLNET DIN-RAIL Wandgehäuse, T223mm, Lichtgrau, IP55, SO-DIN-Serie,
219572	ALLNET DIN-RAIL Wallmount/PoE Smart-Managed Switch T220mm, Light Gray, IP66, SP, ALL-DIN-SGI8012PM
144991	ALLNET ALL-PR2012P-E / PoE Outdoor IP67 Repeater AT - AT
189128	ALLNET PoE 2x Extender Repeater Outdoor Switch IP67
134034	ALLNET ALL-B100-24VDC / Power-Booster 24VDC to 48~55VDC 90W
128033	ALLNET Switch Modul ALL4750-INDU SFP(Mini-GBIC), 1000Mbit MM
128034	ALLNET Switch Module ALL4751-INDU SFP(Mini-GBIC), 1000Mbit,
166757	ALLNET Switch Modul ALL4752-INDU SFP(Mini-GBIC), 1000Mbit, LX/LC, 20KM, Industrial, -40/+85 Grad,
193149	ALLNET Switch Modul ALL4761-INDU SFP(Mini-GBIC), 1000Mbit, WDM(Bidi)/LC, Tx1310nm/Rx1490nm, 9u, 20Km, Industrial -40/+85 Grad,
193150	ALLNET Switch Modul ALL4762-INDU SFP(Mini-GBIC), 1000Mbit, WDM(Bidi)/LC, Tx1490nm/Rx1310nm, 9u, 20Km, Industrial -40/+85 Grad,
140675	ALLNET Switch Module ALL4765 SFP(Mini-GBIC), 1000Mbit
208404	ALLNET Switch Modul ALL4765-INDU SFP(Mini-GBIC), 1000Mbit, RJ45(TP), Industrial -40/+85 Grad,
205746	ALLNET Switch Modul ALL4790-INDU SFP(Mini-GBIC), 2,5Gbit, Multimode/LC, Industrial -40/+85 Grad,
205747	ALLNET Switch Modul ALL4791-INDU SFP(Mini-GBIC), 2,5Gbit, Singlemode/LC, Industrial -40/+85 Grad,



Part No.: 205738
Vendor Part No.: ALL-SGI8003P-2.5G

Part No.	Name
99305	ALLNET / ALL95100 TP Cat 6 / PoE Surge arrester
198028	ALLNET TP Cat 6 Überspannungs-/Blitzschutz Surge Protector A
140522	Mean Well power supply - 48V 120W DIN rail, narrow
131244	Mean Well power supply - 48V 240W DIN rail
146994	Mean Well Power Supply - 48V 480W DIN Rail
146996	Mean Well Power Supply - 48V 960W DIN Rail
140955	TP(RJ45) POE-Tester, at/af, Endspan/Midspan, standard, Synergy 21,
193972	ALLNET RJ45 Sicherungskupplung, Abwurfbuchse, PoE fähig, bis

[Click here to discover more items from this category in our shop.](#)