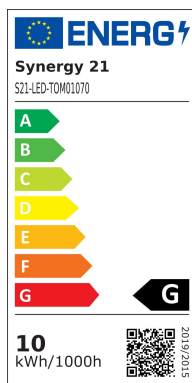


## Synergy 21 LED Spot Outdoor floodlight 10W black housing - warm white V2



kwh/1000h:	10,00
Lumens:	800
Watt:	10,0
Nominal Service Life:	35000 Std.
Switching Cycles:	50000
Opt. Ambient Temperature.:	25 °C



With emergency power function (from 80V approx. 20% brightness) and reversible overheating protection  
Dimmable (leading edge and trailing edge phase dimmer)  
Single-pane safety glass  
Stainless steel mounting bracket  
IP65 suitable outdoor cable H05RNF

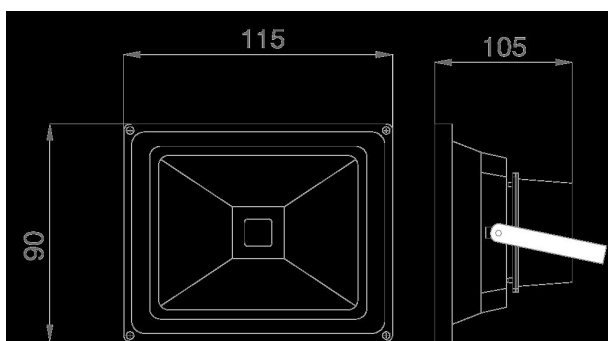
Operating voltage: 207 to 253Vac (47 to 63Hz)  
LED: 10Watt high-power chip  
Beam angle: 120°  
Range approx. 15 metres  
Lumen: 800lm, 80lm/Watt  
Warm white: 3000K ±150  
Dimmable: yes (leading edge and trailing edge phase control dimmer)  
Housing: injection moulded aluminium in black  
Operating temperature: -10°C to +55°C  
Protection class: IP65 (water jet-proof)  
Dimensions: (l\*w\*h) 115\*90\*105mm

Energy efficiency class: A+  
kWh/1000h: 10

## Attributes

Attribute	Value
Abstrahlwinkel:	120
CRI:	>80
Dimmbar:	TRIAC
Grösse:	115*90*105
LED - Gehäusefarbe:	schwarz
LED - Gehäusematerial:	Aluminium
Lichtfarbe:	warmweiß
Lichtfarbe in Kelvin:	3000
Lumen:	800
Schutzklasse:	IP65
Volt:	230
Weight:	0.69 Kg

## Additional Images



## Accessories

Part No.	Name
82434	Finder Twilight Switch suitable for Synergy 21 LED outdoor spotlight
148726	Synergy 21 - Waterproof connector 1:1
148727	Synergy 21 - Waterproof connector 1:2
148730	Synergy 21 - Waterproof connector box 3 ports
148729	Synergy 21 - Waterproof connector box 3 ports transparent
148728	Synergy 21 - Waterproof connector box 4 ports
147265	Netzkabel 230V Schutzkontakt CEE7(Stecker)->Open End mit Adernendhülsen, 1,8m,Black