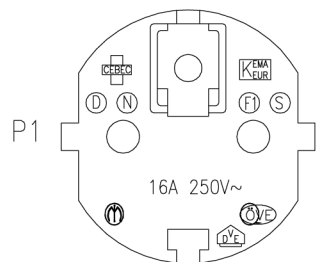


P1: M-011

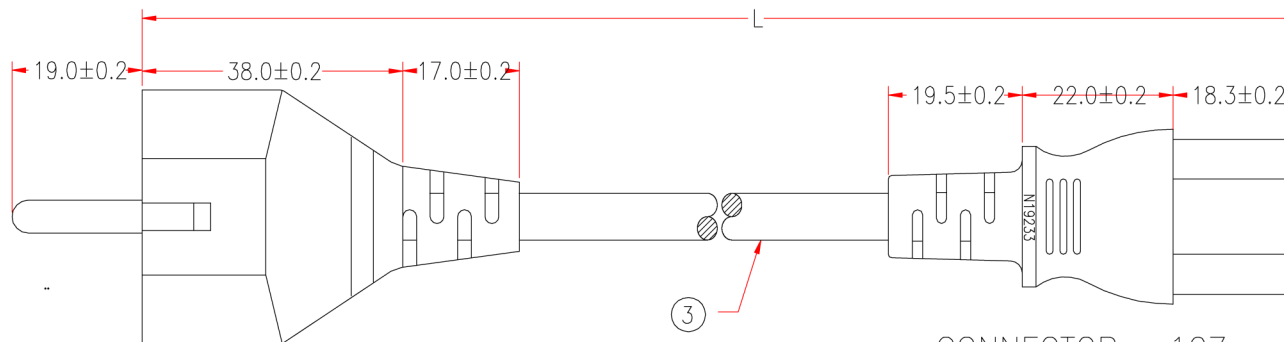
P2: M-005

Customer No:

No.6



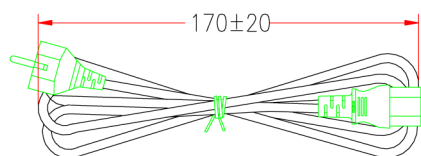
P1



① PLUG: 204

CONNECTOR: 107

P2



P1:

P2:

ITEM NO.	length (L)	length (X)	COLOR
EK508.2	2000mm	1970mm	BEIGE(RAL7032)
EK508SW.2	2000mm	1970mm	BLACK

COLOR SEE LIST

CABLE MARKING:

H05W-F 3G 0.75mm²
 N20050 G TSA-3 3G 0.75mm²

P1	P2
L	L BROWN
N	N BLUE
E	E GREEN/YELLOW

page: 1 of 2

NOTE: All relevant materials are complied with RoHS directive .

No.	DESCRIPTION		Q'TY	Supplier
3	H05W-F 3G 0.75mm ² G TSA-3, OD6.8mm, JACKET COLOR SEE LIST DRAWING No. EPH5V0107503C-027	H5TH15-0304	Xmm	M304
2	MOLDED PVC 45P, COLOR SEE LIST	H1BF01-0304		M304
	BRACKET: YS-003	A1QC14-0767	1	M767
	TERMINAL: 2*4mm, 98744BS-0/A	A1QB24-0257	3	M257
1	MOLDED PVC 45P, COLOR SEE LIST	H1BF01-0304		M304
	BRACKET: 98651A-VDE	A1QA09-0257	1	M257

PART NO. 107204E3FS2F(FP076-02)

Revision:

Cable Length Unless Other Spec.
 Tolerances:
 0 ~200mm ±10mm
 201~1000mm ±20mm
 1001 ~1500mm ±25mm
 1501~2100mm ±30mm
 2100mm↑ ±40mm

APPROVED	
CHECKED	HU
DRAWING	JUDY

DATE 16/DEC/11

ITEM NO. EK508.2+EK508SW.2

UNIT:mm

CHECKED