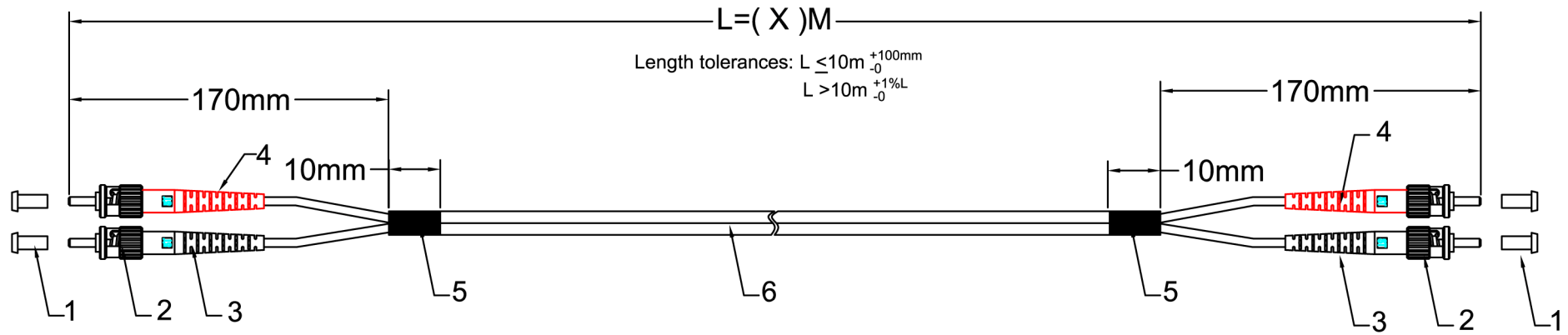


## ST - ST Duplex Jumper, I-V(ZN)H 02G 50/125 $\mu$ OM3, LSZH Aqua Jacket, x meter



### Specifications:

1. Insertion Loss: < 0.3dB @850nm
2. End surface test is according to OP-03-05001
3. Test standard: GR-326-CORE
4. Test report has to match the serial No.
5. RoHS compliant
6. Fiber cable according to IEC 60793-2
7. ST connector according to IEC 60874-10

**RoHS  
compliant**

|             |   |            |
|-------------|---|------------|
| 6           | Ø3.0mm MM duplex OM3 50/125 $\mu$ LSZH Aqua cable |            |
| 5           | Heat shrink tube, black                           | 2          |
| 4           | ST 3.0 boot, red                                  | 2          |
| 3           | ST 3.0 boot, black                                | 2          |
| 2           | ST MM 3.0 connector                               | 4          |
| 1           | Dust cover  | 4          |
| <b>Item</b> | <b>Description</b>                                | <b>Qty</b> |

|  |              |
|--|--------------|
| ST - ST Duplex Jumper, I-V(ZN)H 02G 50/125 OM3, LSZH Aqua Jacket,<br>x meter |              |
| Part No: O7013.X   |              |
| Drawing No:  | Page :1 of 3 |