

## ALLNET Switch industrial unmanaged Layer2 3 Port 2.5 GbE • PoE Budget 90W • 1x PoE bt • 2x SFP 1G/2.5G • Fanless • DIN • IP40 • ALL-SGI8003P-2.5G

>>> [Go to the shop article](#)



EAN CODE



### ALLNET Switch unmanaged industrial 3 Port Gigabit 90W / 1x PoE BT 90W / 2x SFP 1G/2,5G / FANLESS / DIN / IP40 / "ALL-SGI8003P-2.5G"

#### Highlights:

- With 1\*10/100/10002.5G Hi-PoE 90W ports and 2\*2.5G/1000M SFP ports;
- Fiber ports provides 2 modes through the dip switch, 2.5GM mode and 1000M mode to adapt to variety needs;
- Supports relay alarm for power off, network broken and PoE off;
- Supports PoE Auto-check function, which is specially designed to solve the problems of equipment frozen.It can automatically detect the frozen PD equipment and restart the ports' output of PSE, and restart the PD device. It greatly reduces the maintenance difficulty of engineering;
- Supports 6KV surge protection, 6KV contact / 8KV air ESD protection;
- Supports working temperature -30°C~65°C.

The ALLNET ALL-SGI8003P-2.5G represents a state-of-the-art 3-port industrial switch that combines impressive performance with outstanding features. This switch features its 1 \*10/100/1000/2.5G high performance copper PoE port that supports PoE end devices with up to 90W. Supported PoE technologies include IEEE802.3af/at as well as IEEE802.3bt with a maximum power of 90W. In addition to this powerful PoE port, the switch provides 2 additional 2.5G/1000M SFP ports for optional SFP modules suitable for both copper and fiber connections (see accessories). A DIP switch makes it easy to switch the SFP slots between 2.5GM mode and 1000M mode.

An outstanding feature of the switch is the built-in PoE Auto-Check function, specifically designed to troubleshoot



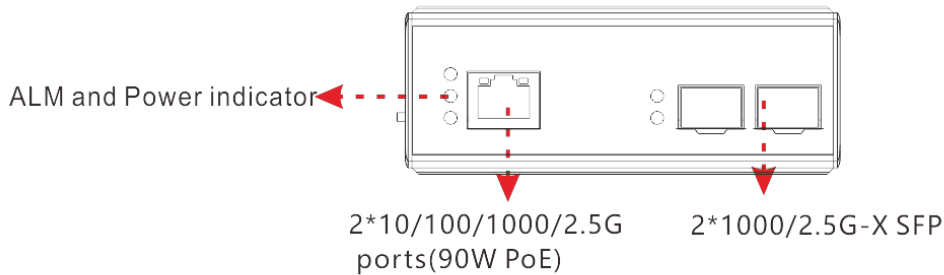
problems with frozen PoE devices. This intelligent feature automatically detects frozen PD devices and resets the output of the PoE copper port to ensure smooth functionality. This significantly reduces maintenance and keeps the technology operating reliably.

The switch is DIN-rail compatible and is ideal for applications in security networks, video surveillance systems, networking and AP installations. In environments where high network speeds and significant PoE performance are required, such as WIFI6 infrastructures, the switch proves to be a perfect choice.

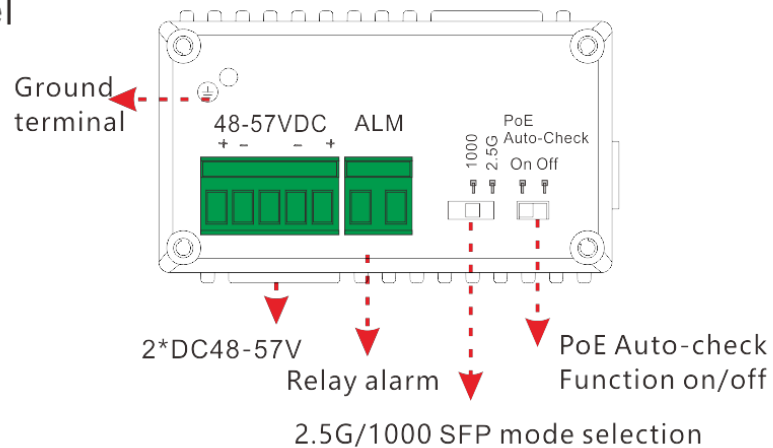
The scope of delivery includes a manual, a DIN rail clamp and a 5-way Phoenix clamp for power connection. A power supply is not included, but suitable power supplies are available as accessories. With the ALLNET ALL-SGI8003P-2.5G, you are relying on a technologically advanced product that will fit seamlessly into your demanding network requirements.

## Front-Panel:

## ● Front panel



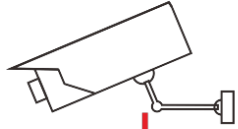
## ● Left panel



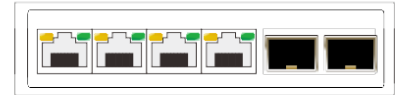
- ▲ **Attention 1:** This product must be well grounded against lightning, please use better than 20# cable to connect the grounding terminal and ground.
- ▲ **Attention 2:**  
3~4 SFP ports 2.5G/1000 working mode: selected by dip switch to 2.5GM or 1000M.
- ▲ **Attention 3:**  
POE Auto-check: PoE Auto-check function is open/ closed by dip switch.  
The switch always auto detect 1 ports whether frozen, if some ports are frozen, the switch will restart them, but other ports are unaffected.

## Application:

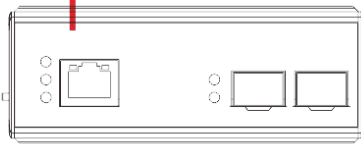
IP camera(PoE)



Switch

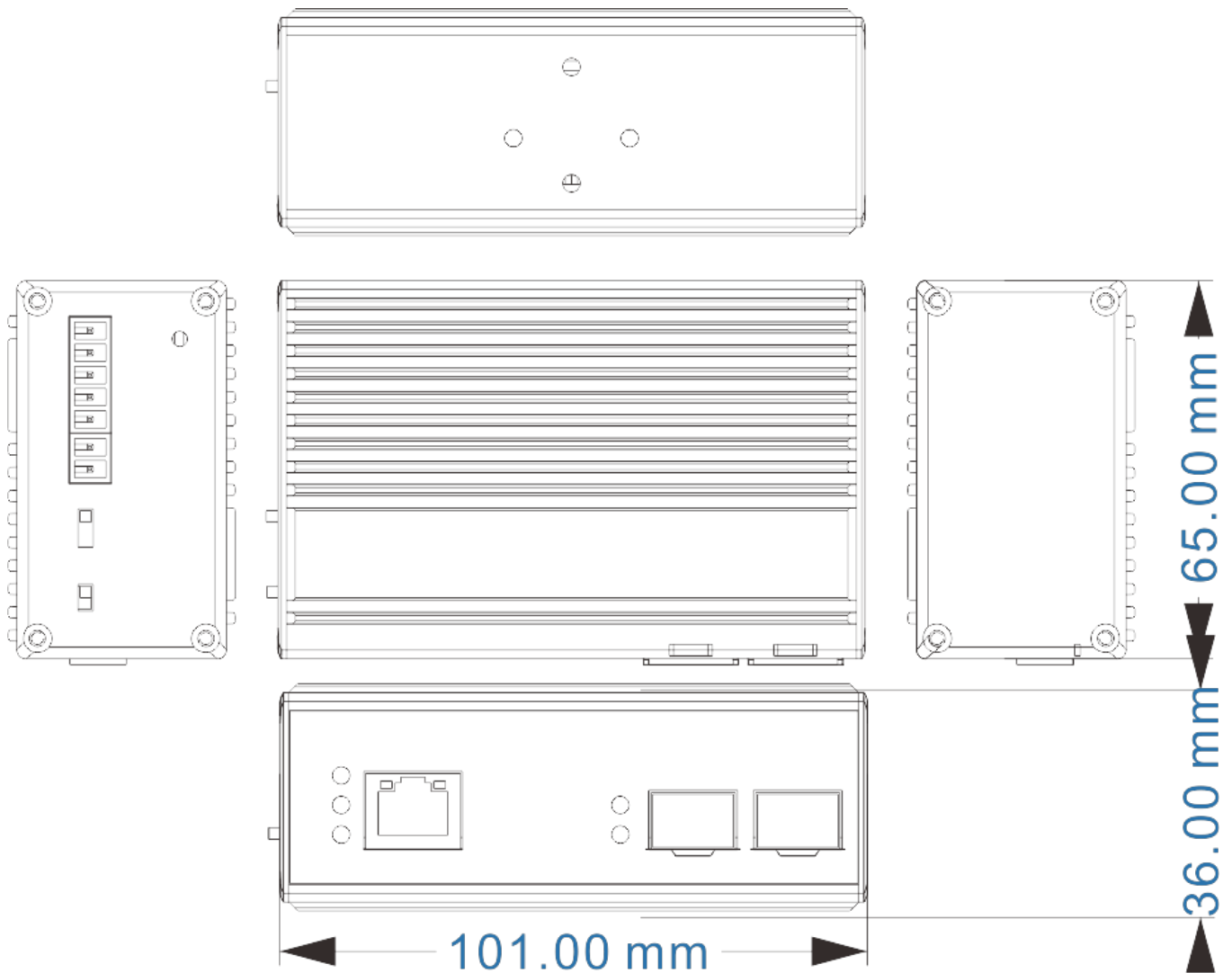


— Fiber  
— PoE  
— Non PoE



NVR

Dimensions:



### Technical Details:

| Parameter                   | Specifications  |
|-----------------------------|---|
| Power supply                | Powered by power adaptor                                  |
| Range of voltage            | DC 48~57V   |
| Consumption                 | Self consumption<5W                                       |
| Downlink ports              | Ports 1 10/100/1000/2.5GBase-T 90W PoE RJ45               |
| Uplink ports                | Ports 2~3 supports 2 modes of 2.5G/1000Base-X             |
| PoE Auto-check              | If detect the frozen PD device, restart it                |
| Working mode of fiber ports | It can be selected 2.5GM or 1000M work mode by dip switch |

|                     |  |
|---------------------|--|
| Relay alarm         | 1 channel relay alarm output for power off, ports PoE off, ports link down   |
| Cable and distance  | Use cat5e/6,100m max   |
| Standard            | IEEE802.3, IEEE802.3u, IEEE802.3z  |
| Switch fabric       | 15Gbps   |
| Though put          | 11.16Mpps  |
| Buffer              | 1M bits  |
| MAC address table   | 8K   |
| Indicator           | Power: 2 *red ;<br><br>Uplink2~3: Green LEDs indicate Link/Act<br><br>Downlink 1: Yellow LED indicate PoE, green LEDs indicate Link/Act<br>Downlink 1: Yellow LED indicate PoE, green LEDs indicate Link/Act |
| Protection          | Surge: 6KV, standard: IEC61000-4-5 ESD: 6KV: contact / 8KV: air, standard:IEC61000-4-2   |
| Working temperature | -30°C~60°C   |
| Storage temperature | -40°C~85°C   |
| Humidity            | 0~95%(No condensation)   |
| Dimension(LxWxH)    | 101 mmx65 mmx36mm  |
| Material            | Aluminium  |
| Colour              | Black  |
| Net-weight          | 300g   |
| Marks               | CE   |

## Attributes

| Attribute             | Value                           |
|-----------------------|---------------------------------|
| Anzahl Ports PoE/LAN: | 1/0                             |
| Belüftung Switch:     | Lüfterlos                       |
| Einsatzort Switch:    | Industrial DIN                  |
| Extra Features:       | IP40                            |
| LAN Geschwindigkeit:  | 100 Mbit/s; 1Gbit/s; 2,5Gbit/s; |
| Management:           | unmanaged                       |



| Attribute            | Value                  |
|----------------------|------------------------|
| PoE Budget:          | <100 Watt              |
| PoE Port Leistung:   | 90W BT                 |
| SFP Geschwindigkeit: | SFP 1Gbit;SFP 2,5Gbit; |
| Weight:              | 0.3 Kg                 |
| Warranty:            | 24.00 Months           |

## Accessories

| Part No. | Name   |
|----------|--|
| 134034   | ALLNET ALL-B100-24VDC / Power-Booster 24VDC to 48~55VDC 90W  |
| 128033   | ALLNET Switch Modul ALL4750-INDU SFP(Mini-GBIC), 1000Mbit MM   |
| 128034   | ALLNET Switch Module ALL4751-INDU SFP(Mini-GBIC), 1000Mbit,  |
| 166757   | ALLNET Switch Modul ALL4752-INDU SFP(Mini-GBIC), 1000Mbit, LX/LC, 20KM, Industrial, -40/+85 Grad,                              |
| 193149   | ALLNET Switch Modul ALL4761-INDU SFP(Mini-GBIC), 1000Mbit, WDM(Bidi)/LC, Tx1310nm/Rx1490nm, 9u, 20Km, Industrial -40/+85 Grad, |
| 193150   | ALLNET Switch Modul ALL4762-INDU SFP(Mini-GBIC), 1000Mbit, WDM(Bidi)/LC, Tx1490nm/Rx1310nm, 9u, 20Km, Industrial -40/+85 Grad, |
| 140675   | ALLNET Switch Module ALL4765 SFP(Mini-GBIC), 1000Mbit  |
| 205746   | ALLNET Switch Modul ALL4790-INDU SFP(Mini-GBIC), 2,5Gbit, Multimode/LC, Industrial -40/+85 Grad,                               |
| 205747   | ALLNET Switch Modul ALL4791-INDU SFP(Mini-GBIC), 2,5Gbit, Singlemode/LC, Industrial -40/+85 Grad,                              |
| 200364   | ALLNET 19"zbh. Gerätehalter für Hutschiene/DIN-Rail Geräte, T150mm/5HE, Lichtgrau, Frontmontage,                               |
| 219373   | ALLNET DIN-RAIL Wandgehäuse, T223mm, Lichtgrau, IP55, SO-DIN-Serie,  |
| 140522   | Mean Well power supply - 48V 120W DIN rail, narrow   |
| 131244   | Mean Well power supply - 48V 240W DIN rail   |
| 140955   | TP(RJ45) POE-Tester, at/af, Endspan/Midspan, standard, Synergy 21,   |
| 99305    | ALLNET / ALL95100 TP Cat 6 / PoE Surge arrester  |
| 198028   | ALLNET TP Cat 6 Überspannungs-/Blitzschutz Surge Protector A   |
| 193972   | ALLNET RJ45 Sicherungskupplung, Abwurfbuchse, PoE fähig, bis   |



Part No.: 205738  
Vendor Part No.: ALL-SGI8003P-2.5G

[Click here to discover more items from this category in our shop.](#)