

NOTE:
 RoHS 3.0 And Reach Compliant
 1.0mm thickness Metallic Panel with plastic powder cladding

Accessory:
 Screw and Nut M6*16mm * 4 set
 Dust cap SC SX type * 24 pcs
 Cable connector PG13.5*4pcs

SinglePack: 1pc/box+label; SubPack:
 no; Carton +labelx2;

MATERIAL LIST:

⑤	Spool	ABS Plastic Material	2	
④	Inner Panel	1.0mm thickness Metallic Panel with plastic powder cladding	1	
③	Mounting	1.5mm thickness Metallic Panel with plastic powder cladding	2	
②	Upper Panel Cover	1.0mm thickness Metallic Panel with plastic powder cladding	1	
①	Outer Panel	1.0mm thickness Metallic Panel with plastic powder cladding	1	
NO.	PARTS NAME	SPECIFICATION DESCRIPTION	QT'Y	REMARK
		NEW	2022-03-10	V0
BY	CHK	REVISION RECORD MODIFICATIONS	DATE	REV.

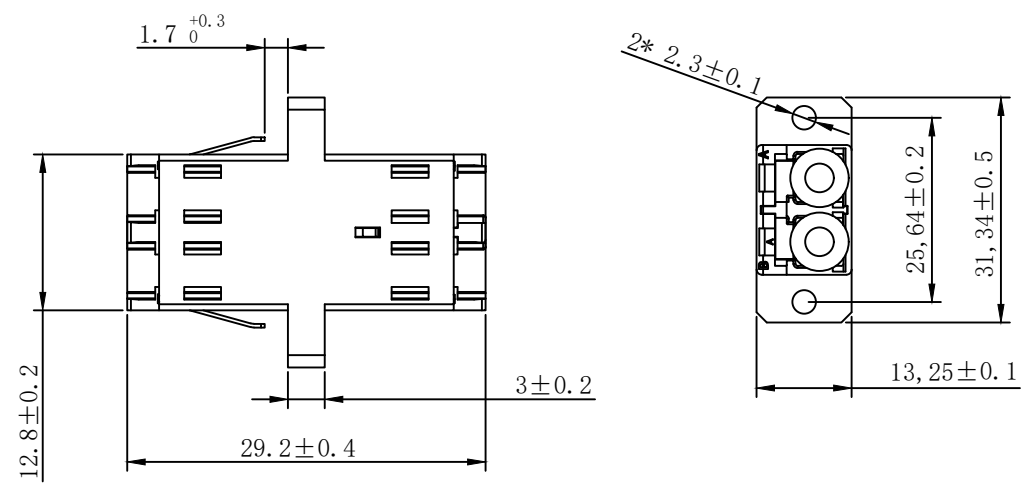
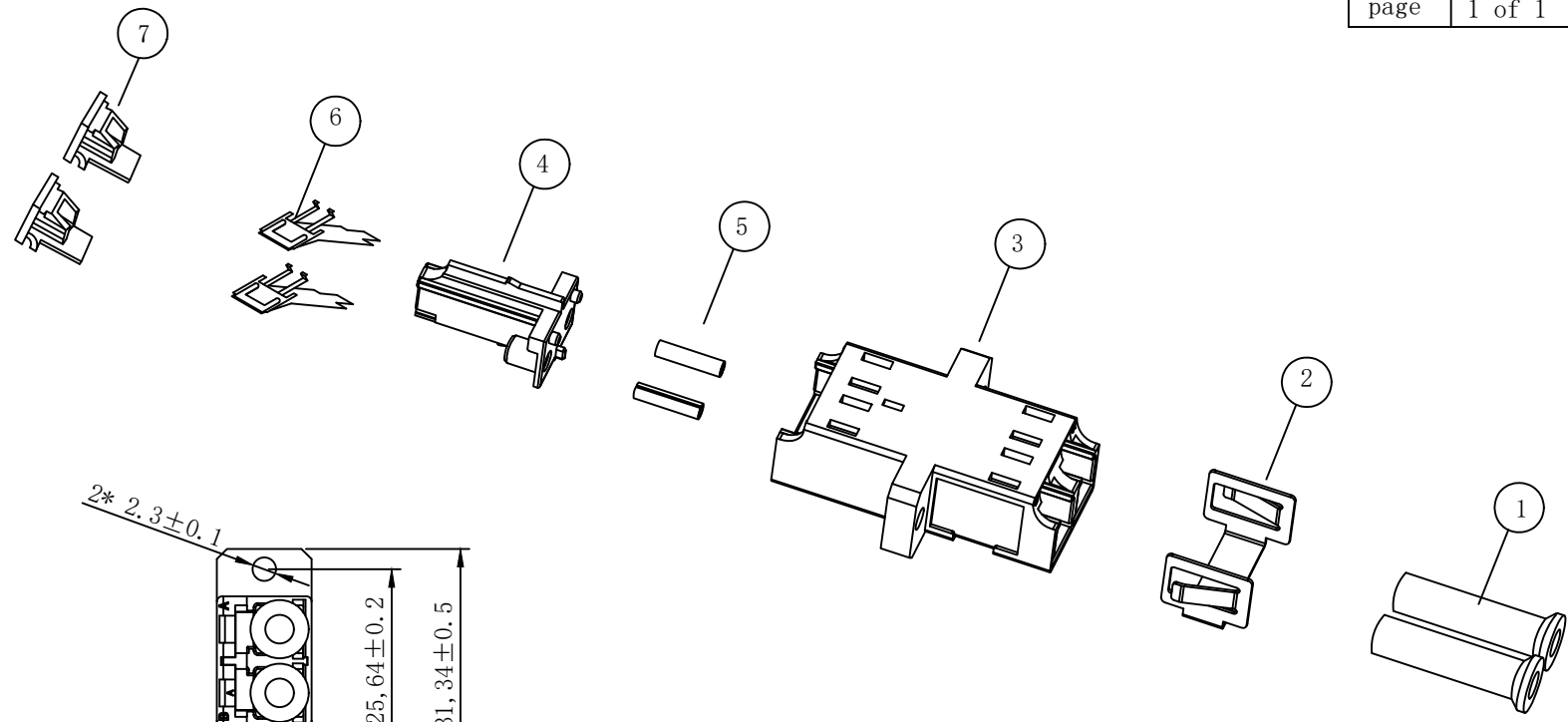
ITEM NO.	Colour
S216299V3	Black RAL9005
S216298V3	Gray RAL7035

SYNERGY21

CUSTOMER	ITEM NO.	SEE THE CHART		
PRODUCT NAME	19" Fiber Optic Patch Panel, 1U sliding type 24port SC Simplex	manufacture country:	CHINA	UNIT MM
DRAWNBY	CHECKBY	APPOBY	DATE	
SYNERGY21	SYNERGY21	SYNERGY21	2022-03-10	

Chart:

ITEM NO.	COLOR
S215426V2	blue
S215592V2	green
S215424V2	Erika violet

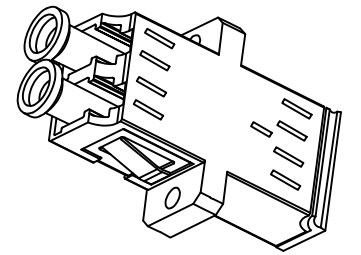


MATERIAL LIST:

⑦	LC White Dust Cap	2pcs	
⑥	Internal laser protection shutter stainless steel	2pcs	
⑤	LC Sleeve ceramic	2pcs	
④	bush COLOR:SEE THE CHART	1pc	
③	LC Body (SC simplex footprint) COLOR:SEE THE CHART	1pc	
②	LC Metal Mount	1pc	
①	LC White Dust Cap	2pcs	
NO.	SPECIFICATION STANDARD	QT' Y	REMARK

NOTE:
RoHS 3.0 & Reach COMPLIANT

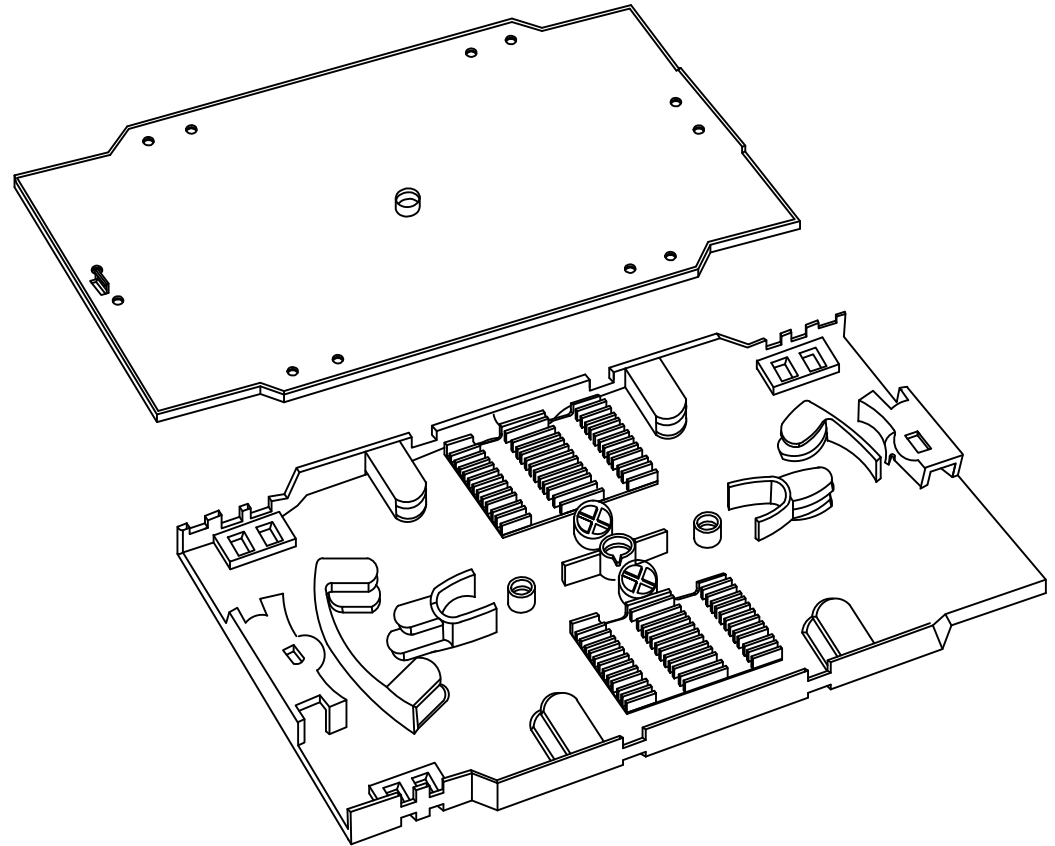
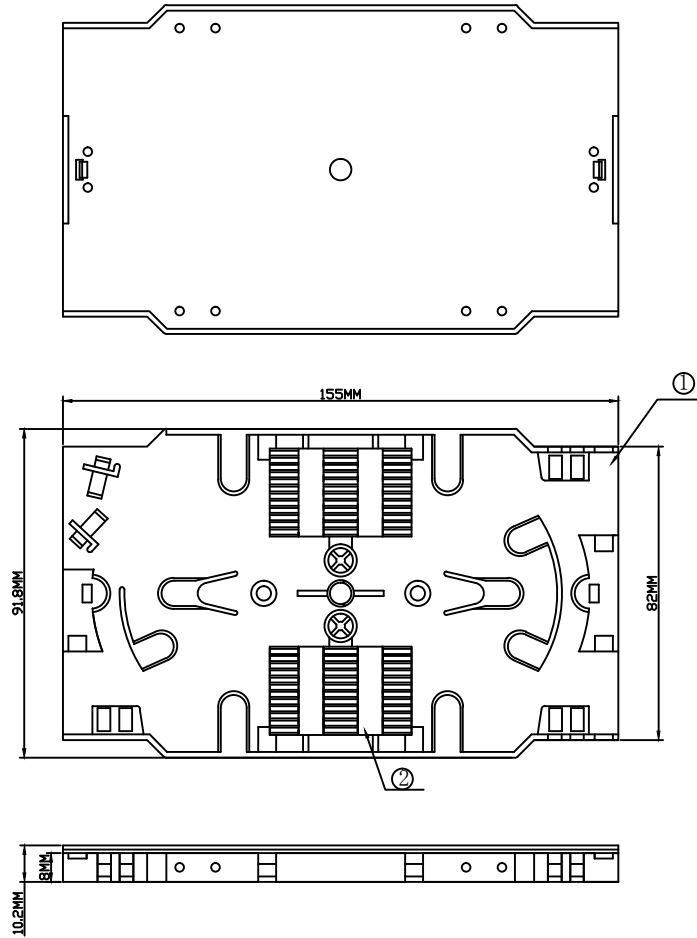
Insertion Loss (dB)	≤0.20
Operating Temperature (° C)	-40 ~+85
Storage Temperature (° C)	-40 ~+85



Blister+Label+Test Report

SYNERGY21					
CUSTOMER		ITEM NO.	See the chart		
PRODUCT NAME	LC Duplex with flange Plastic Adapter with internal Laser Protection shutter	manufacture country:	CHINA	UNIT	MM
DRAWNBY	CHECKBY	APPOBY	DATE		
SYNERGY21	SYNERGY21	SYNERGY21	2022-10-17		

		NEW	2022-10-17	A
BY	CHK	REVISION RECORD MODIFICATIONS	DATE	REV.



- with 2* 12 core splicing Holder ,black
 - Material:Plastic (Non fire retardant)
 - Color: beige
 - RoHS 2.0 and Reach Compliant
- Packing:1pcs/PE bag+label 1, 100pcs/innet carton+outer carton+label 3

MATERIAL LIST:

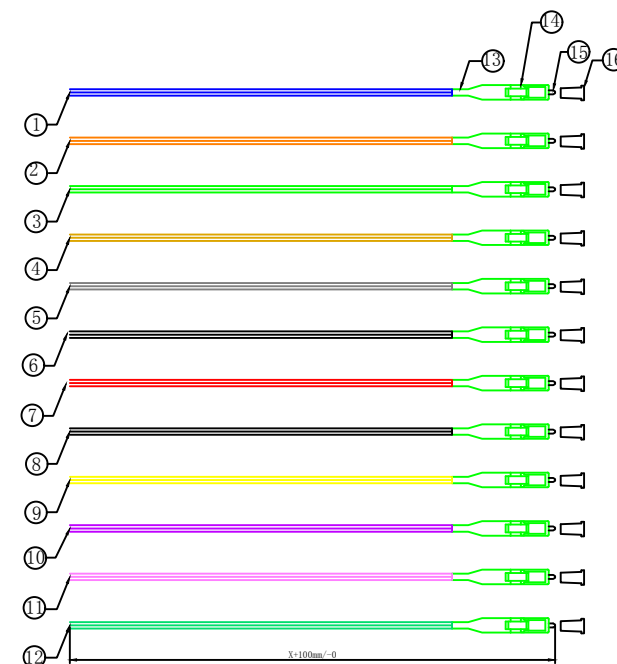
②	Splic Holder	ABS/Black	2		SYNERGY 21					
①	Splicing tray	24 cores splicing tray, ABS/Beige	1							
NO.	PARTS NAME	SPECIFICATION DESCRIPTION	QT' Y	REMARK	CUSTOMER	ITEM NO.	S215474			
					PRODUCT NAME	Splicing tray with 2pcs of 12core holders	manufacture country	CHINA	UNIT	MM
		NEW	2017. 04. 27	A	DRAWNBY	CHECKBY	APPOBY	DATE		
BY	CHK	REVISION RECORD MODIFICATIONS	DATE	REV.	SYNERGY 21	SYNERGY 21	SYNERGY 21	2017. 04. 27		

NOTE:

- 1.The primary coating and secondary coating have the same color
- 2.Loose buffered,easy strip type at least 1m
- 3.ROHS 2.0 (EU)/2015/863 and REACH compliant

MATERIAL LIST:

⑬	LC White Dust Cap	12	
⑮	LC/APC 8° SM Ferrule 125-126um	12	
⑭	LC SM Green 0.9 Connector	12	
⑬	LC 0.9 Green Boot	12	
⑫	Fiber Cable LOOSE TUBE SM 9/125 G657.A2 0.9mm TURQUOISE LSZH	Xm	
⑪	Fiber Cable LOOSE TUBE SM 9/125 G657.A2 0.9mm PINK LSZH	Xm	
⑩	Fiber Cable LOOSE TUBE SM 9/125 G657.A2 0.9mm VIOLET LSZH	Xm	
⑨	Fiber Cable LOOSE TUBE SM 9/125 G657.A2 0.9mm YELLOW LSZH	Xm	
⑧	Fiber Cable LOOSE TUBE SM 9/125 G657.A2 0.9mm BLACK LSZH	Xm	
⑦	Fiber Cable LOOSE TUBE SM 9/125 G657.A2 0.9mm RED LSZH	Xm	
⑥	Fiber Cable LOOSE TUBE SM 9/125 G657.A2 0.9mm WHITE LSZH	Xm	
⑤	Fiber Cable LOOSE TUBE SM 9/125 G657.A2 0.9mm GREY LSZH	Xm	
④	Fiber Cable LOOSE TUBE SM 9/125 G657.A2 0.9mm BROWN LSZH	Xm	
③	Fiber Cable LOOSE TUBE SM 9/125 G657.A2 0.9mm GREEN LSZH	Xm	
②	Fiber Cable LOOSE TUBE SM 9/125 G657.A2 0.9mm ORANGE LSZH	Xm	
①	Fiber Cable LOOSE TUBE SM 9/125 G657.A2 0.9mm BLUE LSZH	Xm	
NO.	SPECIFICATION STANDARD	QT' Y	REMARK



Type	Single-Mode
Insertion Loss	≤0.3dB (IEC 61300-3-4)
Return Loss	≥60dB (IEC 61300-3-6)
Test Wavelength	1310nm
Group Refractive Index	1.466@1310nm 1.467@1550nm


SYNERGY 21									
CUSTOMER						ITEM NO.	see the chart		
PRODUCT NAME	Pigtail LC/APC SM 9/125 μm 12 set coloured		manufacture country		CHINA	UNIT	MM		
DRAWNBY	CHECKBY	APPOBY		DATE					
SYNERGY 21	SYNERGY 21	SYNERGY 21		2021-12-06					

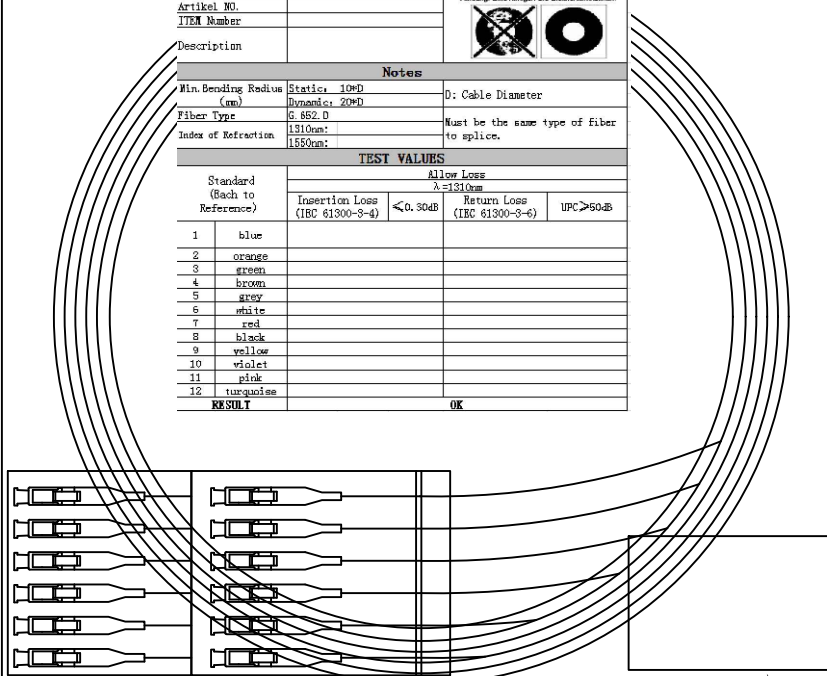
				2021-12-06	A				
BY	CHK	REVISION RECORD MODIFICATIONS			DATE	REV.	SYNERGY 21	SYNERGY 21	SYNERGY 21

Chart:

ITEM NO.	LENGTH.	Artikel NO.	PACKING
S215594V2	1.5M	127270	1pc/SYNERGY 21 A bag/test report+label

SYNERGY 21

TEST REPORT			
Batch No.		Attention: Please clean the fiber surfaces! Achtung: Bitte reinigen Sie Steckverbindungen!	
Artikel NO.			
ITEM Number			
Description			
Notes			
Min. Bending Radius (mm)	Static: 10* ϕ Dynamic: 20* ϕ	D: Cable Diameter	
Fiber Type	G 862-D	Must be the same type of fiber to splice.	
Index of Refraction	1310nm: 1550nm:		
TEST VALUES			
Standard (Back to Reference)	Allow Loss		
	$\lambda=1310nm$		
	Insertion Loss (IEC 61300-3-4)	$\leq 0.30dB$	Return Loss (IEC 61300-3-6) $UPC > 50dB$
1	blue		
2	orange		
3	green		
4	brown		
5	grey		
6	white		
7	red		
8	black		
9	yellow		
10	violet		
11	pink		
12	turquoise		
RESULT		OK	



Label

SYNERGY 21					
CUSTOMER				ITEM NO.	see the chart
PRODUCT NAME	Pigtail LC/APC SM 9/125 μm 12 set coloured	manufacture country	CHINA	UNIT	MM
BY	CHK	NEW	DATE	REV.	A
SYNERGY 21	SYNERGY 21	SYNERGY 21	SYNERGY 21	SYNERGY 21	2021-12-06

		NEW	2021-12-06	A	DRAWNBY	CHECKBY	APPOBY	DATE
BY	CHK	REVISION RECORD MODIFICATIONS	DATE	REV.	SYNERGY 21	SYNERGY 21	SYNERGY 21	2021-12-06