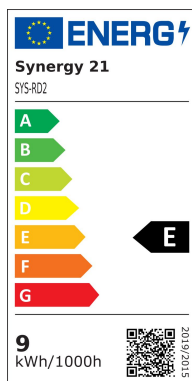


Synergy 21 LED subordinate inground spots 9W RGB+CCT with RF and WLAN *Milight/Miboxer*



kwh/1000h:	9,00
Lumens:	700
Watt:	9,0
Nominal Service Life:	35000 Std.
Switching Cycles:	50000
Opt. Ambient Temperature.:	25 °C



Experience impressive lighting effects with the **9W RGB+CCT LED Underground Light**. This versatile underground light offers a powerful and efficient lighting solution for a wide range of outdoor applications.

The **9W RGB+CCT LED Underground Light** operates with an **input voltage of DC24V** and delivers an **output of 9W**. With an adjustable **colour temperature of 2700~6500K**, it provides the perfect atmosphere, regardless of whether warm or cold light is required. The **light intensity of 700 lumens** and a **light efficiency of 80LM/W** ensure bright and clear illumination. The **colour rendering index (CRI) of >80** ensures that colours are displayed naturally and vividly.

The durable design offers a **lifespan of 50,000 hours**, so you can enjoy your lighting for a long time. With a **beam angle of 15°**, this light is particularly suitable for targeted lighting effects and accent lighting in outdoor areas. The high protection class **IP68** makes it completely waterproof and ideal for use in damp or wet environments.

The **compact dimensions of 150x138x104mm** allow flexible and easy installation in a wide variety of environments. With an **energy consumption of 9 kWh/1000h**, this underground light is not only powerful but also energy-efficient.

Improve your outdoor lighting with the **9W RGB+CCT LED Underground Light** and enjoy the benefits of a modern, efficient and customisable light source.

Product Name: 9W RGB+CCT LED Underground Light
(Subordinate Lamp)
Model No.: SYS-RD2
Input Voltage: DC24V

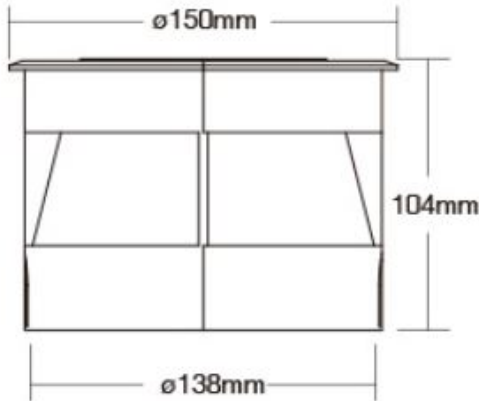
Power: 9W
Working Temperature: -20~60°
Colour temperature: 2700~6500K
Luminous Flux: 700LM
Light Efficiency: 80LM/W
CRI: >80
Lifespan: 50000h
Beam Angle: 15°
IP Rate: IP68
size: 150*138*104mm

Energy efficiency class: E
kWh/1000h: 9

Attributes

Attribute	Value
Abstrahlwinkel:	15
CC oder CV:	CV
CRI:	80
Dimmbar:	Ja
Grösse:	150*138*104
Lichtfarbe:	RGB-WW
Lichtfarbe in Kelvin:	2700~6500
Lumen:	700
Schutzklasse:	IP68
Volt:	24
Weight:	1 Kg
Warranty:	24.00 Months

Additional Images



Brightness adjustable & Color temperature adjustable

Brightness adjustable, Adjust the color temperature from 2700-6500K, make the light you want



Stainless steel surface ring

High quality stainless steel materials;
not easy to fade and sunproof



Stalinite mask

Made of high quality stalinite, High hardness,
nonbreakable and high light-transmittance





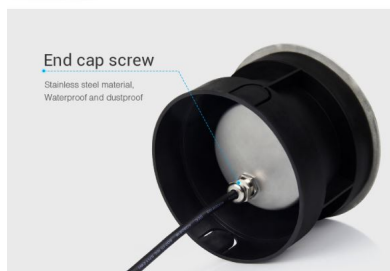
Optical Lens

Anti-dazzling optical lens; diverging light scientifically. Symmetrical and bright light ray



PC built-in fitting

Pressure and corrosion resistance, not easy to deformation, easy installation



End cap screw

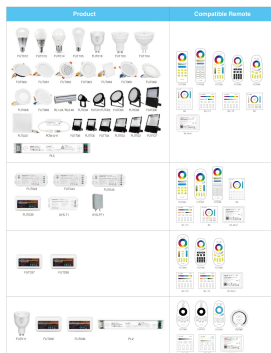
Stainless steel material. Waterproof and dustproof



Integrated convection heat dissipation

Convection design, better heat dissipation, safe and stable

COMPATIBLE REMOTE SHEET



Accessories

Part No.	Name
158699	Synergy 21 LED subordinate garden lamp 15W RGB+CCT with RF and WLAN IP65 24V Milight/Miboxer*
158700	Synergy 21 LED subordinate garden lampe 9W RGB+CCT with RF and WLAN IP65 24V *Milight/Miboxer*
158702	Synergy 21 LED subordinate pool light 12W RGB+CCT with RF and WLAN *Milight/Miboxer*
158703	Synergy 21 LED subordinate wall washer 24W RGB+CCT IP66 24V *Milight/Miboxer*

Part No.	Name
158704	Synergy 21 LED subordinate controller 1-channel amplifier *Milight/Miboxer*
158705	Synergy 21 LED subordinate controller 1-channel host *Milight/Miboxer*
158962	Synergy 21 LED subordinate kabel/plug SYS series *Milight/Miboxer*
158963	Synergy 21 LED subordinate kabel/plug SYS series *Milight/Miboxer*
158964	Synergy 21 LED subordinate kabel/plug SYS series *Milight/Miboxer*
158965	Synergy 21 LED subordinate kabel/plug SYS series *Milight/Miboxer*