

Materials:

Outlet Housing: Fireproof ABS /Colour:White RAL9010

Outlet Base:Firepfoof ABS /Colour:White RAL9010

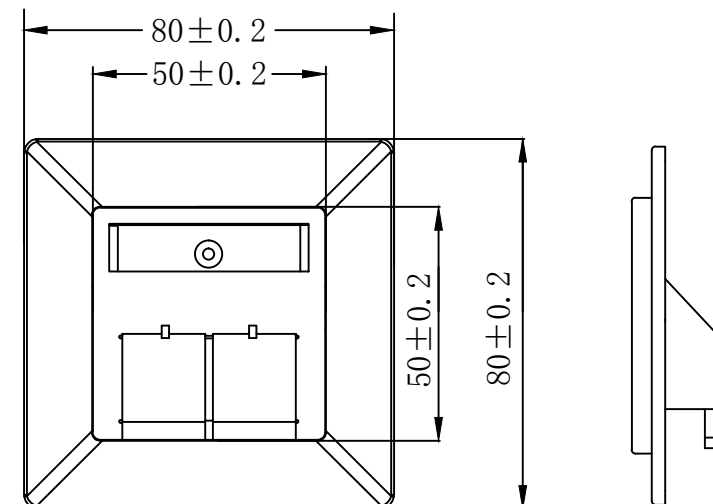
Metalic Plate:Al&Zn Alloy /Al&Zn Alloy,

ACCESSORY :

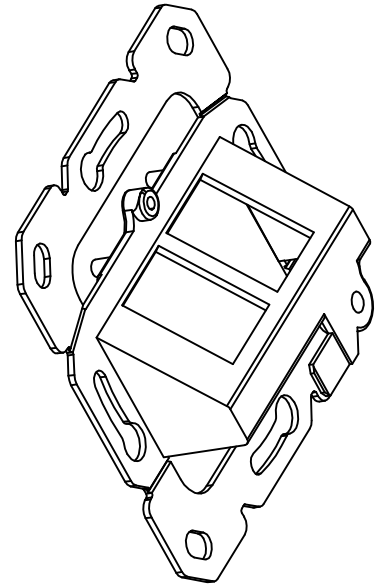
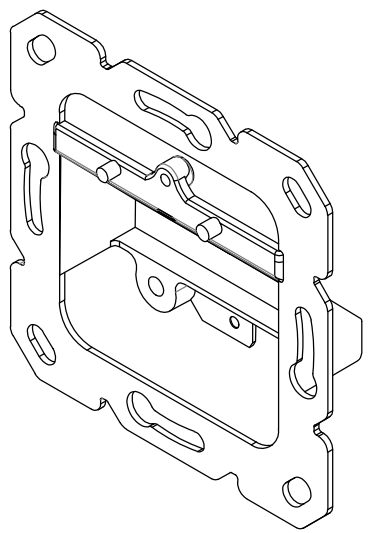
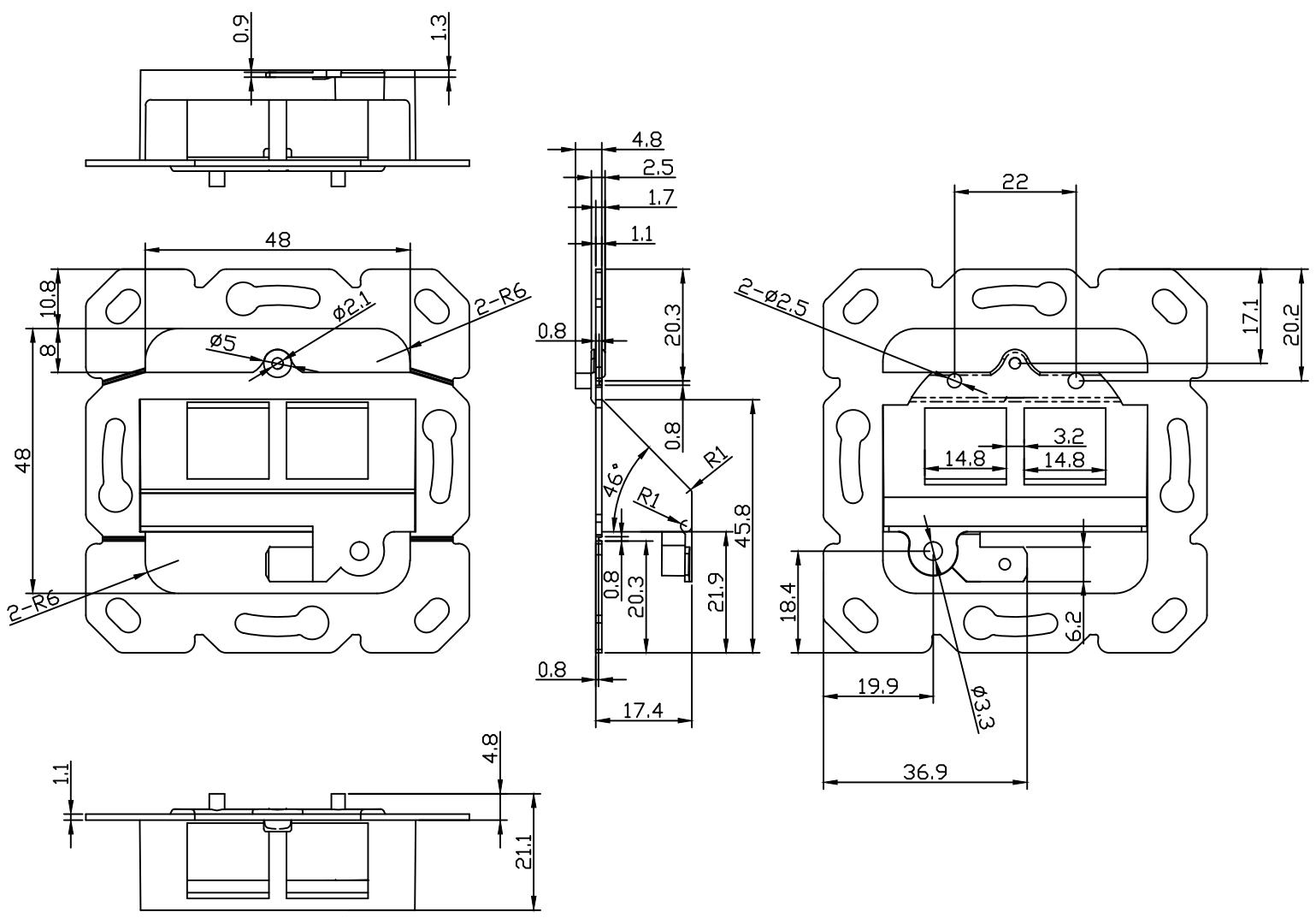
1. Label
2. Plastic gasket
3. Screw:M2. 4*6*1Pcs

PACKING:1pcs/PE bag+lable1, 12pcs/box+lable2, 120pcs/ctn+lable1

RoHS 2.0 And REACH Compliant



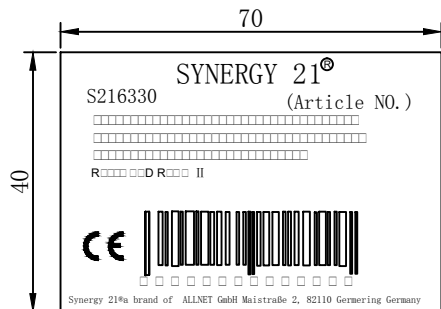
SYNERGY 21												
		CUSTOMER			ITEM NO.			S216330				
		UPDATE PACKING TYPE			2018-03-20	A1	PRODUCT NAME	Faceplate Germany 2PORT	manufacture country	China	UNIT	MM
		NEW			2015-02-11	A	DRAWNBY		CHECKBY	APPOBY	DATE	
BY	CHK	REVISION RECORD MODIFICATIONS			DATE	REV.	SYNERGY 21	SYNERGY 21	SYNERGY 21	SYNERGY 21	2018-03-20	



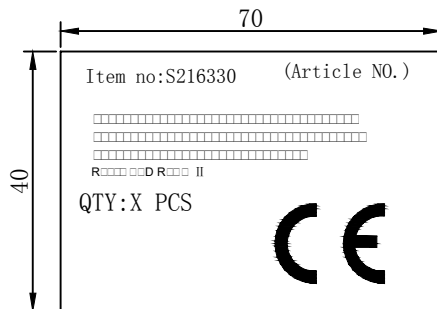
SYNERGY 21

		UPDATE PACKING TYPE		2018-03-20	A1	PRODUCT NAME	Faceplate Germany 2PORT	manufacture country	China	UNIT	MM
		NEW		2015-02-11	A	DRAWNBY	CHECKBY	APPOBY	DATE		
BY	CHK	REVISION RECORD MODIFICATIONS		DATE	REV.	SYNERGY 21	SYNERGY 21	SYNERGY 21	2018-03-20		

CUSTOMER		ITEM NO.	S216330
----------	--	----------	---------



Label 1



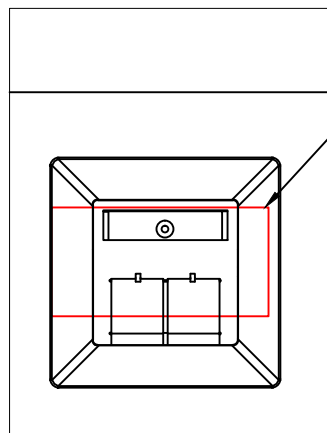
lable 2



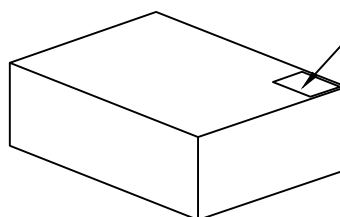
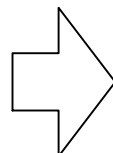
PO NO. :
REACH and ROHS 2.0 Compliant
MADE IN CHINA

SIDE MARK

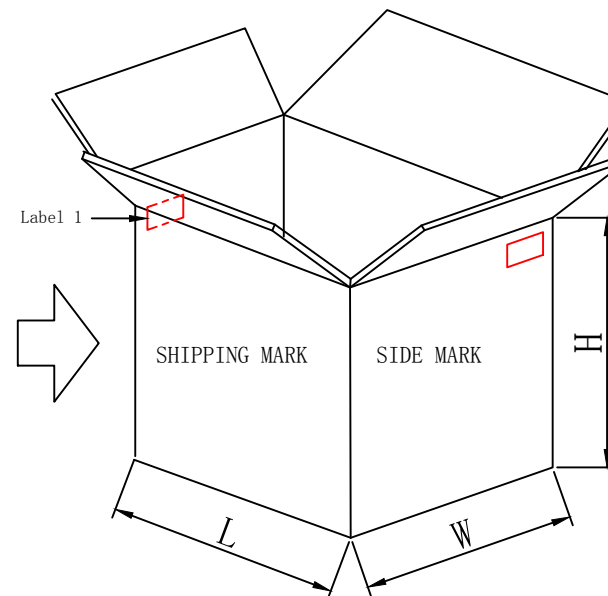
PO NO. :
Item no:
Q' TY:
N. W
G. W
Carton no.
MEAS.



1PCS/PE bag+label1



12pcs/box+label2



120pcs/ctn+label 1

□□□:

1. Packing:1pcs/PE bag+label 1, 12pcs/box+label 2, 120pcs/ctn+label 1
2. “工” type sealing
3. “井” type packaging

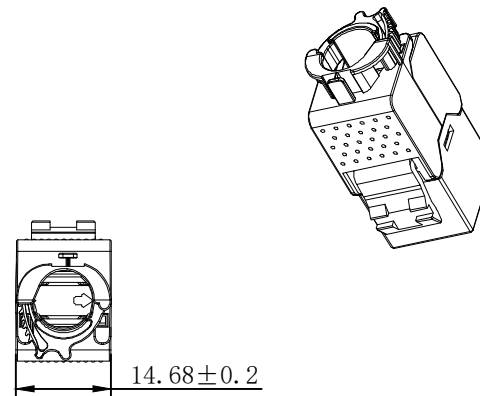
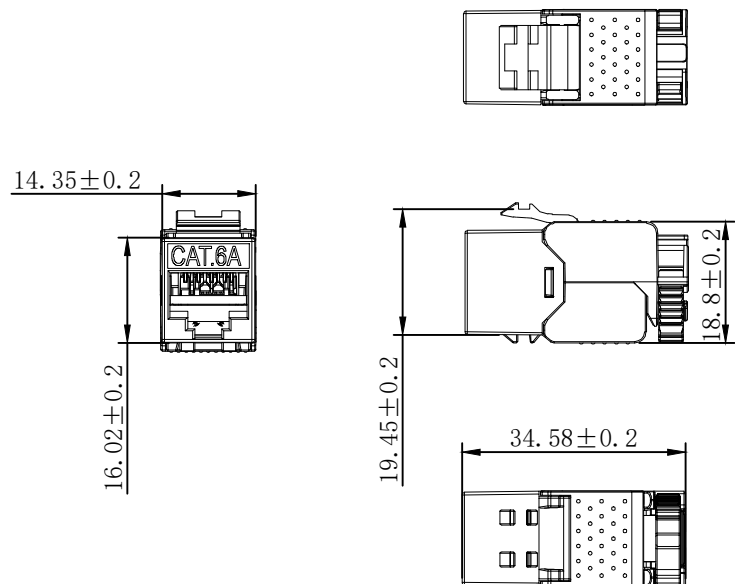
SYNERGY 21										
CUSTOMER			ITEM NO.			S216330				
PRODUCT NAME		PACKING	manufacture country:	china	UNIT	MM				
DRAWNBY			CHECKBY		APPOBY		DATE			
BY	CHK	REVISION RECORD MODIFICATIONS			DATE	REV.	SYNERGY 21	SYNERGY 21	SYNERGY 21	2018-03-20

UPDATE PACKING TYPE

2018-03-20 A1

NEW

2014-09-25 A



NOTES:

ELECTRICAL:

- Contact Resistance : $20M\Omega$ MAX
- Insulation Resistance : $500M\Omega$ MIN @ 500V DC
- Withstand Voltage : DC 1000V AC 700V RMS 60Hz, 1MIN
- Compliance with Class EA up to 500 MHz to ISO/IEC 11801 Ed.2.2:2011-06
DIN EN 50173-1:2011-09
TIA/EIA-568-C.2 (2009-08)
IEC 60603-7 Ed.1 (12/2008)

ENVIRONMENTAL:

- Storage temperature : -40° TO $+70^{\circ}$
- Operation temperature : -10° to $+60^{\circ}$

MECHANICAL

- SHIELD MATERIAL: ZINC ALLOY
 - IDC MATERIAL: PC TERMINAL:PHOSPHOR BRONZE, TIN PLATING
 - RJ45 Contact Life: 750 Times Min
 - Plug inforce: $<30N$
 - Solid cable: $1/22AWG(0.65MM)-1/26AWG(0.40MM)$ ID: $1.05MM-1.5MM$
 - Cable OD: 5.0mm-8.0mm
 - PoE per IEEE 802.3af, PoE+ per IEEE 802.3at
 - 360° Shield connection
- Packing: 1pc/PE bag+lable
(copper foil included)
RoHS 3.0 and REACH Compliant

MATERIAL LIST:

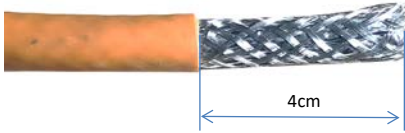
⑦	IDC TERMINAL	FOR 22-26AWG (0.45mm-0.65mm) CABLE	1	
⑥	LABEL COLOR CODE	T568A/B	2	
⑤	IDC PIN	PHOSPHOR BRONZE & TINNED	8	
④	IDC BODY	FIREPROOF/PC UL 94V0	1	
③	PCB	1.2mm UL 94V0	1	
②	RJ 45 JACK INSERT	PHOSPHOR BRONZE 8P8C GOLD PLATED	8	
①	MODULAR COVER	ZINC ALLOY	1	
NO.	PARTS NAME	SPECIFICATION DESCRIPTION	QT'Y	REMARK
		NEW	2022-12-06	A
BY	CHK	REVISION RECORD MODIFICATIONS	DATE	REV.

SYNERGY21

CUSTOMER		ITEM NO.	S216382		
PRODUCT NAME	Super slim Cat.6A/Class EA Keystone Jack	manufacture country:	CHINA	UNIT	MM
DRAWNBY	CHECKBY	APPOBY	DATE		
SYNERGY21	SYNERGY21	SYNERGY21	2022-12-06		

Installationsanleitung/Installation guide

Keystone Jack



①.Stripping 4cm of sheath.



②.foldback braided and drained wire.



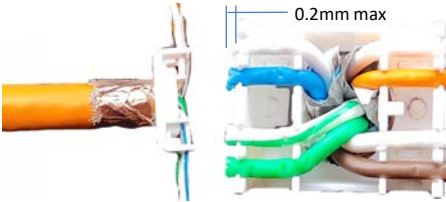
③.paste copper foil on the braided and ground wire and cut off the excess weave and the ground wire



④.4.Fan out all four twisted pairs, allocate each by following colorcoding label



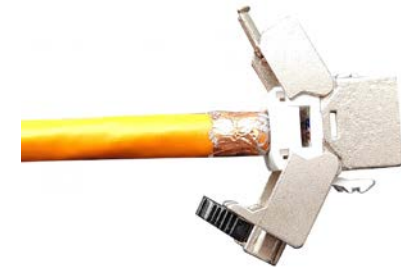
⑤.Across the holde by the color marks of T568A or T568B



⑥. allocate each conductor into proper slots on wiring cap by following color coding



⑦.Trim the theends of conductors.



⑧.install the termination cap in direction of arrow into the keystone jack



⑨.press both covers of the keystone jack to contact the cable



⑩.Fasten smart cable ties for 360 degree shielding