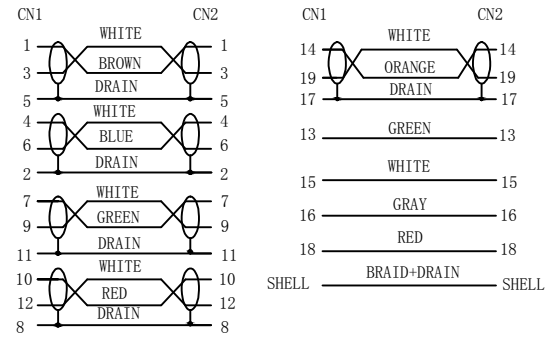


PIN OUT



NOTE:

1. Electrical test:

- (1). 100% open short & miss wire test;
- (2). Insulation resistance: DC 300V 10M ohm;
- (3). Contactor resistance: 5 ohm;
- (4). Dielectric strength: 150V AC/Sec, 1mA.
- (5). Computer + HDTV TEST 3840\*2160@60Hz 4:4:4 8bit

2. RoHS2.0 AND REACH COMPLIANT

3. PRINT WORD: High Speed HDMI® Cable with Ethernet E\*\*\*\*\* 兄 AWM STYLE 20276 80°C 30V VW-1

4. PACKING: 1PC/SYNERGY 21 Bag A Bag+LABLE 1, 10PCS/PE bag+LABLE 2, inner carton+outer carton+LABLE 3

MATERIAL LIST:

④	OUTER MOLD	PVC 88A Black	2	
③	INNER MOLD	LD-PE	2	
②	HDMI Connector	19P A/Male The Pin Gold Plated, The Shell Gold Plating	2	
①	CABLE	(28WG BC*1P+E+AM)*5P+28AWG BC*4C+AEB PVC/Black OD 7.3±0.2mm	1	
NO.	PARTS NAME	SPECIFICATION STANDARD	QT' Y	REMARK

ITEM NO	LENGTH	PACKING
S215411V2	5000±70mm	SYNERGY 21 Bag

SYNERGY 21

CUSTOMER	AN	ITEM NO.	SEE THE CHART		
PRODUCT NAME	HDMI2.0b 19P AM-AM WITH ETHERNET 28AWG	manufacture country:	CHINA	UNIT	MM
DRAWNBY	CHECKBY	APPOBY	DATE		
SYNERGY 21	SYNERGY 21	SYNERGY 21	2019-09-26		

		NEW	2019-09-26	A
BY	CHK	REVISION RECORD MODIFICATIONS	DATE	REV.