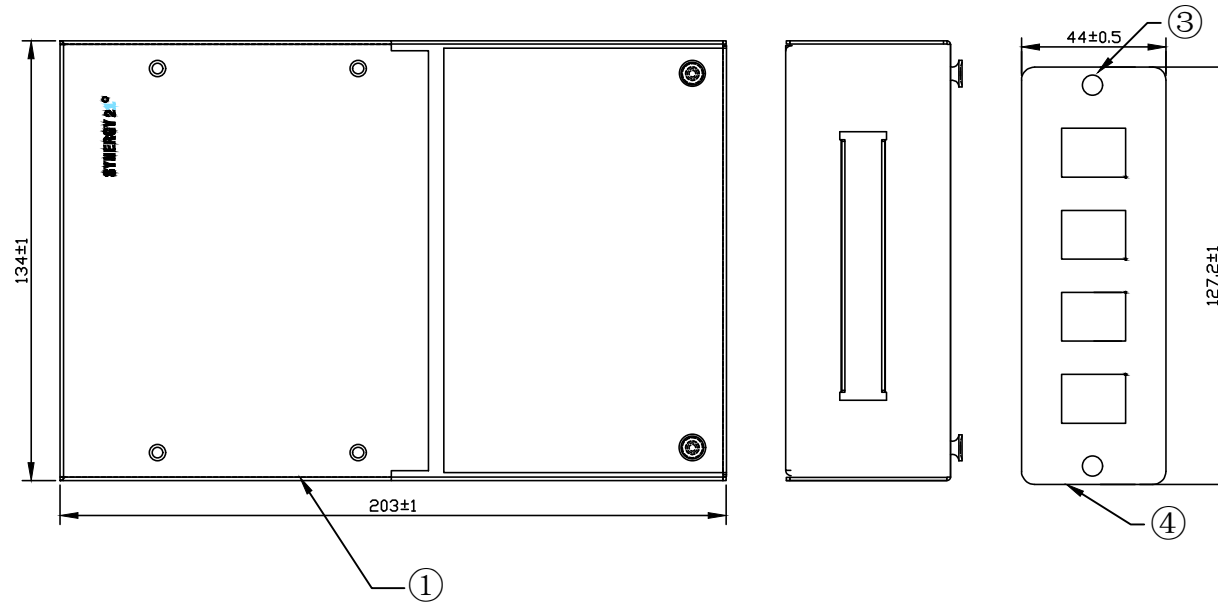


# SYNERGY 21<sup>®</sup>

"SYNERGY 2<sup>®</sup>" for black printing The pantone of Color is grey  
 "1" for blue printing The pantone of Color is 298C



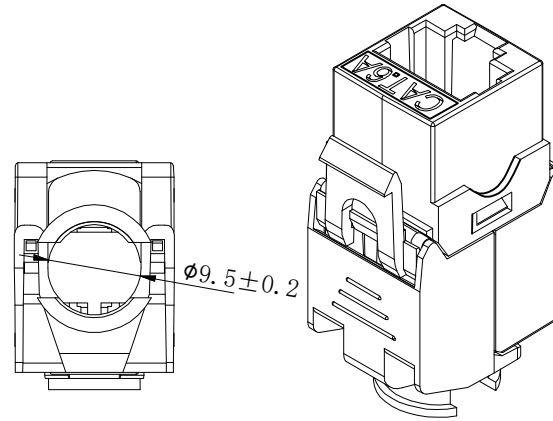
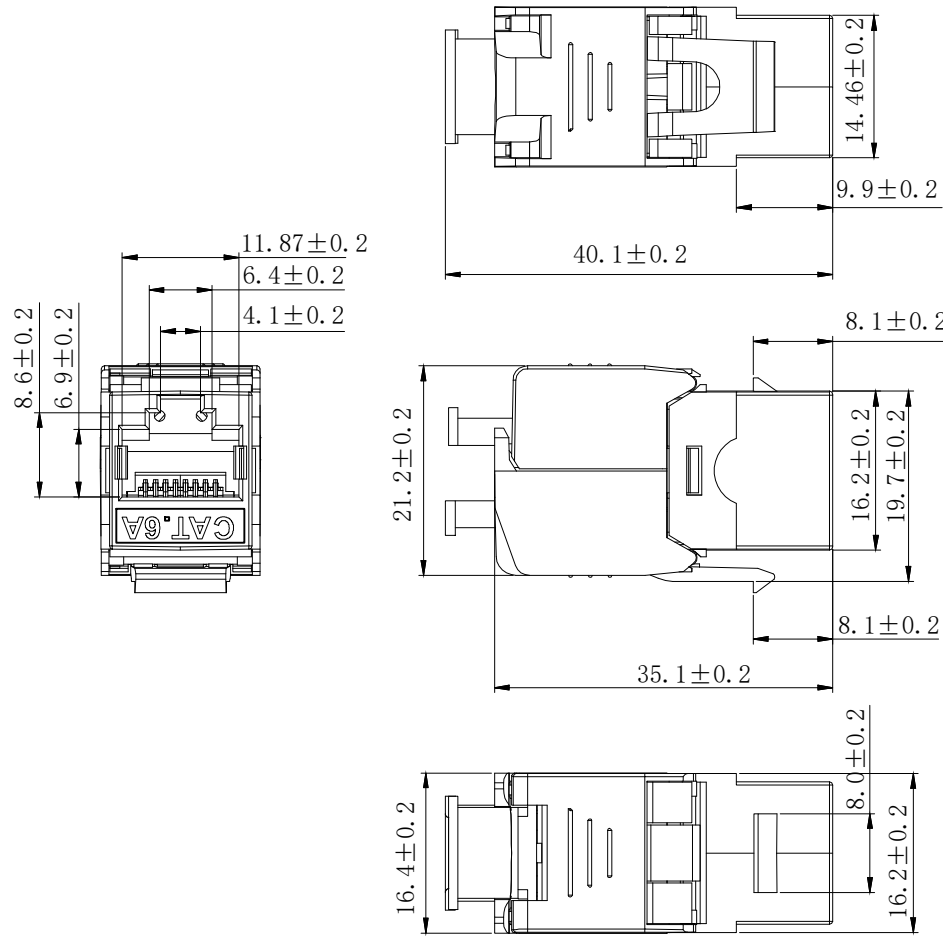
**NOTE:**

1. Suitable for copper and fiber optic technology
2. Expandable for installation on DIN rails with optional accessories (S216385)
3. Cable input and cable output with cable management and dust-proof foam
4. Protection type: IP20
5. RoHS3.0 AND REACH COMPLIANT
6. Storage temperature : -20°C--+80°C
7. Operation temperature: -10°C--+60°C
8. Packing:1pc/Box+label

**MATERIAL LIST:**

④	Panel	4port for RJ45 Keystone modules SPCC T=1.0MM with plastic powder cladding	1	
③	Push and pull buckle	BLACK	4	
②	Top Cover	SPCC T=1.0MM with plastic powder cladding	1	
①	Bottom Panel	SPCC T=1.0MM with plastic powder cladding	1	
NO.	PARTS NAME	SPECIFICATION DESCRIPTION	QT' Y	REMARK
		NEW	2023-03-27	A
BY	CHK	REVISION RECORD MODIFICATIONS	DATE	REV.

<b>SYNERGY21</b>					
CUSTOMER		ITEM NO.		S216383	
PRODUCT NAME		manufacture country:		CHINA	UNIT MM
Consolidation Point Box		APPOBY		DATE	
DRAWNBY		CHECKBY		DATE	
SYNERGY21		SYNERGY21		SYNERGY21 2023-03-27	



- NOTES:
- ELECTRICAL:
- Contact Resistance : 20MΩ MAX
  - Insulation Resistance : 500MΩ MIN @ 500V DC
  - Withstand Voltage : DC 1000V AC 700V RMS 60Hz, 1MIN
  - Compliance with Class EA up to 500 MHz to ISO/IEC 11801 Ed. 2.2:2011-06  
DIN EN 50173-1:2011-09  
TIA/EIA-568.2-D (2009-08)  
IEC 60603-7 Ed.1 (12/2008)
- ENVIRONMENTAL:
- Storage temperature : -40°C to +70°C
  - Operation temperature : -10°C to +60°C

- MECHANICAL
- SHIELD MATERIAL: ZINC ALLOY
  - IDC MATERIAL: PC TERMINAL:PHOSPHOR BRONZE, TIN PLATING
  - RJ45 Contact Life: 750 Times Min
  - Plug inforce:<30N
  - Solid cable:1/22AWG (0.65MM)-1/26AWG (0.40MM) ID:1.05MM-1.5MM
  - Cable OD: 5.0mm-8.5mm
  - PoE per IEEE 802.3af, PoE/per IEEE 802.3at, PoE/per IEEE 802.3bt PoE++
  - 360° Shield connection
  - Fluke Test: Permanent link ISO11801 (PL2) Class Ea
  - RoHS 3.0 and REACH Compliant
- Accessories:
- Instruction Sheet \*lpc/inner box  
Cable Tie (75X1.9mm) \*1Pc  
Packing:lpc/PE bag+label

MATERIAL LIST:

⑦	MODULAR COVER	PC with T568A/B label	1	
⑥	RJ 45 JACK INSERT	8P8C PHOSPHOR BRONZE GOLD PLATED	8	
⑤	PCB	FR-4 1.6mm UL 94V0	1	
④	IDC BODY	PC White	1	
③	IDC PIN	PHOSPHOR BRONZE & TINNED	8	
②	LABEL COLOR CODE	T568A/B	2	
①	IDC TERMINAL	FOR 22-26AWG CABLE	1	
NO.	PARTS NAME	SPECIFICATION STANDARD	QT' Y	REMARK

		NEW	2023-03-30	A
BY	CHK	REVISION RECORD MODIFICATIONS	DATE	REV.

SYNERGY21					
CUSTOMER	AN		ITEM NO.	S216318V3	
PRODUCT NAME	CAT. 6A/ClasseA STP KEYSTONE JACK W:16.3MM		manufacture country:	CHINA	UNIT MM
DRAWNBY	CHECKBY	APPOBY	DATE		
SYNERGY21	SYNERGY21	SYNERGY21	2023-03-30		