

| Type C                | Core color  | Type C                |
|-----------------------|-------------|-----------------------|
| A1, B1, A12, B12      | Ground      | A1, B1, A12, B12      |
| A4, B4, A9, B9 (VBUS) | Red         | A4, B4, A9, B9 (VBUS) |
| A5 (CC)               | Yellow      | A5 (CC)               |
| B5 (Vconn)            | Orange      | B5 (Vconn)            |
| A6 (UTP D+)           | Green       | A6 (UTP D+)           |
| A7 (UTP D-)           | White       | A7 (UTP D-)           |
| A2 (SSTx1)            | Coax Yellow | B11 (SSRx1)           |
| A3 (SSTx1)            | Coax Purple | B10 (SSRx1)           |
| B11 (SSRx1)           | Coax Brown  | A2 (SSTx1)            |
| B10 (SSRx1)           | Coax Orange | A3 (SSTx1)            |
| B2 (SSTx2)            | Coax Black  | A11 (SSRx2)           |
| B3 (SSTx2)            | Coax Blue   | A10 (SSRx2)           |
| A11 (SSRx2)           | Coax White  | B2 (SSTx2)            |
| A10 (SSRx2)           | Coax Green  | B3 (SSTx2)            |
| A8 (SBU1)             | Orange      | BB (SBU2)             |
| BB (SBU2)             | Purple      | A8 (SBU1)             |
| Shield                | Braiding    | Shield                |

The USB4 cable transfer all important transmission protocols for computing and multimedia area.

It supports i.a.:

- PCI Express
- USB4™ 40Gbps
- Thunderbolt™ 3 (partial)
- Displayport 1.4a up to 8K
- SuperSpeed USB up to 20 Gbps
- PowerDelivery

Connect your notebook to your docking station with just one cable and you get access to all important interfaces, devices with high energy requirements can also be charged simultaneously with up to 100 watts (depending on the hardware used)

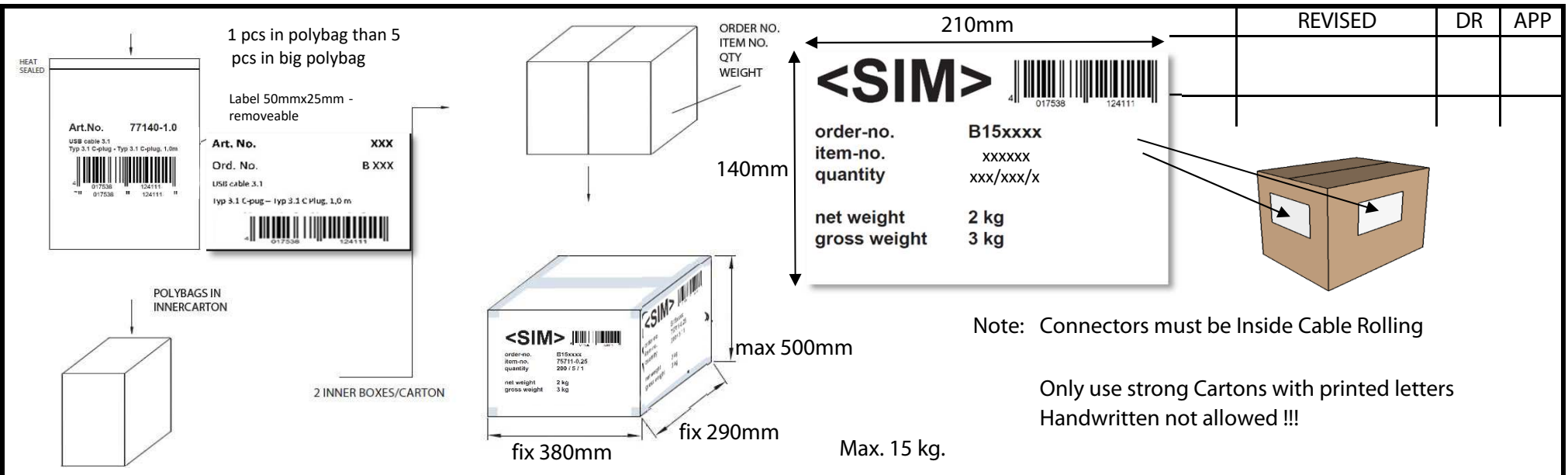
Info: not all devices with USB Type-C® interface support the 100 watts fast charging capability (PD 3.0), the transmission of video signals (DP-Alternate Mode) or data transfer of 40 Gbps (USB4™ 40Gbps / Thunderbolt™ 3), please contact your device manufacturer for more informations.

- Connections: USB-C plug to USB-C plug
- Supports: DP-Alternate Mode Displayport 1.4a (bis zu 8K | 6K | 5K/60Hz, 4K/120Hz, 2x 4K/60Hz), PD bis zu 100W (20V/5A), SuperSpeed USB 5 | 10 | 20Gbps, PCI Express 3.0, Bidirectional data transfer
- Bandwidth up to: 40 Gbps
- Compatible to all USB-C interfaces (i.a.): Hi-speed USB, SuperSpeed USB, Thunderbolt™ 3
- Number of shields: 3
- Shielding 1: ALU braid (100% density)
- Shielding 2: ALU foil laminated (100% density)
- Shielding 3: ALU braid (100% density)
- Wire material: tinned copper
- Wire structure: coaxial
- Plug: moulded with metal shielding
- Contact surface: pins gold plated
- Plug housing: TPE
- Cable type: round cable
- Material cable sheath: TPE

|    |            |  |
|----|------------|--|
| 1  | CONNECTORS | USB ( C ) CONNECTING CABLE, 4.0 GEN 3X2, BLACK   |
| 2  | MOLDING    |  |
| 3  | CABLE      |  |
| NO | PART NAME  | PICTURES AND COLORS CAN DIFFER FROM THE PRODUCT! |

|                                |    |  |            |          |  |     |          |
|--------------------------------|----|--|------------|----------|--|-----|----------|
| DESCRIPTION                    |    | USB ( C ) CONNECTING CABLE, 4.0 GEN 3X2, BLACK |            |          |  |     |          |
| SIZE                           | A4 | DATE   | 29.06.2021 | CHECKED  |  | TOL | 13-65005 |
| UNIT                           | MM | DRAWN  | R.Hueller  | APPROVED |  |     |          |
| CUSTOM TARIF NO.: 854442909000 |    |  |            |          |  |     |          |





| ART.NO.  | LENGTH | ROLLING SIZE | NET.WEIGHT (g) | PACKING                                  | EAN CODE      |
|----------|--------|--------------|----------------|--|---------------|
| 13-65005 | 0.25m  | 140x140x10mm | 19g            | 200 EXP / 100 INNER - 5/1 in pb with st. | 4017538134370 |
| 13-65015 | 0.5m   | 140x140x12mm | 29g            | 200 EXP / 100 INNER - 5/1 in pb with st. | 4017538134387 |
| 13-65025 | 1.0m   | 140x140x14mm | 49g            | 200 EXP / 100 INNER - 5/1 in pb with st. | 4017538134394 |
| 13-65155 | 1.5m   | 140x140x15mm | 69g            | 150 EXP / 75 INNER - 5/1 in pb with st.  | 4017538134400 |
|          |        |              |                |  |               |
|          |        |              |                |  |               |
|          |        |              |                |  |               |
|          |        |              |                |  |               |
|          |        |              |                |  |               |
|          |        |              |                |  |               |
|          |        |              |                |  |               |
|          |        |              |                |  |               |
|          |        |              |                |  |               |
|          |        |              |                |  |               |
|          |        |              |                |  |               |
|          |        |              |                |  |               |

|                                |    |  |            |          |  |                 |
|--------------------------------|----|--|------------|----------|--|-----------------|
| DESCRIPTION                    |    | USB ( C ) CONNECTING CABLE, 4.0 GEN 3X2, BLACK |            |          |  |                 |
| SIZE                           | A4 | DATE   | 29.06.2021 | CHECKED  |  | TOL             |
| UNIT                           | MM | DRAWN  | R.Hueller  | APPROVED |  |                 |
| CUSTOM TARIF NO.: 854442909000 |    |  |            |          |  |                 |
|                                |    |  |            |          |  | <b>13-65005</b> |