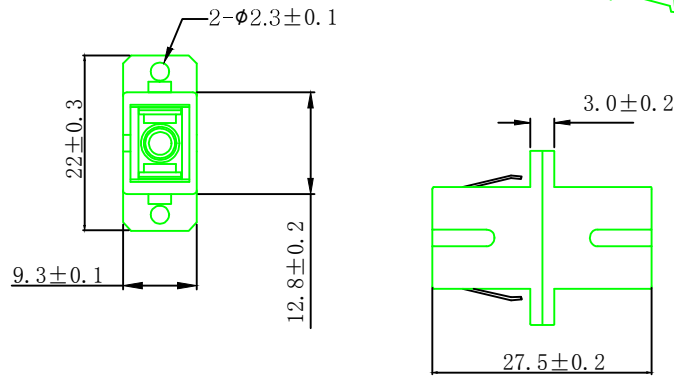


NOTE:  
 1. RoHS 2.0 and REACH Compliant  
 2. Packing: 1pc/PE Bag+test report+Label

Insertion Loss (dB)	≤0.20
Operating Temperature( ° C)	-40 ~ +85
Storage Temperature(° C)	-40 ~ +85



MATERIAL LIST:

⑤	SC Sleeve <b>Ceramic</b> (Single-mode)	1	
④	SC Green Bush	2	
③	SC Simplex Green Plastic body with flange	2	
②	Metal Mount	1	
①	SC Black Dust Cap	2	

NO	Part Name	QT' Y	REMARK
	NEW	2019-04-22	A
BY	CHK	REVISION RECORD MODIFICATIONS	DATE

SYNERGY 21					
CUSTOMER		ITEM NO.	S215593		
PRODUCT NAME	SC/APC Green (ceramic) Simplex plastic Adapter with flange	manufacture country	CHINA	UNIT	mm
DRAWNBY	CHECKBY	APPOBY	DATE		
SYNERGY 21	SYNERGY 21	SYNERGY 21	2019-04-22		

