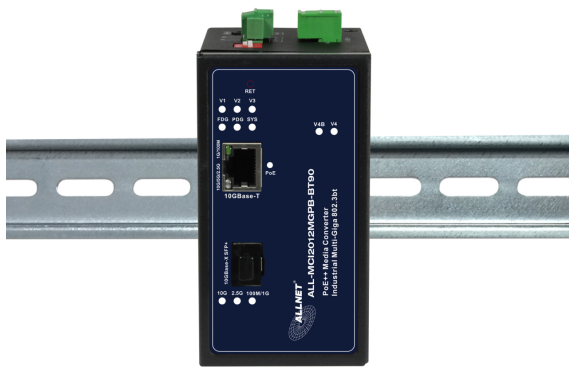


ALLNET Media Converter Industrial PoE (15,4W/30W/60W/90W) 1000BASE-SX/-LX Single-/ Multimode SFP to RJ45 Cooper MultiG • Power-Booster 12~57VDC • DIN • ALL-MCI2011P-60W

>>> Go to the shop article



EAN CODE



Highlight:

- Physical Port:1x100M/1G/2.5G/5G/10GBase-T PoE PSE RJ45 Port+ 1x100M/1G/2.5G/10GBase-X SFP+ Slot
- Compliant with IEEE802.3u,IEEE802.3ab,IEEE802.3bz,IEEE802.3an,IEEE802.3ae,IEEE802.3x,IEEE802.3af/at/bt standard
- The PoE port complies with **IEEE 802.3af/at/bt PoE/PoE+/PoE++ PSE standard**, supports PoE power up to **90 watts**
- The PoE port supports auto detect and supply power for the IEEE 802.3af/at/bt PoE/PoE+/PoE++ compliant PD device,which can protect devices from being damaged by incorrect installation
- Remote power feeding up to 100m
- Support store-and-forward forwarding mode,all ports support exchange at wire speed
- Hardware-based 100M/1G/2.5G/5G/10Gbps auto-negotiation and auto MDI/MDI-X to obtain the fastest possible connection
- **The built-in solid DIP switch provides "Fiber Watchdog", "PoE Watchdog" and "802.3af/at/bt&802.3af/at PoE Ouput" operation modes**
 - **Fiber Watchdog mode:**The PoE media converter can monitor the fiber connection status,and if there is no data transmitted,the corresponding fiber port will restart automatically
 - **PoE Watchdog mode:**The PoE media converter can automatic detect and reboot the unresponsive PD devices without manual operation
 - **802.3af/at/bt&802.3af/at PoE Ouput mode:** The PoE media converter provides 802.3af/at,Max 30W PoE power output and 802.3af/at/bt,Max 90W PoE power output two types of PoE output mode to meet the demand of various powered devices consuming stable PoE power and can effectively solve the compatibility issue of PoE media converter with some 802.3af/at compliant PD devices



- **Support Multi-G-Speed 100Mbps half/full duplex and 1/2.5/5/10Gbps full duplex mode**
- Supports IEEE802.3x flow control in full-duplex mode and back pressure in half-duplex mode to prevents packet loss
- Support 12K jumbo frame size
- Supports MAC address auto learning and auto aging
- LED indicators display the working status,supporting simple trouble shooting
- Plug and play,no configuration required
- IP30 rugged high-strength metal case
- Solid DIN-rail or wall-mount design for flexible and easier Installation in any space-limited location
- **internal Power-Booster, Redundant single 12-57VDC power input + tripple 48-57VDC power input** with reverse polarity protection for high availability network system
- Industrial grade design for all components,support 6KV Surge and 8KV ESD protection
- **-40 to +80°C wide operating temperature**
- Free fall,shock-proof and vibration-proof for industries
- Fanless design with excellent heat dissipation, natural cooling

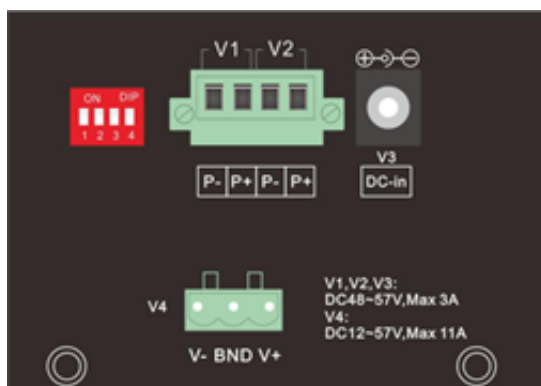
ALLNET ALL-MCI2012MGPB-BT90 is a **robust Industrial-grade 10G Multi-Gigabit 802.3bt PoE++ Media Converter** providing non-blocking wire-speed performance and great flexibility for 10 Gigabit PoE++ Ethernet extension in harsh industrial environment.It is equipped with one 100M/1G/2.5G/5G/10GBase-T PoE PSE port and one 10GBase-X SFP+ fiber port.The PoE port support **IEEE802.3af/at/bt** PoE/PoE+/PoE++ PSE standard,which can supply up to **90W power**.It can automatically detect and supply power for the IEEE802.3af/at/bt compliant PD,like IP camera, IP phone,wireless AP,etc. For the connected PD devices which does not support IEEE 802.3af/at/bt,it will auto stop supplying power. With Industrial grade design for all components,it can operate stably under the temperature ranging from -40°C to +80°C and provides a high level of immunity against electromagnetic interference and heavy electrical surges: 6KV Surge protection and 8KV ESD protection,which can improve product stability and protects users' networks from devastating ESD attacks,making sure the flow of operation does not fluctuate.The ALL-MCI2012MGPB-BT90 also allows either DIN-rail or wall mounting for flexible and easier Installation in any space-limited location. Besides, the ALL-MCI2012MGPB-BT90 features a strong wide-ranging with **internal Power-Booster 12-57VDC power supply** input and tripple-redundant, reversible polarity 48-57VDC power supply inputs for high availability applications that require dual or backup power inputs. It is ideal for wide applications from copper to fiber media conversion wherever 10Gigabit bandwidth is required in climatically demanding environments with wide temperature ranging from -40 to 80 °C.

LED Indicators:

Indicator	Status	Indication
SYS	Blink	Device runs normally
	Off	Device runs abnormally
V1/V2/V3/V4	On	Power is connected via V1/V2/V3/V4 power input connector
	Off	Power is disconnected or failed
V4B	On	PoE voltage boost is normal
	Off	PoE voltage boost is abnormal
FDG	On	Fiber Watchdog mode Enable
	Off	Fiber Watchdog mode Disable

PDG	On	PoE Watchdog mode Enable
	Off	PoE Watchdog mode Disable
PoE	On	PoE is active and supplying power normally
	Off	PoE is inactive
10G/5G/2.5G	On	PoE port network runs at 10G / 5G / 2.5Gbps
	Blink	PoE port is actively sending or receiving data
1G/100M	On	PoE port network runs at 1G/100Mbps
	Blink	PoE port is actively sending or receiving data
10G	On	Fiber port optical link runs at 10Gbps
	Blink	Fiber port is actively sending or receiving data
2.5G	On	Fiber port optical link runs at 2.5Gbps
	Blink	Fiber port is actively sending or receiving data
100M/1G	On	Fiber port optical link runs at 100M/1Gbps
	Blink	Fiber port is actively sending or receiving data

DIP Switch Settings:



DIPSwitch	Status	Indication
1	ON	Fiber Watchdog mode Enable, the PoE Media Converter can monitor



		the fiber connection status, and if there is no data transmitted, the corresponding fiber port will restart automatically
	OFF	Fiber Watchdog mode Disable
2	ON	PoE Watchdog mode Enable,the PoE Media Converter can automatic detect and reboot the unresponsive PD devices without manual operation
	OFF	PoE Watchdog mode Disable
3	ON	802.3af/at/btPoE/PoE+/PoE++ output mode ,support max 90W PoE power output
	OFF	802.3af/atPoE/PoE+output mode, support max30W PoE power output
4	ON/OFF	Reserved

Note:When the PoE Media Converter is in 802.3af/at/bt PoE/PoE+/PoE++ output mode(with DIP Switch 3 at ON status),but it can not detect and supply power to some 802.3af/at compliant PD devices, in this case, you need to set the PoE Media Converter in 802.3af/at PoE/PoE+ output mode (with DIP Switch 3 at OFF status) to detect and supply power to such 802.3af/at compliant PD devices,it can effectively solve the compatibility issue of PoE Media Converter with some 802.3af/at compliant PD devices

Technical Details:

Fixed Port	1x100M/1G/2.5G/5G/10GBase-TPoEPSErJ45Port+1x 100M/1G/2.5G/10GBase-XSFP+Slot
Standard Compliance	IEEE802.3u:100Base-TX/FX Fast Ethernet IEEE802.3ab:1000Base-T Gigabit Ethernet IEEE 802.3z:1000Base-SX/LX Gigabit Ethernet IEEE 802.3bz:2.5GBase-T/5GBase-T Ethernet IEEE 802.3bz 2.5GBase-X IEEE 802.3an:10GBase-T IEEE 802.3ae:10GBase-X IEEE802.3x flow control and back pressure IEEE802.3af Power over Ethernet IEEE 802.3at Power over Ethernet Plus IEEE 802.3bt Type 4 Power over Ethernet Plus Plus
Switch Properties	Switching Capacity:40Gbps MAC Address Table: 8K



	<p>Packet Buffer Size: 8.1M</p> <p>Packet Forwarding Rate:29.76Mpps@64bytes Jumbo Frame:12K</p> <p>Flow Control:IEEE802.3x flow control in full-duplex mode and back pressure in half-duplex mode</p> <p>Switching mode: Store and Forward (fullwirespeed)</p>
Network Medium	<p>10Base-T: Cat3,4,5 UTP(?100 meters) 100Base-T: Cat5 UTP or better(?100 meters)</p> <p>1000Base-T: Cat5e,6 UTP or better(?100 meters) 2.5GBase-T: Cat5e,6,6A,7 UTP or better(?100 meters) 5GBase-T:Cat6,6A,7 UTP or better(?100meters) 10GBase-T: Cat6A,7 UTP or better(?80 meters)</p> <p>10GBase-X: up to 300m (OM3 MMF), up to 120km (9/125?m SMF)</p>
Fiber Port	1x100M/1G/2.5G/10GBase-XSFP+ Slot
PoE Description	<p>PoE Port:1x100M/1G/2.5G/5G/10GBase-TRJ45</p> <p>PoE Standard: IEEE802.3af/at/bt PoE/PoE+/PoE++ PSE Power Pin Assignment:1/2/4/5+,3/6/7/8-(4 Pairs)</p> <p>PoE Power Output: Max90W</p>
Power Requirements	<p>Input Voltage:V4:12~57VDC,Max 11A,Booster efficiency:89%-96% V1,V2,V3:48~57VDC,Max3A</p> <p>Connector: Removable Terminal Block(V1,V2,V4) +2.5/5.5mm DC Socket(V3) Protection: Overload protection / Reverse polarity protection / Redundancy protection</p> <p>Standby Power Consumption: Max 8W</p>
LED Indicator	<p>SYS: System status LED V1,V2,V3,V4:V1-V4 Power supply LED V4B: PoE voltage boost status LED (ON: PoE voltage boost is normal) FDG: Fiber Watchdog status LED PDG: PoE Watchdog status LED 10G/5G/2.5G:PoE Port 10G/5G/2.5G Ethernet Link LED LED 1G/100M:PoE Port 1G/100M Ethernet Link LED PoE: PoE Port PoE-in-Use LED 10G:Fiber Port 10G Optical Link LED 2.5G:Fiber Port 2.5G Optical Link LED 100M/1G:Fiber Port 100M/1G Optical Link LED</p>



Part No.: 234367

Vendor Part No.: ALL-MCI2012MGPB-BT90

Mechanical	Case: High-strength Metal IP Rating: IP30 protection Cooling way: Fanless design,natural cooling Dimension: 105x90x57mm (LxWxH) N.W/G.W: 0.55Kg/0.7Kg Installation: DIN-Rai/Wall Mounted
Environmental	Working Temperature: -40°C~+80°C Storage Temperature: -40°C~+85°C Working Humidity: 5%~90% (non-condensing) Storage Humidity: 5%~95% (non-condensing)
Industry Standard	EMI:FCC Part 15 Subpart B Class A,EN 55024 EMS: IEC61000-4-2 (ESD):±8kV Contact discharge,±15kV Air discharge IEC61000-4-3(RS):10V/m(80~1000MHz) IEC61000-4-4 (EFT): Power Port:±4kV; Data Port:±2kV IEC61000-4-5 (Surge):Power Port: common mode±4kV / differential mode ±2kV; Data Port: common mode ±6kV / differential mode ±4kV IEC61000-4-6 (Radio frequency conduction): 3V (10kHz-150kHz); 10V (150kHz-80MHz) IEC61000-4-8 (Power frequency magnetic field): 100A/m; 1000A/m, 1s to 3s IEC61000-4-9 (Pulsed magnet field): 1000A/m IEC61000-4-10 (Damped oscillation): 30A/m 1MHz IEC61000-4-12/18 (Shockwave): CM 2.5kV,DM 1kV IEC61000-4-16 (Common mode conduction): 30V (cont.), 300V (1s) Shock: IEC 60068-2-27 Free fall: IEC 60068-2-32 Vibration: IEC 60068-2-6
MTBF	100,000 hours

Attributes

Attribute	Value
Features:	Industrial DIN-Hutschiene;Integrierter Powerbooster;Fiber Watchdog;PoE Watchdog;Multi-G RJ45 Port;
Fibre Anschluß:	SFP+
Geschwindigkeit:	100M (100Mbit); 1G (1000Mbit); 2.5G (2500Mbit); 5G (5000Mbit); 10G (10000Mbit);
Medien-Seite A:	SFP+
Medien-Seite B:	TP_RJ45
Weight:	2 Kg



Part No.: 234367
Vendor Part No.: ALL-MCI2012MGPB-BT90

Attribute	Value
Warranty:	24.00 Months

Accessories

Part No.	Name
140522	Mean Well power supply - 48V 120W DIN rail, narrow
154972	Mean Well power supply - 24V 120W DIN rail
99305	ALLNET / ALL95100 TP Cat 6 / PoE Surge arrester
198028	ALLNET TP Cat 6 Überspannungs-/Blitzschutz Surge Protector A
234201	ALLNET TP Cat 6 overvoltage/lightning protection for ALL95100 top-hat rail mounting bracket

[Click here to discover more items from this category in our shop.](#)