

2-Port 4K HDMI USB-C KVM Dock Switch with Power Pass-Through

US3310

The US3310 is a 2-Port 4K HDMI USB-C KVM Dock Switch with Power Pass-through that features the combination of a multiport dock, and allows one button switching between laptops and Android smart phones. With one set of display, keyboard, and mouse, users get to seamlessly control two different systems and save desk space. Thanks to the remote port selector, users are allowed to put US3310 at the most convenient location or hide it under the desk to do the quick switch.

Featuring superior HDMI video resolutions up to 4K (3840 x 2160) @ 30 Hz, the US3310 delivers high quality video with minimal latency when switching between two different sources, and meanwhile, the HDMI connection remains without destroying the layout. In addition, the USB 3.2 Gen1 compliance provides data transfer speed up to 5 Gb/s, enabling two systems to share and swap data from the external storage devices conveniently.

The 85 W USB-C Power Delivery 3.0 pass-through can charge the phone and laptop simultaneously while providing enough power for power-hungry devices, such as external hard drives or gaming devices. Users can connect their smart phone with US3310 to build a workstation in Samsung DeX mode or Huawei Desktop mode for multitask, and switch to laptop whenever they have heavy loading tasks to do.

With the US3310, users can save desk space to switch host devices directly, and creates a personalized desktop environment.

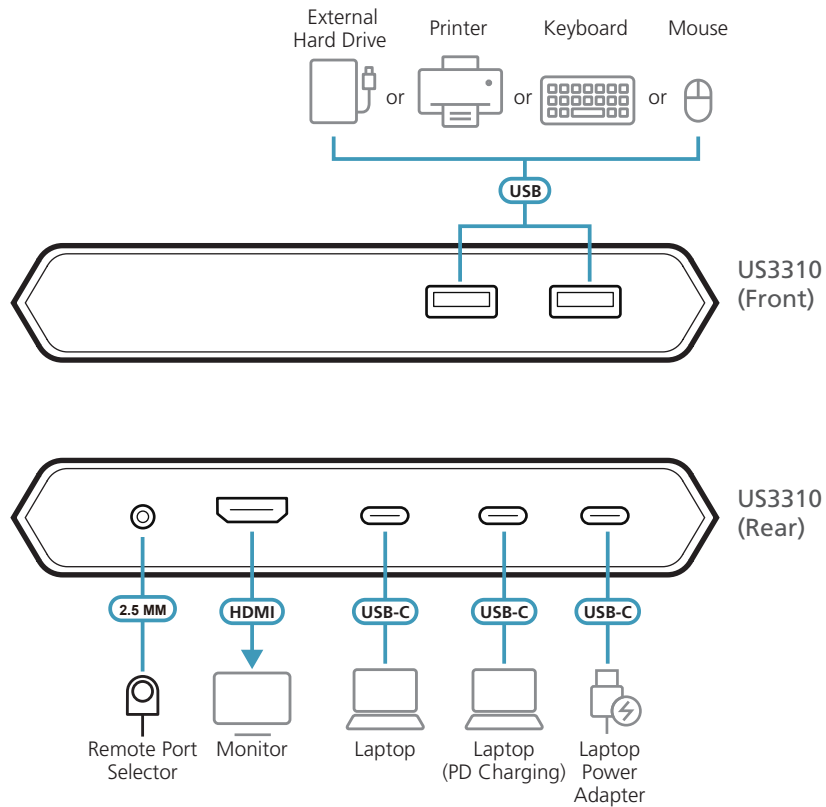


Front View



Rear View





Features

- Allows a USB-C laptop and an Android Smartphone to share one HDMI monitor and all connected USB peripherals
- Provides USB Power Delivery 3.0 for laptop charging up to 85 W (additional USB-C Power Adapter needed)
- Supports 4K resolutions – up to 3840 x 2160 @ 30 Hz
- Supports Samsung DeX mode or Huawei Desktop mode
- Video DynaSync – allows EDID and HDCP monitors and computers to function flawlessly and provides fast switching such as continuous real-time switching
- Switches devices via remote port selector by pressing a button
- Plug and play – no drivers needed
- Multiplatform support – Windows 10 or above, macOS X 10.12, Android 8.0 or later, and iPadOS 13 or later

Specifications

US3310	
Computer Connections	2
Connectors	
Computer	USB-C 3.2 Gen 1 Port 1 (Laptop) USB-C 3.2 Gen 1 Port 2 (Android : Samsung Dex or Huawei Desktop mode)
Device	2 x USB 3.2 Gen 1 Type-A Female
Video Output	1 x HDMI Female
Power	1 x USB-C DC-in Female* Port 1 : Supports USB-C PD laptop charging at 5V, 9V, 15V, 20V output* Port 2 : Supports max. 5V, 2A output *1. Supports maximum 100W USB-C PD power adapter input. 2. For device charging, a Limited Power Source (LPS) certified USB-C PD Power Adapter over 65 Watt is recommended. The minimum system power requirement for basic USB functions and video output should be at least 5V, 3A. 3. The first 15W will supply the US3310, the next 10W will supply USB-C device connected to Port 2, and the balance power will supply USB-C device connected to Port 1.
Port Selection	
Input	Remote Port Selector
Video Resolution	Up to 3840 x 2160 @ 30 Hz
System Requirements	<ul style="list-style-type: none"> Windows 10 and above, USB-C enabled computer with DP Alt Mode* * With Intel 7th-Generation Core Processor (Kaby-Lake) and above. More info about CPU generation, please find: https://www.intel.com/content/www/us/en/processors/processor-numbers.html macOS X 10.12 and above, USB-C enabled computer Android 8.0 and later, USB-C enabled Smartphone with DP Alt Mode** **Only Samsung and Huawei support PC-like operation, others only support mirror mode. For a list of supporting mobile device, refer to US3310's user manual. iOS 12.1 and above, iPad Pro 3rd generation (2018)*** *** For better HID experience, iPadOS 13 and above is recommended.
Power Consumption	5V, 15W
LEDs	
Selected	2 (White)
Environmental	
Operating Temperature	0 - 40 °C
Storage Temperature	-20 - 60 °C
Humidity	0 - 80% RH, Non-condensing
Physical Properties	
Housing	Aluminum
Weight	0.33 kg
Dimensions (L x W x H)	14.30 x 11.90 x 2.38 cm

ATEN International Co., Ltd.

3F, No.125, Sec. 2, Datung Rd., Sijhih District., New Taipei City 221, Taiwan
 Phone: 886-2-8692-6789 Fax: 886-2-8692-6767
 www.aten.com E-mail: marketing@aten.com

Product information is subject to change without prior notice.

Released: 11/2022 V4.0

© Copyright 2022 ATEN® International Co. Ltd.
 ATEN and the ATEN logo are registered trademarks of ATEN International Co., Ltd.
 All rights reserved. All other trademarks are the property of their respective owners.
 The terms HDMI, HDMI High-Definition Multimedia Interface, and the HDMI Logo are trademarks or registered trademarks of HDMI Licensing Administrator, Inc.

