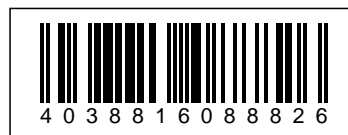


## Synergy 21 LED controller dual white (CCT) for LED panels 40W \*Milight/Miboxer\*



Discover the **40W Colour Temperature Panel Light Driver**, the perfect solution for your lighting needs. This powerful driver offers an **input voltage of AC180~240V** at a frequency of **50/60Hz** and efficiently converts this into an **output voltage of DC30-40V**.

With a constant **output current of 1A** and a maximum **output power of 40W**, the driver ensures that your panel lights are always operated reliably and with optimum performance. The **power factor (PF) of over 0.9** ensures high energy efficiency, which minimises your electricity costs.

The **40W Colour Temperature Panel Light Driver** is designed for **2 channels** and enables precise control of the colour temperature of your lights. With a **remote control range of up to 30 metres**, you have the flexibility to conveniently control your lighting from a distance.

For maximum safety and durability, the driver offers an **ambient temperature (ta) of up to 50°C** and a **use temperature (tc) of 85°C**. This driver is ideal for modern lighting systems that are both powerful and energy-efficient.

Product Name: 40W Colour Temperature Panel Light Driver

Model No.: PL2

Input Voltage: AC180~240V 50/60Hz

Output Voltage: DC30-40V

Output Current (Constant Current): 1A

Output Power (Max): 40W

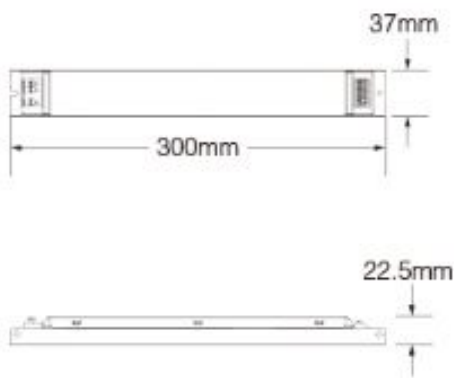
PF: >0.9

Controllable Channel: 2 Channels

Remote Control Distance: 30m

ta: 50°  
tc: 85°

## Additional Images



### 2.4GHz remote control Smartphone APP control

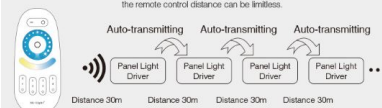
Wireless remote and smartphone control, realize the multi-functional setting  
(\*Need WiFi IBox or WiFi Remote for smartphone App control)

Compatible with



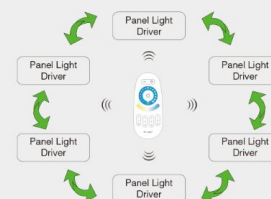
### Auto-transmitting function

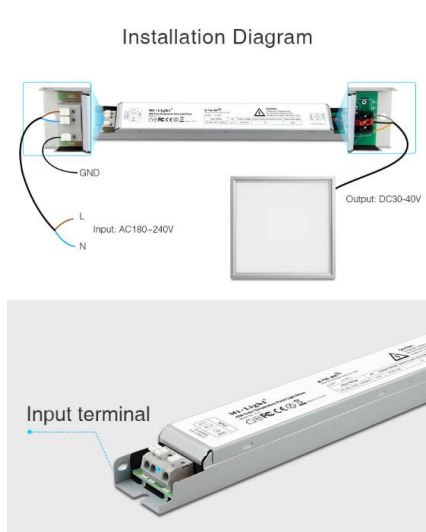
One panel light driver can transmit the signals from the remote control to another panel light driver within 30m, as long as there is a panel light driver within 30m, the remote control distance can be limitless.



### Auto-synchronization function

Different panel light driver can work synchronously when they are started at different times, controlled by the same remote, under same dynamic mode and with same speed, and within 30m distance.





## Accessories

Part No.	Name
153408	Synergy 21 LED controller DMX transmitter *Milight/Miboxer*
153409	Synergy 21 LED retrofit E27 9W RGB-WW lamp DMX *Milight/Miboxer*