

## ALLNET Media Converter Network & PoE over 2 Wire Set AT "ALL

>>> [Go to the shop article](#)



### EAN CODE



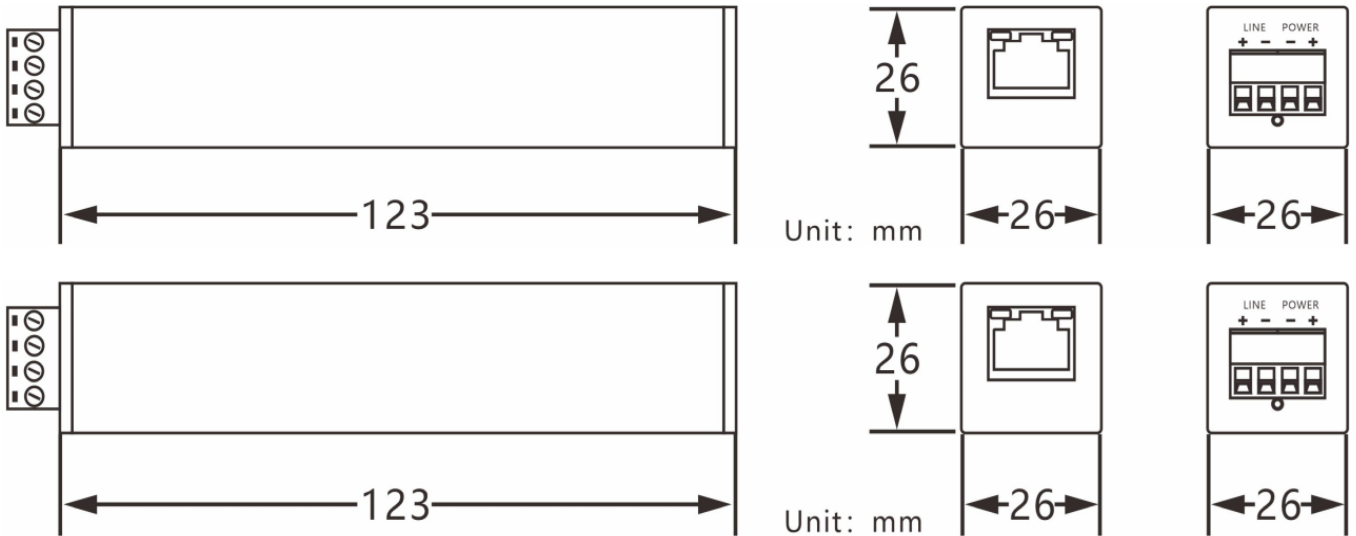
### Highlights:

- PoE and power via two-wire
- IEEE802.3af
- Data rate max. 200Mbps
- Maximum distance: 500m via two-wire
- **A 48VDC~57VDC power supply unit is required at the master, which is included in the scope of delivery, for optional power supply units see accessories.**

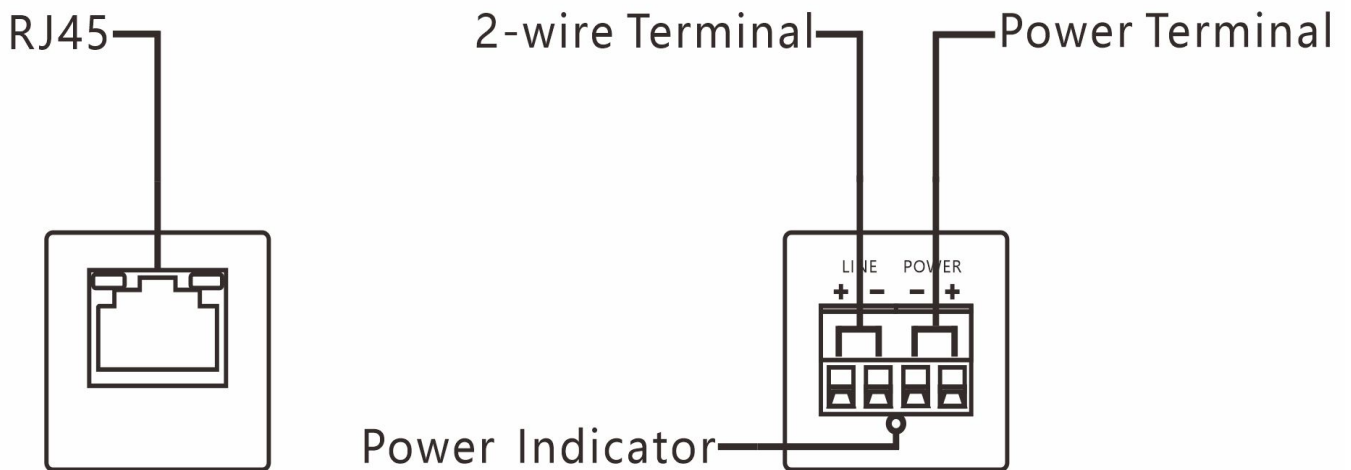
### Overview

The ALL-MC302P2WIRE set offers you the possibility to establish both data and PoE over a 2-wire connection. The max. Cable length can be max. 500m. The master has to be powered with a power supply and feeds both the slave adapter and the PoE end device at the slave with data and power. The set is suitable for upgrading analog systems through an existing cable infrastructure. The compact size of the media converter is perfect to replace old door station with a new IP door station.

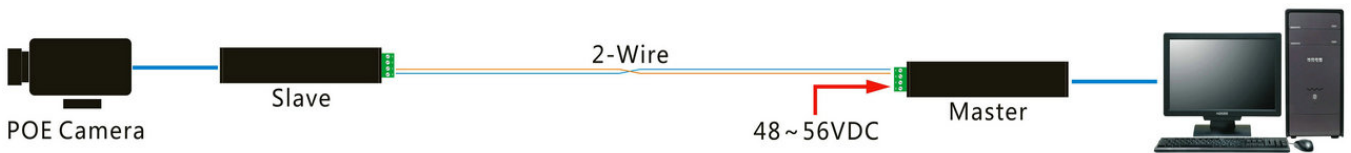
### Dimension:



**Interface Description**



**Diagram:**



**Power, Bandwidth & Distance Table**

|                            |                              |                 |
|----------------------------|------------------------------|-----------------|
| Receiver <- -> Transmitter | Cable 2x0.75 mm <sup>2</sup> |                 |
| Receiver power supply type | DC 48-56 (30 W)              | DC 48-56 (60 W) |



|                            |                  |                 |                 |
|----------------------------|------------------|-----------------|-----------------|
| Distance<br>100 M          | Bandwidth (Mbps) | 83              | 83              |
|                            | PoE (W)          | 27              | 27              |
| Distance<br>200 M          | Bandwidth (Mbps) | 82              | 82              |
|                            | PoE (W)          | 26.5            | 27              |
| Distance<br>300 M          | Bandwidth (Mbps) | 80              | 80              |
|                            | PoE (W)          | 26.3            | 27              |
| Distance<br>400 M          | Bandwidth (Mbps) | 78.2            | 78.2            |
|                            | PoE (W)          | 22.8            | 27              |
| Distance<br>500 M          | Bandwidth (Mbps) | 76              | 76              |
|                            | PoE (W)          | 18.2            | 26.5            |
| Receiver <- -> Transmitter |                  | Coaxial cable   |                 |
| Receiver power supply type |                  | DC 48-56 (30 W) | DC 48-56 (60 W) |
| Distance<br>100 M          | Bandwidth (Mbps) | 84.2            | 84.2            |
|                            | PoE (W)          | 26.6            | 27              |
| Distance<br>200 M          | Bandwidth (Mbps) | 83.4            | 83.4            |
|                            | PoE (W)          | 26.2            | 27              |
| Distance<br>300 M          | Bandwidth (Mbps) | 82              | 82              |
|                            | PoE (W)          | 26              | 27              |
| Distance<br>400 M          | Bandwidth (Mbps) | 80              | 80              |
|                            | PoE (W)          | 22.2            | 27              |
| Distance<br>500 M          | Bandwidth (Mbps) | 79              | 79              |
|                            | PoE (W)          | 17.8            | 26              |

**Note:**

The actual data speed and PoE performance can vary by the environmental conditions and the cable qualities.

**Technical Details:**

| Ethernet           |   |
|--------------------|---|
| Netzwerk Standards | IEEE 802.3 10BaseT<br>IEEE 802.3u 100BaseTX |



|                                |  |
|--------------------------------|--|
|                                | IEEE 802.3af Power over Ethernet PoE<br>IEEE 802.3at Power over Ethernet PoE<br>IEEE1901 PLC |
| <b>Up down Agreement</b>       | CSMA/CA  |
| <b>Transmission / Rate</b>     | 500Mbps Physical Bandwidth<br>88Mbps Transmission Speed                                      |
| <b>Cabling</b>                 | Cat5 or above  |
| <b>Maximum Distance</b>        | 100m   |
| <b>Connector</b>               | 1x RJ45  |
| <b>Twisted Pair</b>            |  |
| <b>Cabling</b>                 | Twisted pair   |
| <b>Connector</b>               | 2-pin terminal block   |
| <b>Distance</b>                | up to 500m@24AWG   |
| <b>Datarate Downlink</b>       | Up to 500Mbps  |
| <b>Datarate Uplink</b>         | Up to 500Mbps  |
| <b>Technology</b>              | Powerline Communication (PLC)  |
| <b>Electric and Mechanical</b> |  |
| <b>Input Power</b>             | 48-57VDC (Terminal Block)  |
| <b>Power Consumption</b>       | ?3.5W / PC   |
| <b>PoE Standard</b>            | IEEE802.3af  |
| <b>Output Power</b>            | Standard 48VDC; IEEE802.3af  |
| <b>Port</b>                    | RJ45   |
| <b>Dimmension (W x D x H)</b>  | 123mm x 26mm x 26mm  |
| <b>Weight</b>                  | 0,25kg   |
| <b>Casing</b>                  | Aluminium Case   |
| <b>Environmental</b>           |  |
| <b>Operating Temperature</b>   | -20°C to 60°C  |
| <b>Relative Humidity</b>       | <95% (Non-condensation)  |

## Accessories

| Part No. | Name  |
|----------|---|
| 134034   | ALLNET ALL-B100-24VDC / Power-Booster 24VDC to 48~55VDC 90W |
| 140523   | Mean Well power supply - 48V 75W DIN rail, narrow           |



Part No.: 195451  
Vendor Part No.: ALL-MC302P2WIRE-Set

| Part No. | Name  |
|----------|---|
| 140522   | Mean Well power supply - 48V 120W DIN rail, narrow  |
| 146994   | Mean Well Power Supply - 48V 480W DIN Rail  |
| 119067   | ALLNET Ersatznetzteil 55V/2A für z.B. ALL048900 oder andere PoE Endgeräte                         |
| 115128   | ALLNET / ALL95101 TP Cat 6 / ADSL / VDSL / ISDN Surge protec                                      |
| 208856   | ALLNET Medien Konverter Netzwerk & PoE over 2 Wire zbh. Grüne Netzteil-Ersatzstecker 2 Stück/2pcs |

[Click here to discover more items from this category in our shop.](#)