

NOTE:

1. Electrical test:

- (1). 100% open short & miss wire test;
- (2). Insulation resistance: DC 300V 10M ohm min;
- (3). Contactor resistance: 3 ohm max;
- (4). Dielectric strength: 150V AC/Sec, 1mA.
- (5). Displayport practical application Test Pass 5k*3k@60HZ

2. ROHS 2.0 AND REACH COMPLIANT

3. PRINT WORD: Displayport Cable E148000 兄 AWM STYLE 20276 30AWG 80°C 30V VW-1 V1.2 V1.3

4. DP1.3V version

5. Storage temperature: -20°C~+75°C

6. Operation temperature: -10°C~+60°C

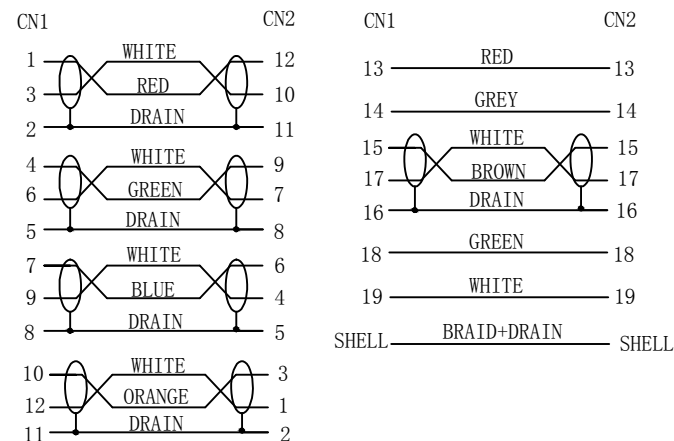
7. Display port Connector without DP logo

8. PACKING: 1pc/SYNERGY 21 Bag+lable

MATERIAL LIST:

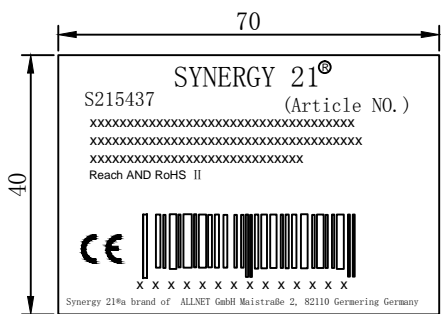
⑥	DUST CAP	LD-PE WHITE	2	
⑤	TUBE END	BLACK PVC 45P	2	
④	INNER COVER	LD PE	2	
③	HOUSING	ABS assembly Black	2	
②	CONNECTOR	DP 20P/M WITH LATCHING SOLDER TYPE, BLACK INSULATION, THE PIN GOLD PLATED, THE SHELL FOR GOLD PLATED	2	
①	CABEL	DP (30AWG BC*1P+E+AL+MYLAR)*5+30AWG BC*4C+AEB JACKET: PVC/BLACK OD: 6.0 ± 0.2mm	1	

PIN OUT

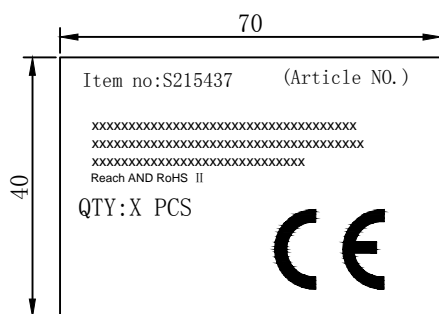


ITEM NO.	LENGTH	bag
S215437	500 ± 10MM	A
S215438	1000 ± 20MM	A
S215439	1500 ± 20MM	A
S215440	2000 ± 20MM	A
S215441	3000 ± 30MM	B

NO.	PARTS NAME	SPECIFICATION DESCRIPTION	QT' Y	REMARK	SYNERGY21					
		UPDATE PRINT WORD	2018-03-22	A2	CUSTOMER		ITEM NO.	SEE THE CHART		
		UPDATE PACKING TYPE	2018-03-20	A1	PRODUCT NAME	DP1.3V/1.4V Male-Male assembly w/interlock	manufacture country:	CHINA	UNIT	MM
			2018.01.03	A	DRAWNBY	CHECKBY	APPOBY	DATE		
BY	CHK	REVISION RECORD MODIFICATIONS	DATE	REV.	SYNERGY21	SYNERGY21	SYNERGY21	2018-03-22		



Label 1



label 2

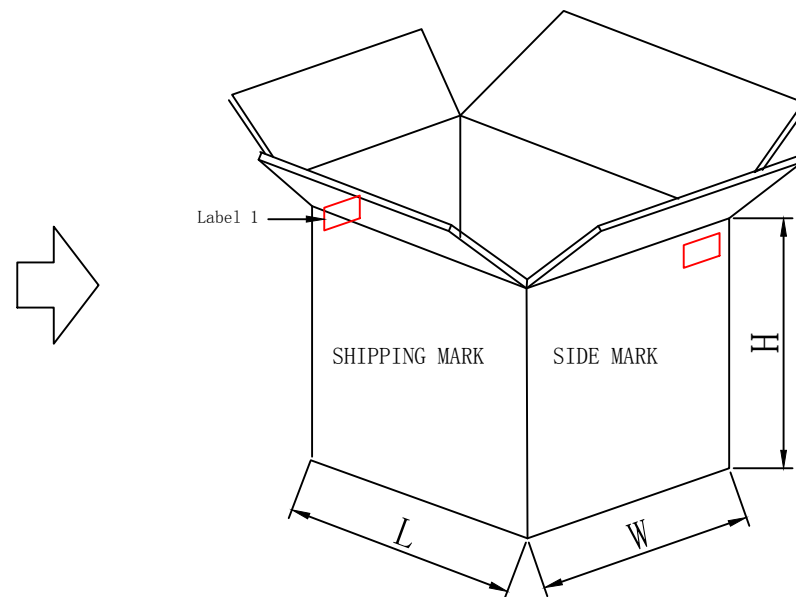
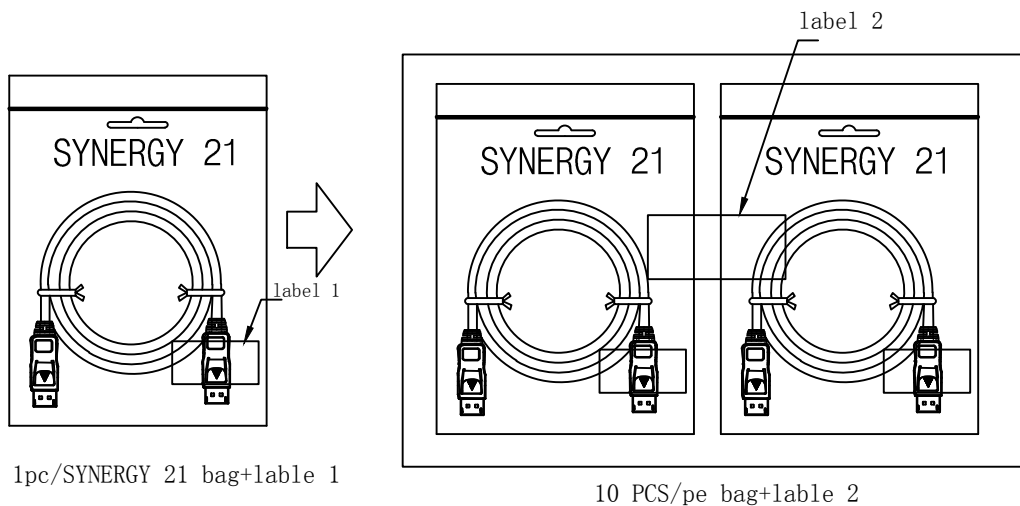
SHIPPING MARK



PO NO. :
REACH and ROHS 2.0 Compliant
MADE IN CHINA

SIDE MARK

PO NO. :
Item no:
Q' TY:
N. W
G. W
Carton no.
MEAS.



- 1.Packing:1PC/SYNERGY 21 Bag A/B Bag+Label1, 10PCS/PE bag+Label 2, inner carton+outer carton+Label 1
2. “工” type sealing
3. “井” type packaging

SYNERGY21									
		UPDATE PRINT WORD	2018-03-22	A2	CUSTOMER		ITEM NO.	See The Chart	
		UPDATE PACKING TYPE	2018-03-20	A1	PRODUCT NAME	Packing	manufacture country:	CHINA	UNTT MM
		NEW			DRAWNBY	CHECKBY	APPOBY	DATE	
BY	CHK	REVISION RECORD MODIFICATIONS	DATE	REV.	SYNERGY21	SYNERGY21	SYNERGY21	2018-03-22	