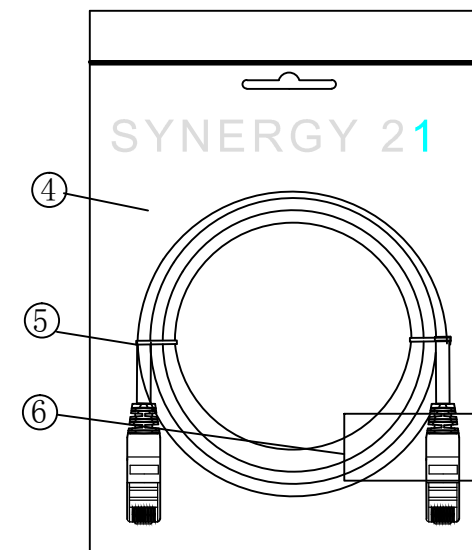






CHART

| COLOR:GREY (PANTONE 420C ) |           |                  |
|----------------------------|-----------|------------------|
| ITEM NO.                   | LENGTH    | PACKING          |
| S215100                    | 250±30    | SYNERGY 21 BAG A |
| S215107                    | 500±30    | SYNERGY 21 BAG A |
| S215114                    | 1000±30   | SYNERGY 21 BAG A |
| S215120                    | 1500±50   | SYNERGY 21 BAG A |
| S215127                    | 2000±50   | SYNERGY 21 BAG A |
| S215134                    | 3000±70   | SYNERGY 21 BAG A |
| S215141                    | 5000±70   | SYNERGY 21 BAG B |
| S215148                    | 7500±150  | SYNERGY 21 BAG B |
| S215155                    | 10000±200 | SYNERGY 21 BAG B |
| S215162                    | 15000±200 | SYNERGY 21 BAG C |
| S215169                    | 20000±300 | SYNERGY 21 BAG C |
| S215175                    | 25000±300 | SYNERGY 21 BAG C |
| S215181                    | 30000±300 | SYNERGY 21 BAG D |
| S215198                    | 40000±400 | SYNERGY 21 BAG D |
| S215199                    | 50000±400 | SYNERGY 21 BAG D |



|    |     |                               |            |      |              |                            |                      |               |      |    |
|----|-----|-------------------------------|------------|------|--------------|----------------------------|----------------------|---------------|------|----|
|    |     |                               |            |      | SYNERGY 21   |                            |                      |               |      |    |
|    |     |                               |            |      | CUSTOMER NO. |                            | ITEM NO.             | SEE THE CHART |      |    |
|    |     |                               |            |      | PRODUCT NAME | CAT. 5e/Class D SF/UTP PVC | manufacture country: | CHINA         | UNIT | MM |
|    |     | NEW                           | 2009-04-21 | A    | DRAWNBY      | CHECKBY                    | APPOBY               | DATE          |      |    |
| BY | CHK | REVISION RECORD MODIFICATIONS | DATE       | REV. | SYNERGY 21   | SYNERGY 21                 | SYNERGY 21           | 2012-08-06    |      |    |