

NOTE:  
RoHS 3.0 And Reach Compliant  
1.0mm thickness Metallic Panel with plastic powder cladding

Accessory:  
Screw and Nut M6\*16mm \* 4 set  
Dust cap SC SX type \* 24 pcs  
Cable connector PG13.5\*4pcs

SinglePack: 1pc/box+label; SubPack:  
no; Carton +labelx2;

MATERIAL LIST:

⑤	Spool	ABS Plastic Material	2	
④	Inner Panel	1.0mm thickness Metallic Panel with plastic powder cladding	1	
③	Mounting	1.5mm thickness Metallic Panel with plastic powder cladding	2	
②	Upper Panel Cover	1.0mm thickness Metallic Panel with plastic powder cladding	1	
①	Outer Panel	1.0mm thickness Metallic Panel with plastic powder cladding	1	
NO.	PARTS NAME	SPECIFICATION DESCRIPTION	QT'Y	REMARK

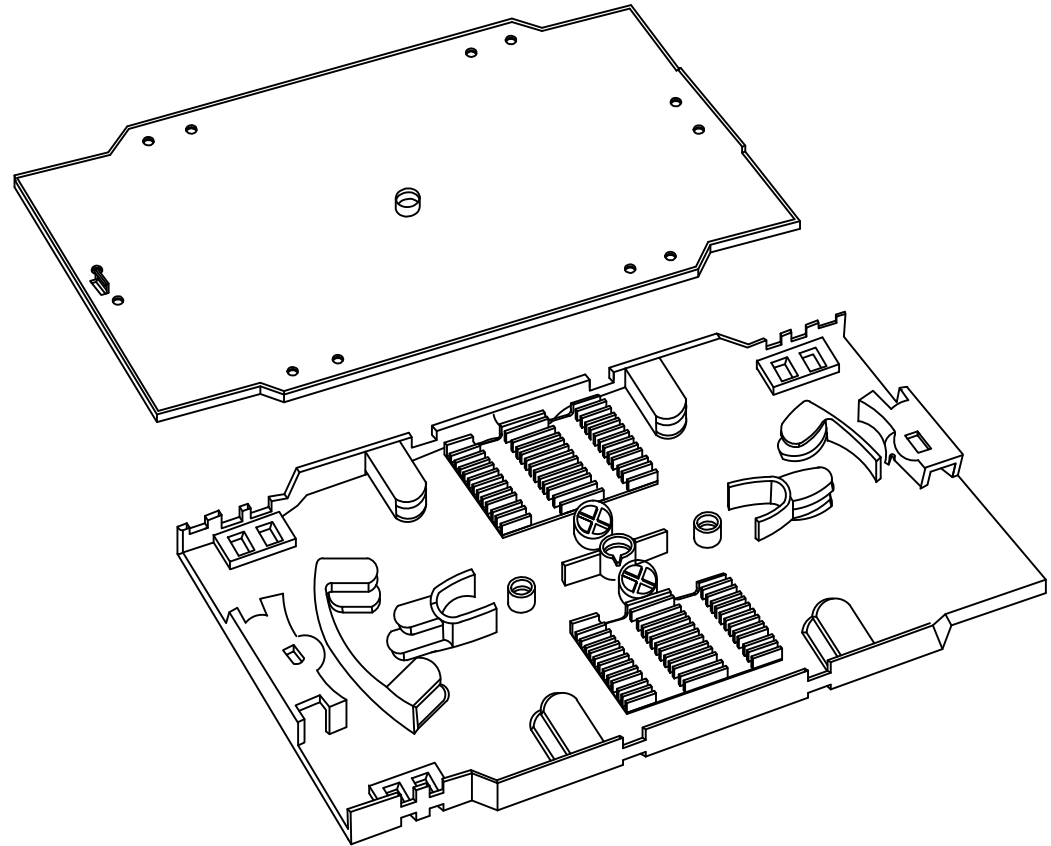
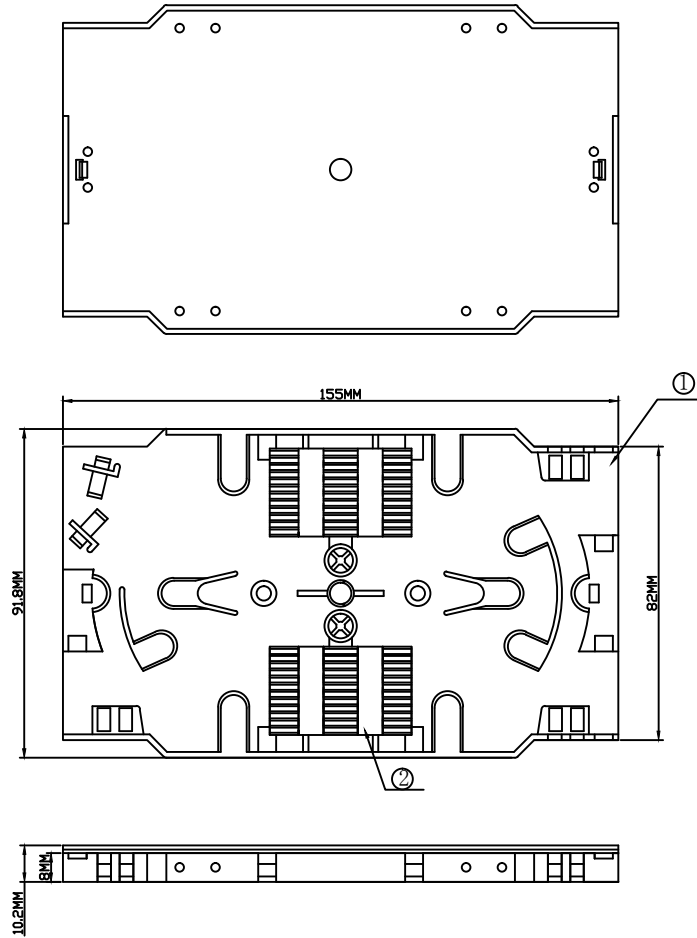
ITEM NO.	Colour
S216299V3	Black RAL9005
S216298V3	Gray RAL7035

SYNERGY21

CUSTOMER		ITEM NO.		SEE THE CHART	
PRODUCT NAME		manufacture country:		CHINA	UNIT MM
NEW		2022-03-10	V0	DRAWNBY	CHECKBY
BY	CHK	REVISION RECORD MODIFICATIONS	DATE	REV.	DATE

19" Fiber Optic Patch Panel, 1U sliding type 24port SC Simplex		SYNERGY21		SYNERGY21	
SYNERGY21		SYNERGY21		SYNERGY21	
SYNERGY21		SYNERGY21		2022-03-10	





- with 2\* 12 core splicing Holder ,black
  - Material:Plastic (Non fire retardant)
  - Color: beige
  - RoHS 2.0 and Reach Compliant
- Packing:1pcs/PE bag+label 1, 100pcs/innet carton+outer carton+label 3

MATERIAL LIST:

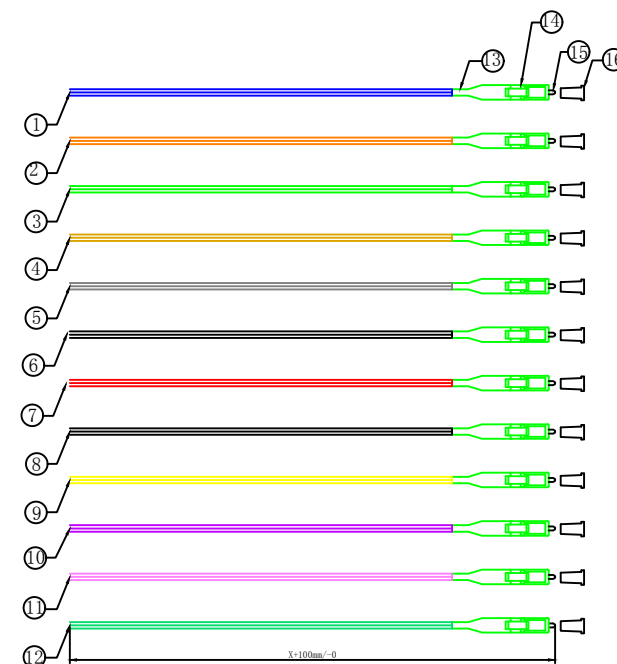
②	Splic Holder	ABS/Black	2		<b>SYNERGY 21</b>					
①	Splicing tray	24 cores splicing tray, ABS/Beige	1							
NO.	PARTS NAME	SPECIFICATION DESCRIPTION	QT' Y	REMARK	CUSTOMER	ITEM NO.	S215474			
					PRODUCT NAME	Splicing tray with 2pcs of 12core holders	manufacture country	CHINA	UNIT	MM
		NEW	2017. 04. 27	A	DRAWNBY	CHECKBY	APPOBY	DATE		
BY	CHK	REVISION RECORD MODIFICATIONS	DATE	REV.	SYNERGY 21	SYNERGY 21	SYNERGY 21	2017. 04. 27		

NOTE:

- 1.The primary coating and secondary coating have the same color
- 2.Loose buffered,easy strip type at least 1m
- 3.ROHS 2.0 (EU)/2015/863 and REACH compliant

MATERIAL LIST:

⑬	LC White Dust Cap	12	
⑮	LC/APC 8° SM Ferrule 125-126um	12	
⑭	LC SM Green 0.9 Connector	12	
⑬	LC 0.9 Green Boot	12	
⑫	Fiber Cable LOOSE TUBE SM 9/125 G657.A2 0.9mm TURQUOISE LSZH	Xm	
⑪	Fiber Cable LOOSE TUBE SM 9/125 G657.A2 0.9mm PINK LSZH	Xm	
⑩	Fiber Cable LOOSE TUBE SM 9/125 G657.A2 0.9mm VIOLET LSZH	Xm	
⑨	Fiber Cable LOOSE TUBE SM 9/125 G657.A2 0.9mm YELLOW LSZH	Xm	
⑧	Fiber Cable LOOSE TUBE SM 9/125 G657.A2 0.9mm BLACK LSZH	Xm	
⑦	Fiber Cable LOOSE TUBE SM 9/125 G657.A2 0.9mm RED LSZH	Xm	
⑥	Fiber Cable LOOSE TUBE SM 9/125 G657.A2 0.9mm WHITE LSZH	Xm	
⑤	Fiber Cable LOOSE TUBE SM 9/125 G657.A2 0.9mm GREY LSZH	Xm	
④	Fiber Cable LOOSE TUBE SM 9/125 G657.A2 0.9mm BROWN LSZH	Xm	
③	Fiber Cable LOOSE TUBE SM 9/125 G657.A2 0.9mm GREEN LSZH	Xm	
②	Fiber Cable LOOSE TUBE SM 9/125 G657.A2 0.9mm ORANGE LSZH	Xm	
①	Fiber Cable LOOSE TUBE SM 9/125 G657.A2 0.9mm BLUE LSZH	Xm	
NO.	SPECIFICATION STANDARD	QT' Y	REMARK



Type	Single-Mode
Insertion Loss	≤0.3dB (IEC 61300-3-4)
Return Loss	≥60dB (IEC 61300-3-6)
Test Wavelength	1310nm
Group Refractive Index	1.466@1310nm 1.467@1550nm

SYNERGY 21									
CUSTOMER						ITEM NO.	see the chart		
PRODUCT NAME	Pigtail LC/APC SM 9/125 μm 12 set coloured		manufacture country		CHINA	UNIT	MM		
DRAWNBY	CHECKBY	APPOBY		DATE					
SYNERGY 21	SYNERGY 21	SYNERGY 21		2021-12-06					


				2021-12-06	A				
BY	CHK	REVISION RECORD MODIFICATIONS			DATE	REV.	SYNERGY 21	SYNERGY 21	SYNERGY 21

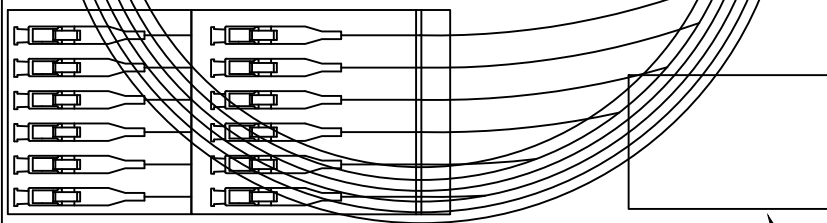
NEW

Chart:

ITEM NO.	LENGTH.	Artikel NO.	PACKING
S215594V2	1.5M	127270	1pc/SYNERGY 21 A bag/test report+label

### SYNERGY 21

TEST REPORT			
Batch No.		Attention: Please clean the fiber surfaces! Achtung: Bitte reinigen die Steckverbindungen!	
Artikel NO.			
ITEM Number			
Description			
Notes			
Min. Bending Radius (mm)	Static: 10MD Dynamic: 20MD	D: Cable Diameter	
Fiber Type	G 862-D	Must be the same type of fiber to splice.	
Index of Refraction	1310nm: 1550nm:		
TEST VALUES			
Standard (Back to Reference)	Allow Loss λ=1310nm		
	Insertion Loss (IEC 61300-3-4)	<= 0.30dB	Return Loss (IEC 61300-3-6) UPC >= 50dB
1	blue		
2	orange		
3	green		
4	brown		
5	grey		
6	white		
7	red		
8	black		
9	yellow		
10	violet		
11	pink		
12	turquoise		
<b>RESULT</b>		<b>OK</b>	

Label

### SYNERGY 21

CUSTOMER		ITEM NO.	see the chart		
PRODUCT NAME	Pigtail LC/APC SM 9/125 μm 12 set coloured	manufacture country	CHINA	UNIT	MM
DRAWNBY	CHECKBY	APPOBY	DATE		
SYNERGY 21	SYNERGY 21	SYNERGY 21	2021-12-06		

		NEW	2021-12-06	A
BY	CHK	REVISION RECORD MODIFICATIONS	DATE	REV.