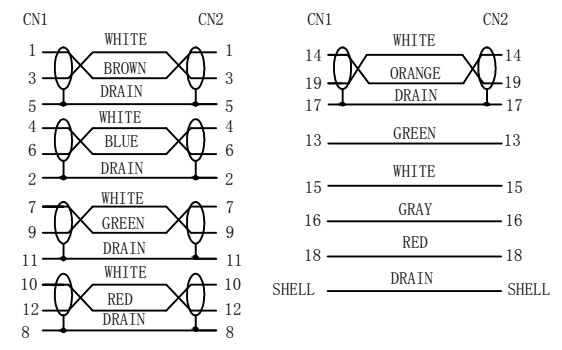


PIN OUT



NOTE:

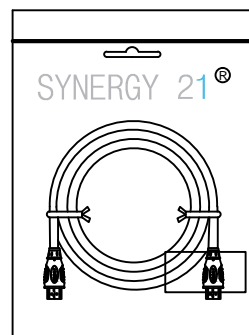
1. Electrical test:
 - (1). 100% open short & miss wire test;
 - (2). Insulation resistance: DC 300V 10M ohm;
 - (3). Contact resistance: 3 ohm;
 - (4). Dielectric strength: 150V AC/Sec, 1mA.
 - (5) HD-TV TEST 4k*2k 60hz
2. RoHS2.0 AND REACH COMPLIANT
3. PRINT WORD: High Speed HDMI® Cable with Ethernet P-19
4. PACKING: 1PCS/SYNERGY 21 BAG+LABEL

MATERIAL LIST:

④	OUTER MOLD	PVC 88A Black	2	
③	INNER MOLD	LD-PE	2	
②	HDMI Connector	19P A/M Crimping Type The Pin Gold Plated, The Shell Gold Plating	2	
①	CABLE	HDMI (1/30AWGCCS*1P+E+A+MYLAR)*5+1/30AWG CCS*4C+AE PVC/Black OD:6.0±0.2mm	1	
NO.	PARTS NAME	SPECIFICATION STANDARD	QT' Y	REMARK

ITEM NO	LENGTH	PACKING
S215412	500 ± 30mm	SYNERGY 21 Bag A
S215413	1000 ± 30mm	SYNERGY 21 Bag A
S215414	2000 ± 50mm	SYNERGY 21 Bag A
S215415	3000 ± 70mm	SYNERGY 21 Bag B
S215417	1500 ± 30mm	SYNERGY 21 Bag A

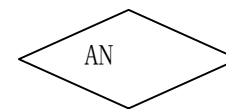
NO.		PARTS NAME	SPECIFICATION STANDARD	QT' Y	REMARK	SYNERGY 21				
Alvan	Alvan	Revise Moulding		2019-03-06	A3	CUSTOMER		ITEM NO.	See The Chart	
		UPDATE PACKING TYPE		2018-03-20	A2	PRODUCT NAME	HDMI2.0 Cable with Ethernet, AM/AM, black color	manufacture country:	CHINA	UNIT MM
		Add NEW ITEM NO. :S215417		2017-04-07	A1	DRAWNBY	CHECKBY	APPROVE	DATE	
		NEW		2016-08-09	A	SYNERGY 21	SYNERGY 21	SYNERGY 21	2018-03-20	
BY	CHK	REVISION RECORD MODIFICATIONS		DATE	REV.	SYNERGY 21	SYNERGY 21	SYNERGY 21	2018-03-20	



SYNERGY 2: Colour pantone 877C
 1: Colour pantone 298C
 ®: Colour pantone Black
 Bag thickness single side:0.05mm

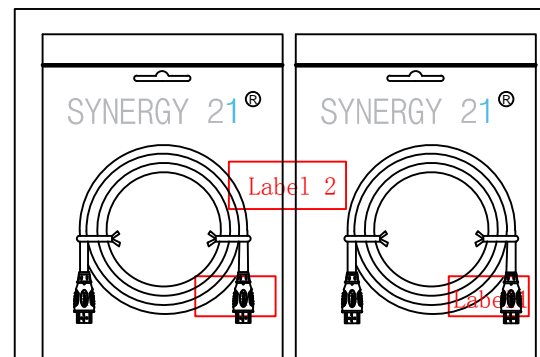
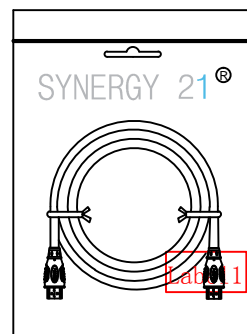
master mark

side mark



REACH and ROHS 2.0 Compliant
 MADE IN CHINA

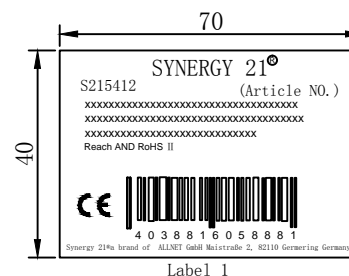
Item no:
 Q' TY:
 PO NO.
 Carton no.
 G. W



1pcs/SYNERGY 21 Bag+label 1

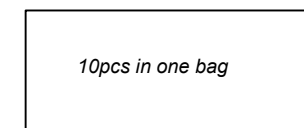
1pcs/SYNERGY 21 Bag+label 1, 10pcs/pe bag+label 2

Labeling example 1

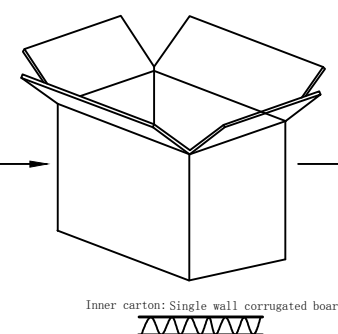
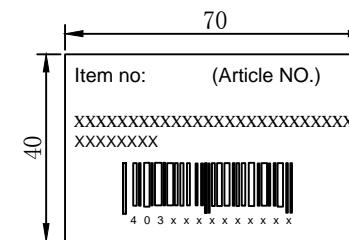


Label 1

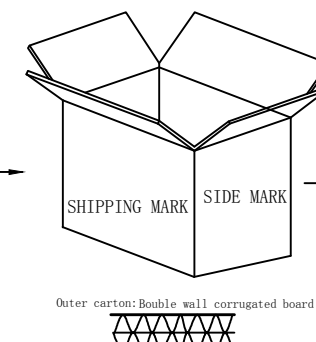
Labeling example 2



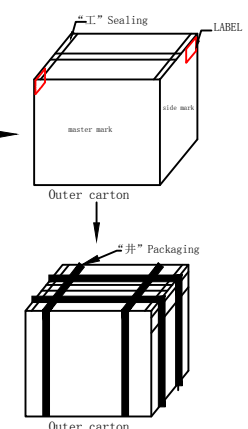
Labeling example 3



Inner carton: Single wall corrugated board



Outer carton: Double wall corrugated board



1. Packing: IPC/SYNERGY 21 Bag +LABLE 1, 10PCS/PE bag+LABLE 2, inner carton +outer carton+LABLE3
2. “工” type sealing
3. “井” type packaging

		Revise Moulding	2019-03-06	A3	SYNERGY 21					
		UPDATE PACKING TYPE	2018-03-20	A2	CUSTOMER		ITEM NO.	See The Chart		
		Add NEW ITEM NO. :S215417	2017-04-07	A1	PRODUCT NAME	PACKING	manufacture country:	CHINA	UNIT	MM
		NEW	2016-08-09	A	DRAWNBY	CHECKBY	APPROVE	DATE		
BY	CHK	REVISION RECORD MODIFICATIONS	DATE	REV.	SYNERGY 21	SYNERGY 21	SYNERGY 21	2019-03-06		