

## Materials:

Outlet Housing: Fireproof ABS /Colour:White RAL9010

Outlet Base:Firepfoof ABS /Colour:White RAL9010

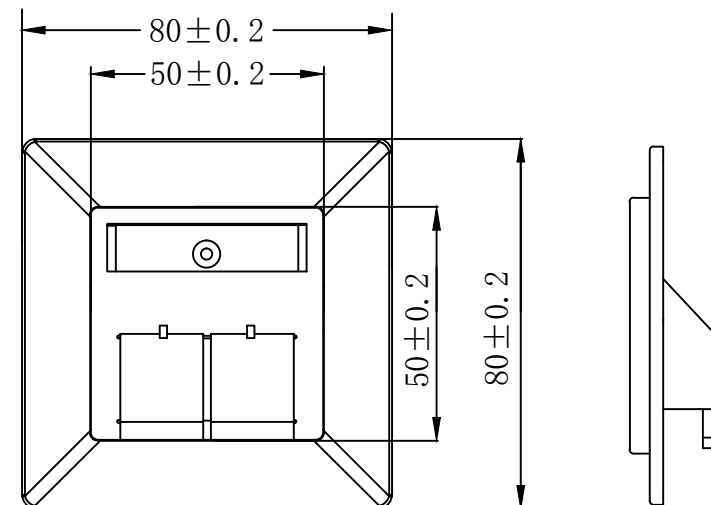
Metalic Plate:Al&Zn Alloy /Al&Zn Alloy,

### ACCESSORY :

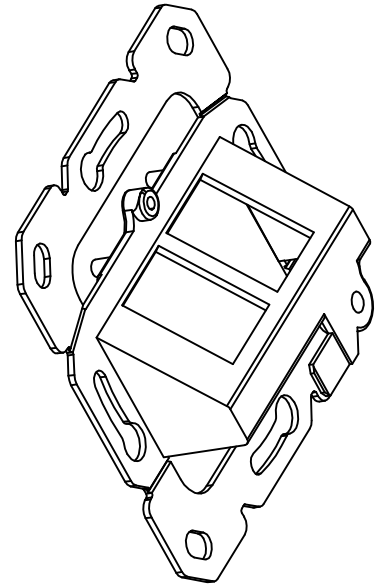
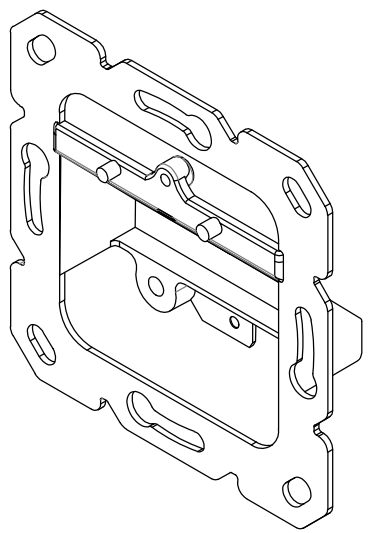
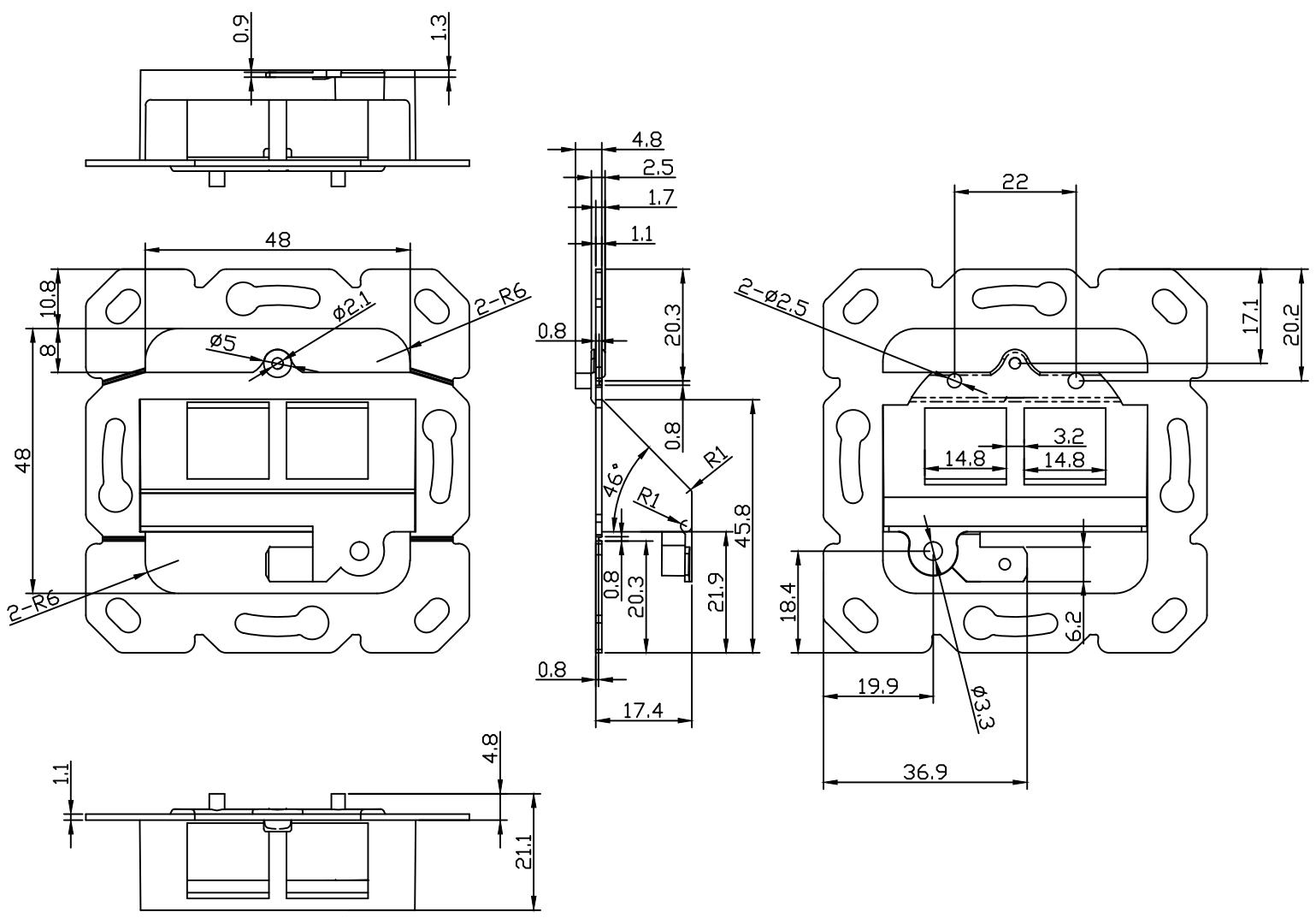
1. Label
2. Plastic gasket
3. Screw:M2. 4\*6\*1Pcs

PACKING:1pcs/PE bag+lable1, 12pcs/box+lable2, 120pcs/ctn+lable1

RoHS 2.0 And REACH Compliant

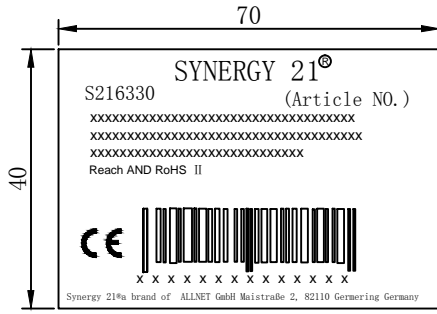


SYNERGY 21												
		CUSTOMER			ITEM NO.			S216330				
		UPDATE PACKING TYPE			2018-03-20	A1	PRODUCT NAME	Faceplate Germany 2PORT	manufacture country	China	UNIT	MM
		NEW			2015-02-11	A	DRAWNBY		CHECKBY	APPOBY	DATE	
BY	CHK	REVISION RECORD MODIFICATIONS			DATE	REV.	SYNERGY 21	SYNERGY 21	SYNERGY 21	SYNERGY 21	2018-03-20	

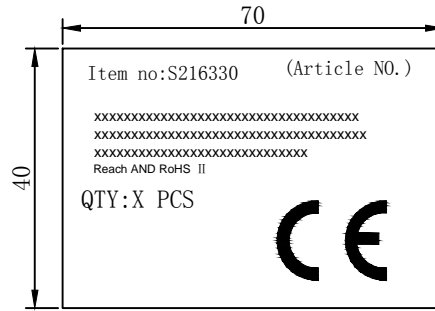


SYNERGY 21

		CUSTOMER		ITEM NO.		S216330	
		PRODUCT NAME		Faceplate Germany 2PORT		manufacture country	
		DATE		2018-03-20		A1	
		DATE		2015-02-11		A	
		DRAWNBY		CHECKBY		APPOBY	
		SYNERGY 21		SYNERGY 21		SYNERGY 21	
		DATE		2018-03-20		UNIT	
		MM		China		DATE	
		REVISION RECORD MODIFICATIONS		DATE		REV.	
		BY		CHK		2018-03-20	
		UPDATE PACKING TYPE		2018-03-20		A1	
		NEW		2015-02-11		A	



Label 1



Label 2

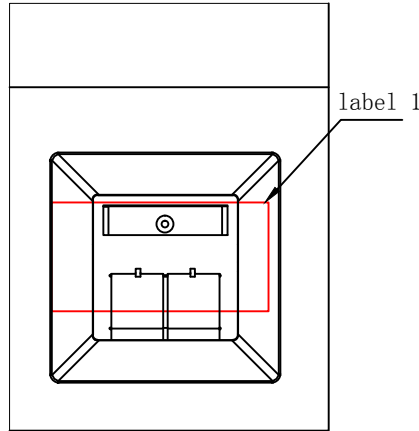
SHIPPING MARK



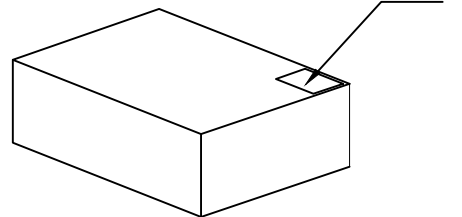
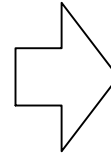
PO NO. :  
REACH and ROHS 2.0 Compliant  
MADE IN CHINA

SIDE MARK

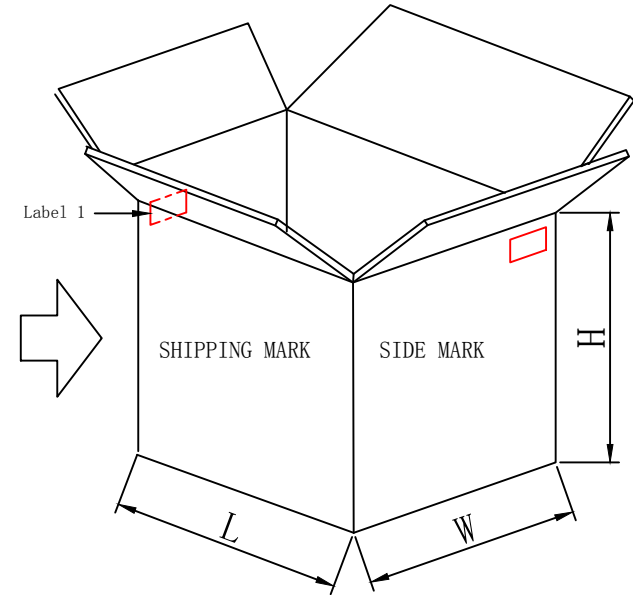
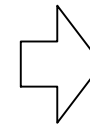
PO NO. :  
Item no:  
Q' TY:  
N. W  
G. W  
Carton no.  
MEAS.



1PCS/PE bag+label1



12pcs/box+label2



120pcs/ctn+label 1

- NOTE:**
- 1. Packing: 1pcs/PE bag+label 1, 12pcs/box+label 2, 120pcs/ctn+label 1
  - 2. “工” type sealing
  - 3. “井” type packaging

SYNERGY 21									
CUSTOMER					ITEM NO.		S216330		

		UPDATE PACKING TYPE	2018-03-20	A1
		NEW	2014-09-25	A
BY	CHK	REVISION RECORD MODIFICATIONS	DATE	REV.

PRODUCT NAME	PACKING	manufacture country:	china	UNIT	MM
DRAWNBY	CHECKBY	APPOBY	DATE		
SYNERGY 21	SYNERGY 21	SYNERGY 21	2018-03-20		