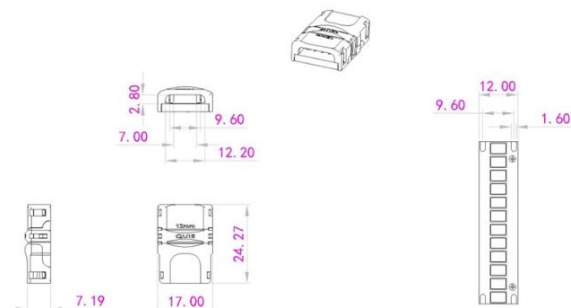


## Synergy 21 LED FLEX Strip add. Simple connection of strip and wire 12mm HD



Synergy 21 LED FLEX Strip add. Easy Connect Strip to Wire High Density Strip use like 240LEDs no wire, 2 pin, DC3V-24V / 5A; for PCB width: 12mm single colour Solderpad: 2 5pcs per paper box

## Additional Images



## Accessories

Part No.	Name
----------	------

---