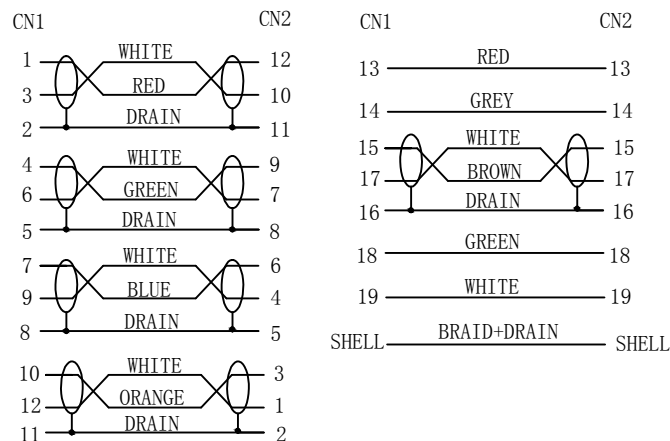


## PIN OUT



## 1. Electrical test:

- (1). 100% open short & miss wire test;
- (2). Insulation resistance: DC 300V 10M ohm min;
- (3). Contactor resistance: 3 ohm max;
- (4). Dielectric strength: 150V AC/Sec, 1mA.
- (5). Displayport practical application Test Pass 5k\*3k@60HZ

## 2. ROHS 2.0 AND REACH COMPLIANT

3. PRINT WORD: 5K×3K DisplayPort Cable E\*\*\*\*\* 兄 AWM STYLE  
20276 80°C 30V VW-1

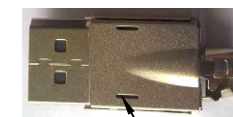
## 4. DP1.3V version

5. Storage temperature: -20°C~+75°C

6. Operation temperature: -10°C~+60°C

7. Display port Connector without DP logo

8. PACKING: 1PC/SYNERGY 21 Bag+lable



IRON SHELL SHIELDING

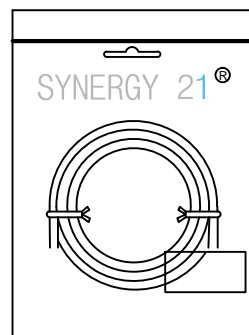
## MATERIAL LIST:

NO.	PARTS NAME	SPECIFICATION DESCRIPTION	QT' Y	REMARK
⑥	DUST CAP	LD-PE WHITE	2	
⑤	TUBE END	BLACK PVC 45P	2	
④	INNER COVER	LD PE And Iron Shell Shielding	2	
③	HOUSING	ABS assembly Black	2	
②	CONNECTOR	DP 20P/M WITH LATCHING SOLDER TYPE, BLACK INSULATION, THE PIN GOLD PLATED, THE SHELL FOR GOLD PLATED	2	
①	CABEL	DP 1.3V (28AWG BC*1P+E+AL+MYLAR)*5+28AWG BC*4C+AEB JACKET: PVC/BLACK OD: 7.3 ± 0.2mm	1	

ITEM NO.	LENGTH (mm)	Rolled diameter	Packing
S215441V2	3000 ± 50	130 ± 10mm	SYNERGY 21 B Bag
S215446V2	5000 ± 50	130 ± 10mm	SYNERGY 21 B Bag

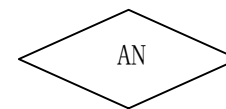
## SYNERGY 21

CUSTOMER		ITEM NO.	SEE THE CHART		
PRODUCT NAME	DP1.3V Male-Male assembly w/interlock	manufacture country:	CHINA	UNIT	MM
BY	CHK	NEW	2019.03.07	A	
BY	CHK	REVISION RECORD MODIFICATIONS	DATE	REV.	
		DRAWNBY	CHECKBY	APPOBY	DATE
		SYNERGY 21	SYNERGY 21	SYNERGY 21	2019.03.07



SYNERGY 2: Colour pantone 877C  
 1: Colour pantone 298C  
 ®: Colour pantone Black  
 Bag thickness single side:0.05mm

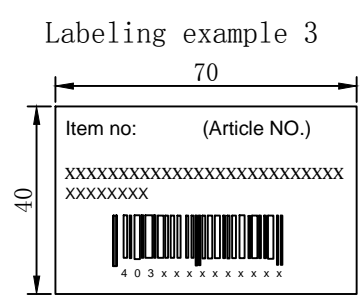
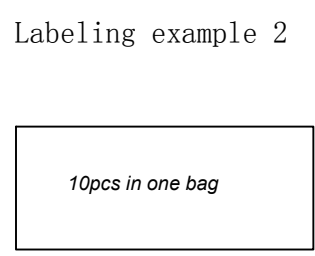
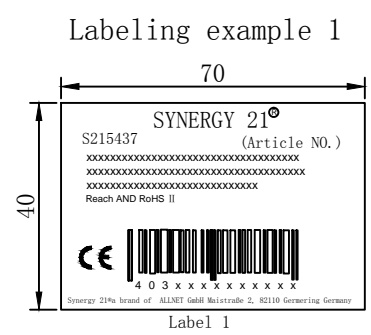
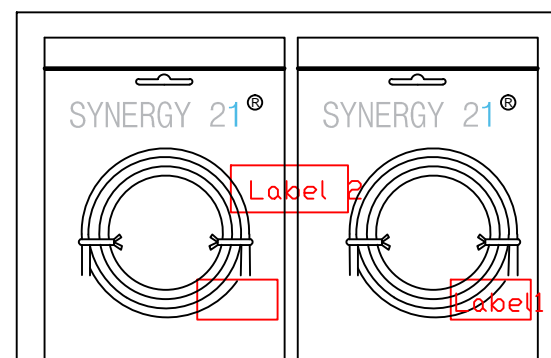
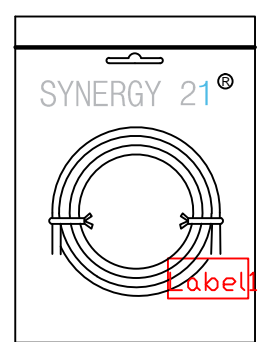
master mark



REACH and ROHS 2.0 Compliant  
 MADE IN CHINA

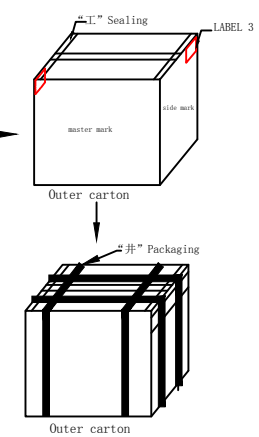
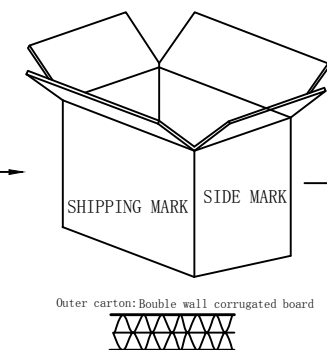
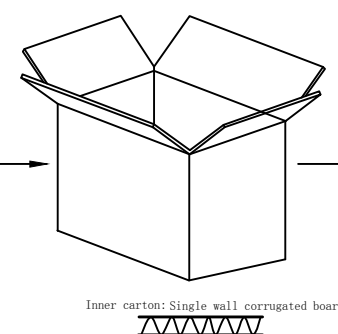
side mark

Item no:  
 Q' TY:  
 PO NO. :  
 Carton no.  
 G. W



1pcs/SYNERGY 21 Bag+label 1

1pcs/SYNERGY 21 Bag+label 1,10pcs/pe bag+label 2



- 1.Packing:1PC/SYNERGY 21 Bag +LABEL 1, 10PCS/PE bag+LABEL 2, inner carton +outer carton+LABEL 1
2. “工” type sealing
3. “井” type packaging

SYNERGY 21					
CUSTOMER		ITEM NO.	See The Chart		
PRODUCT NAME	PACKING	manufacture country:	CHINA	UNIT	MM
		APPROVE	DATE		
BY	CHK	SYNERGY 21	SYNERGY 21	SYNERGY 21	2019-03-07

		NEW	2019-03-07	A	DRAWNBY	CHECKBY	APPROVE	DATE
BY	CHK	REVISION RECORD MODIFICATIONS	DATE	REV.	SYNERGY 21	SYNERGY 21	SYNERGY 21	2019-03-07