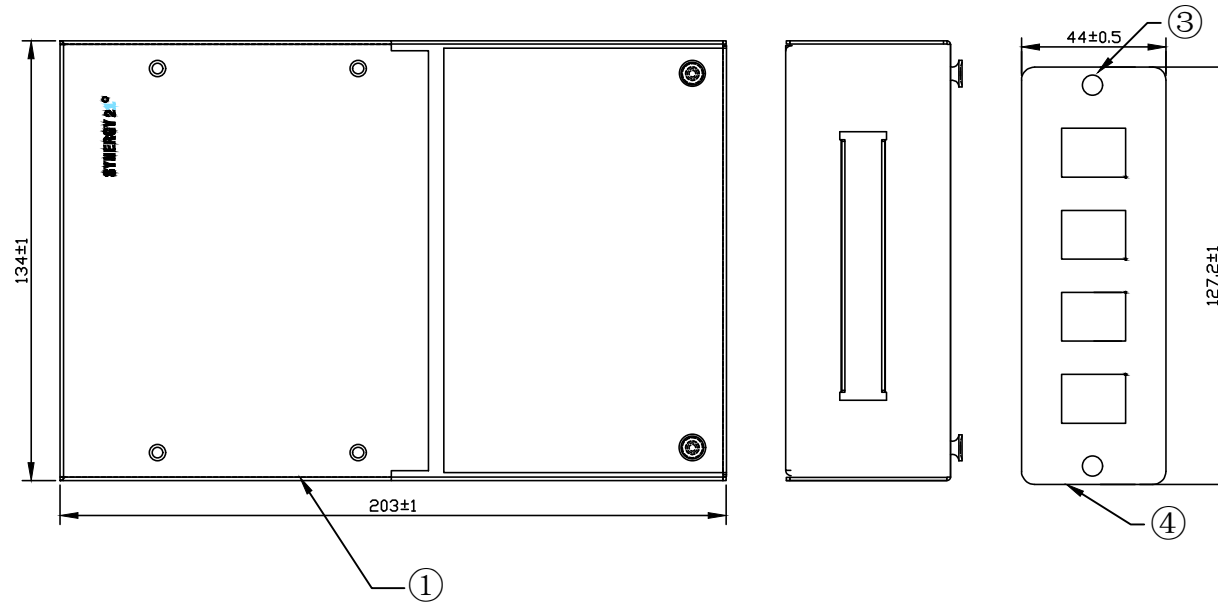
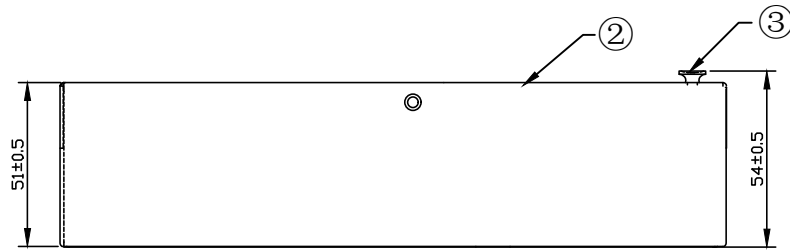


SYNERGY 21[®]

"SYNERGY 2 [®] " for black printing The pantone of Color is grey
 "1" for blue printing The pantone of Color is 298C



NOTE:

1. Suitable for copper and fiber optic technology
2. Expandable for installation on DIN rails with optional accessories (S216385)
3. Cable input and cable output with cable management and dust-proof foam
4. Protection type: IP20
5. RoHS3.0 AND REACH COMPLIANT
6. Storage temperature : -20°C--+80°C
7. Operation temperature: -10°C--+60°C
8. Packing:1pc/Box+label

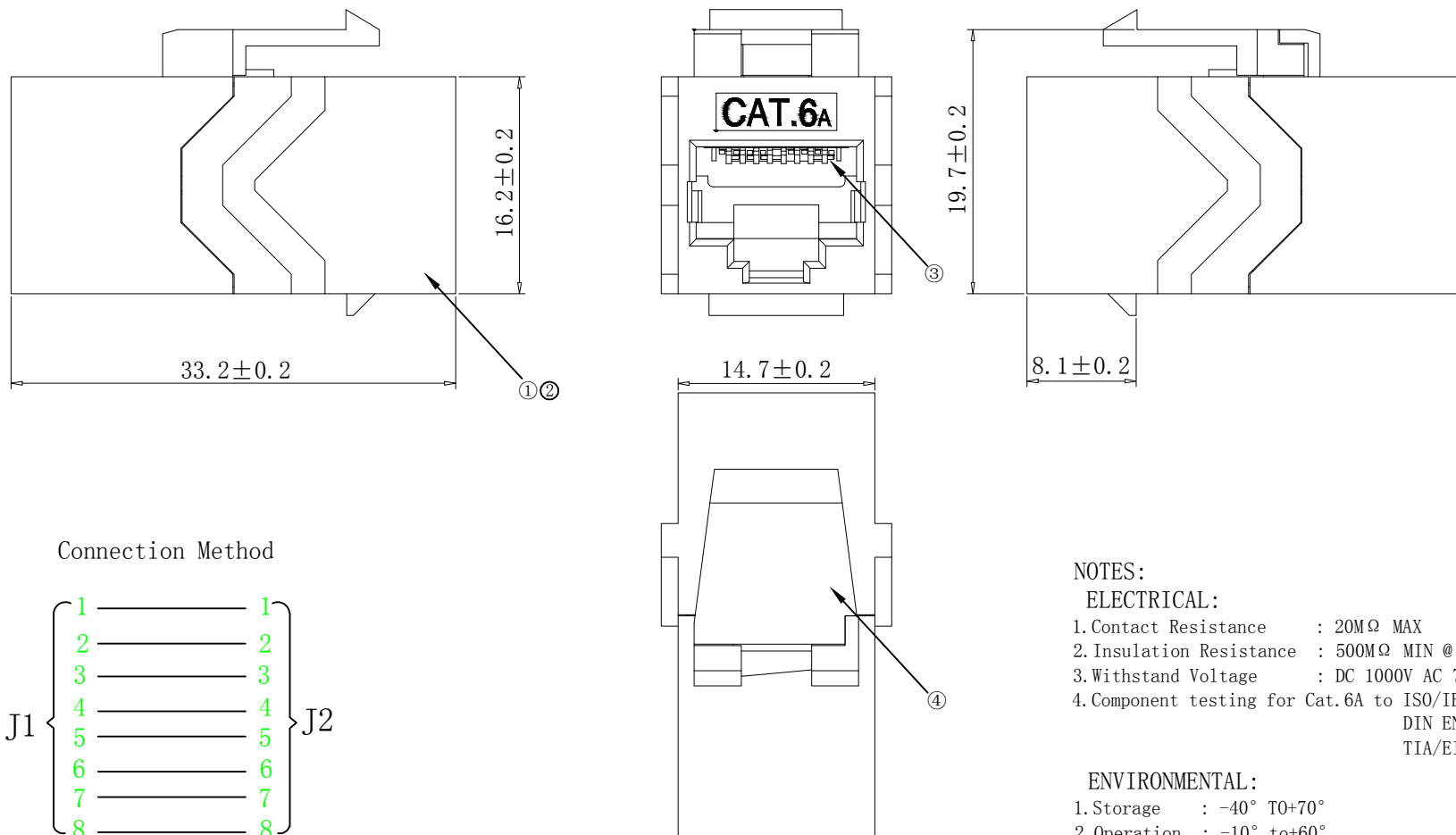
MATERIAL LIST:

④	Panel	4port for RJ45 Keystone modules SPCC T=1.0MM with plastic powder cladding	1	
③	Push and pull buckle	BLACK	4	
②	Top Cover	SPCC T=1.0MM with plastic powder cladding	1	
①	Bottom Panel	SPCC T=1.0MM with plastic powder cladding	1	
NO.	PARTS NAME	SPECIFICATION DESCRIPTION	QT' Y	REMARK
		NEW	2023-03-27	A
BY	CHK	REVISION RECORD MODIFICATIONS	DATE	REV.

SYNERGY21

CUSTOMER		ITEM NO.		S216383		
PRODUCT NAME		Consolidation Point Box		manufacture country:		CHINA
DRAWNBY		CHECKBY		APPOBY		DATE
SYNERGY21		SYNERGY21		SYNERGY21		2023-03-27

UNIT MM



NOTES:

ELECTRICAL:

- Contact Resistance : 20MΩ MAX
- Insulation Resistance : 500MΩ MIN @ 500V DC
- Withstand Voltage : DC 1000V AC 700V RMS 60Hz, 1MIN
- Component testing for Cat.6A to ISO/IEC 11801 Ed. 2.2:2011-06
DIN EN 50173-1:2011-09
TIA/EIA-568-C.2 (2009-08)

ENVIRONMENTAL:

- Storage : -40° TO+70°
- Operation : -10° to+60°

MECHANICAL

- RJ45 Contact Life: 750 Times Min
- Plug inforce:<30N

RoHS 2.0 and REACH Compliant

PACKING:1PCS/PE bag+1able1,10PCS/PE Bag+1able 2, 50PCS/small box, xxPCS/CTN+LABEL 3

MATERIAL LIST:

④	Shrapnel	PC White	1	
③	Contact	8P8C Gold Plated	16	
②	Housing	Zinc Alloy	1	
①	PCB	FR-4, t=0.8	1	
NO	MAT. NAME	DESCRIPTION	QT' Y	REMARK

SYNERGY 21									
CUSTOMER		AN		ITEM NO.		S216317V3			
PRODUCT NAME		CAT. 6A STP RJ45 F/F Coupler Keystone jack Type Zinc Alloy Housing		manufacture country:		CHINA	UNIT	MM	
NEW		2019/09/03		A0		DRAWNBY		CHECKBY	
APPOBY		DATE		SYNERGY 21		SYNERGY 21		SYNERGY 21	
BY		CHK		REVISION RECORD MODIFICATIONS		DATE		REV.	
						SYNERGY 21		2019/09/03	