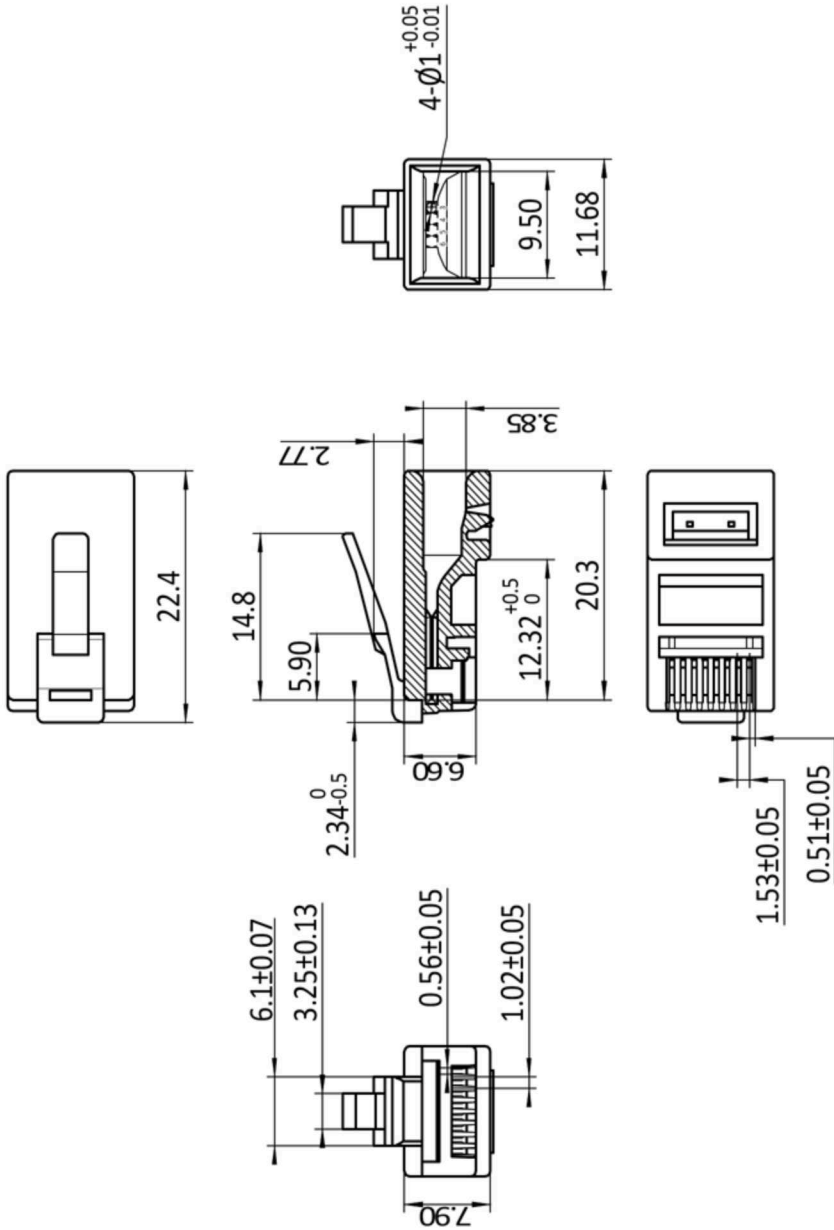


REVISED	DR	APP



Performance Remark:

- Environmental:**
Compliant with RoHS and Reach
- Electrical:**
 - 250V AC max, at 2A
 - Dielectric withstanding 1000V DC/min, <0.5A
 - Insulation Resistance: >500MΩ, 1000V DC/min.
 - Contact Resistance: <20 MΩ
- Mechanical:**
 - Cable to plug tensile strength: 20lbs(89N)min.
 - Durability: above 750 mating cycles
- Temperature for operation:**
-40°C to +125°C
- Material:**
Housing material: Polycarbonate UL94V-0 or 94V-2.
Color: transparent or colorful can be for choices.
Gold plating thickness: From gold flash to 50U" are all available.
- Fit for 24/26AWG cable, but detailed will depend on the actual wire and cable OD.



DRAWING SHOWS 72054!
(Flatcable)

1	CONNECTORS	WESTERN PLUG RJ45 8/4 - GOLD PLATED PINS
2	MOLDING	
3	CABLE	ROUNDCABLE
NO	PART NAME	

DESCRIPTION		WESTERN PLUG RJ45 8/4 - GOLD PLATED PINS			
		SIZE A4	DATE	CHECKED	TOL
UNIT	MM	DRAWN	R.Hueller	APPROVED	
CUSTOM TARIFF NO.:		85366990990			
		72054-R			