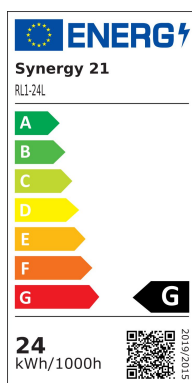


## Synergy 21 LED LoRa (433MHz) wallwasher 24W RGB+CCT IP66 \*Milight/Miboxer\*



kwh/1000h:	24,00
Lumens:	1800
Watt:	24,0
Nominal Service Life:	35000 Std.
Switching Cycles:	50000
Opt. Ambient Temperature.:	25 °C



Product Name: 24W RGB+CCT LED Wall Washer Light

( LoRa 433MHz )  
Model No.: RL1-24L  
Power: 24W  
Input Voltage: AC100~240V 50/60Hz  
Working Temperature: -20~60°  
RF: 433MHz  
Modulation Method: LoRa spread spectrum  
Control distance: 2000m  
Colour temperature: 2700K~6500K  
Luminous Flux: 1800LM  
Light Efficiency: 75LM/W  
CRI: >80  
PF: >0.9  
Lifespan: 50000h  
Beam Angle: 15\*60°  
Illumination distance: >15m  
IP Rate: IP66  
Dimension: 1017mm + 59mm Antenna + x 62mm x 64mm

Energy efficiency class: A  
kWh/1000h: 24

## Attributes

Attribute	Value
Abstrahlwinkel:	15*60
Dimmbar:	Ja
Grösse:	1017*64*62
LED - Gehäusematerial:	Aluminium
Lichtfarbe:	RGB-WW
Lichtfarbe in Kelvin:	2700~6500
Lumen:	1800
Schutzklasse:	IP66
Volt:	230
Weight:	1.5 Kg
Warranty:	24.00 Months

## Additional Images





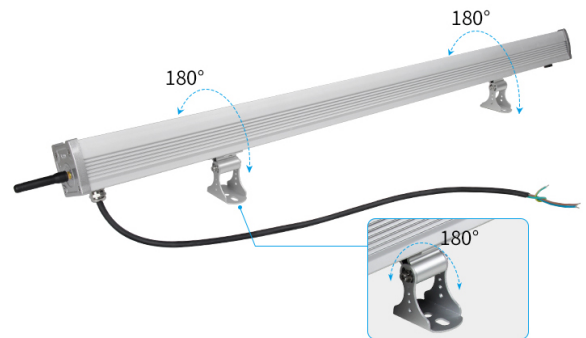
### Support Smart phone APP control and third party voice control

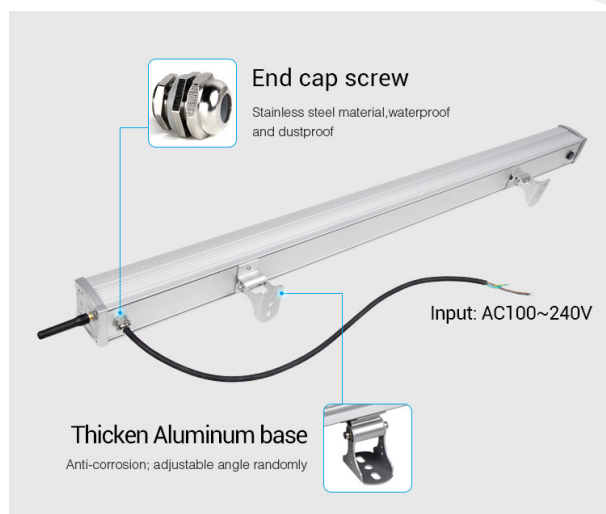
It need 433MHz Gateway for smart phone control or third party voice control



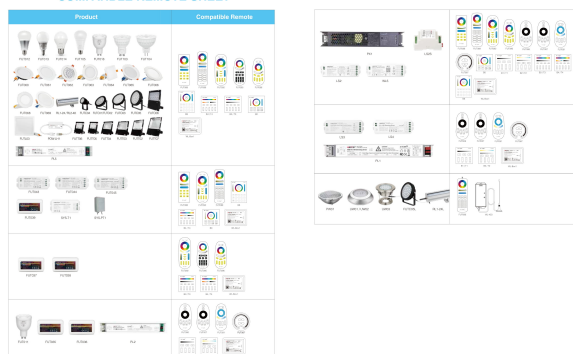
### 180° rotatable bracket

180° rotatable bracket; Adjustable randomly; Easy adjust the beam angle





#### COMPATIBLE REMOTE SHEET



## Accessories

Part No.	Name
178057	Synergy 21 LED LoRa (433MHZ) poollight 15W RGB+CCT *Milight/Miboxer*
178058	Synergy 21 LED LoRa (433MHZ) controller DMX LoRa *Milight/Miboxer*
178059	Synergy 21 LED LoRa (433MHZ) pool light 27W RGB+CCT *Milight/Miboxer*
178060	Synergy 21 LED LoRa (433MHZ) pool lamp 9W RGB+CCT *Milight/Miboxer*
178061	Synergy 21 LED LoRa (433MHZ) PAR56 pool light 27W RGB+CCT *Milight/Miboxer*
178062	Synergy 21 LED LoRa (433MHZ) remote *Milight/Miboxer*

Part No.	Name
178154	Synergy 21 LED LoRa (433MHZ) garden lamp 25W RGB-WW with RF IP66 230V *Milight/Miboxer*
178172	Synergy 21 LED LoRa (433MHZ) wallwasher 24W RGB+CCT IP66 *Milight/Miboxer*